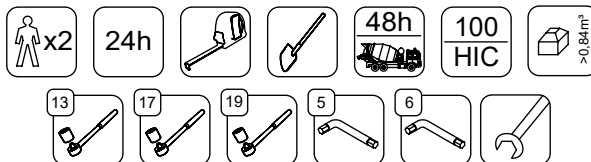
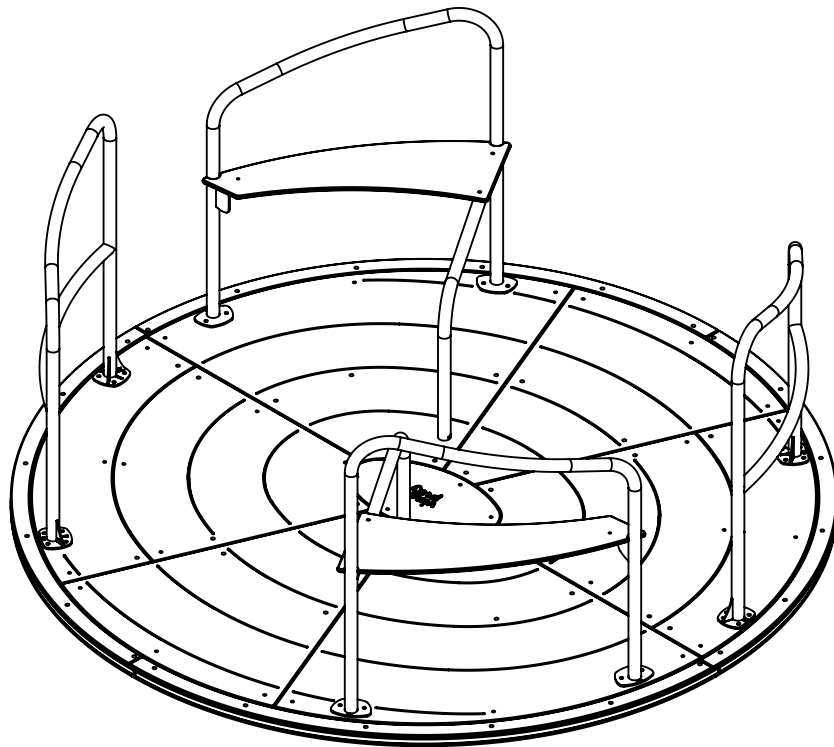
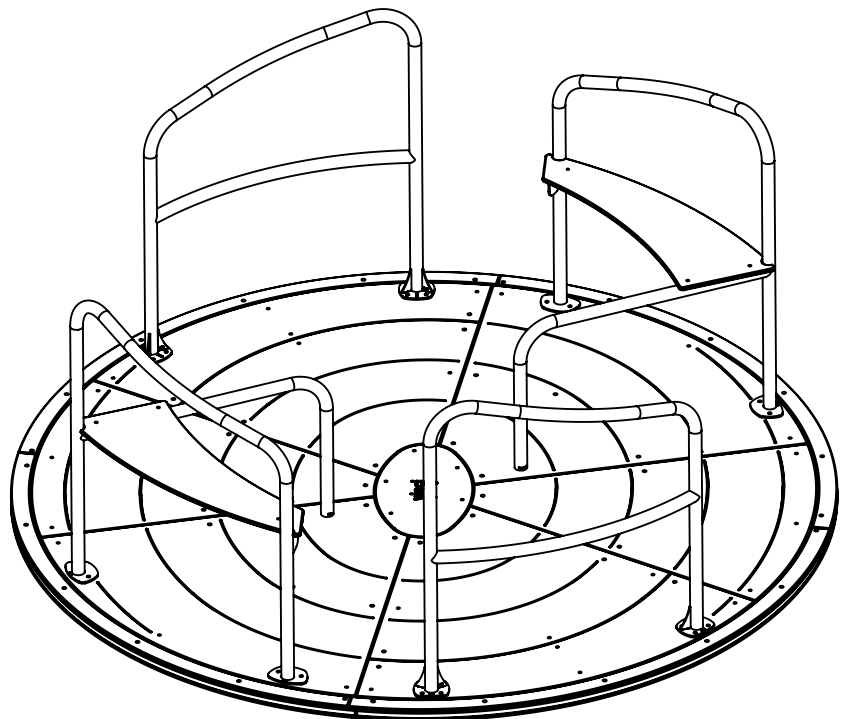
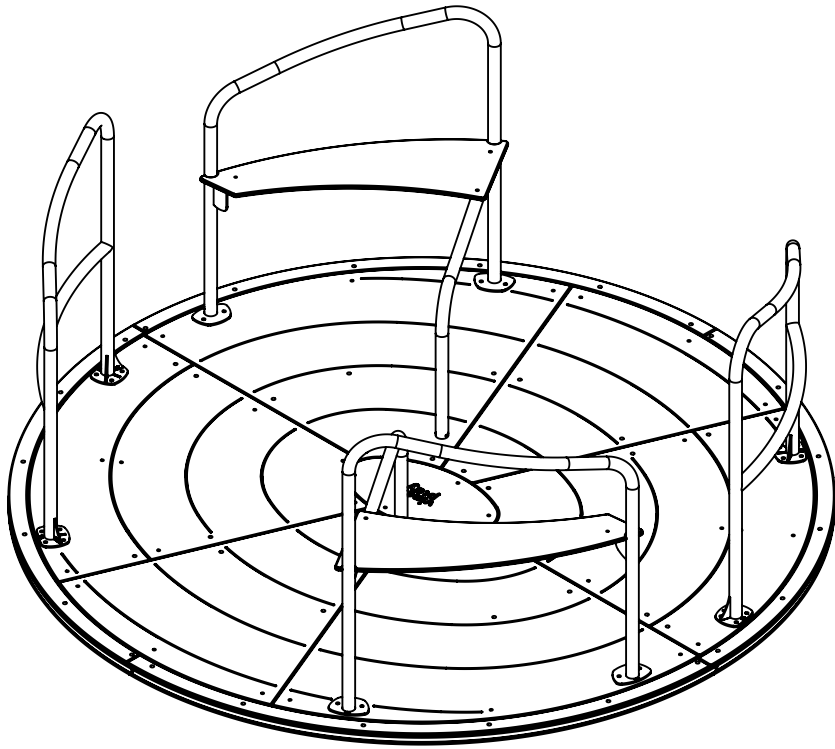


# 0728



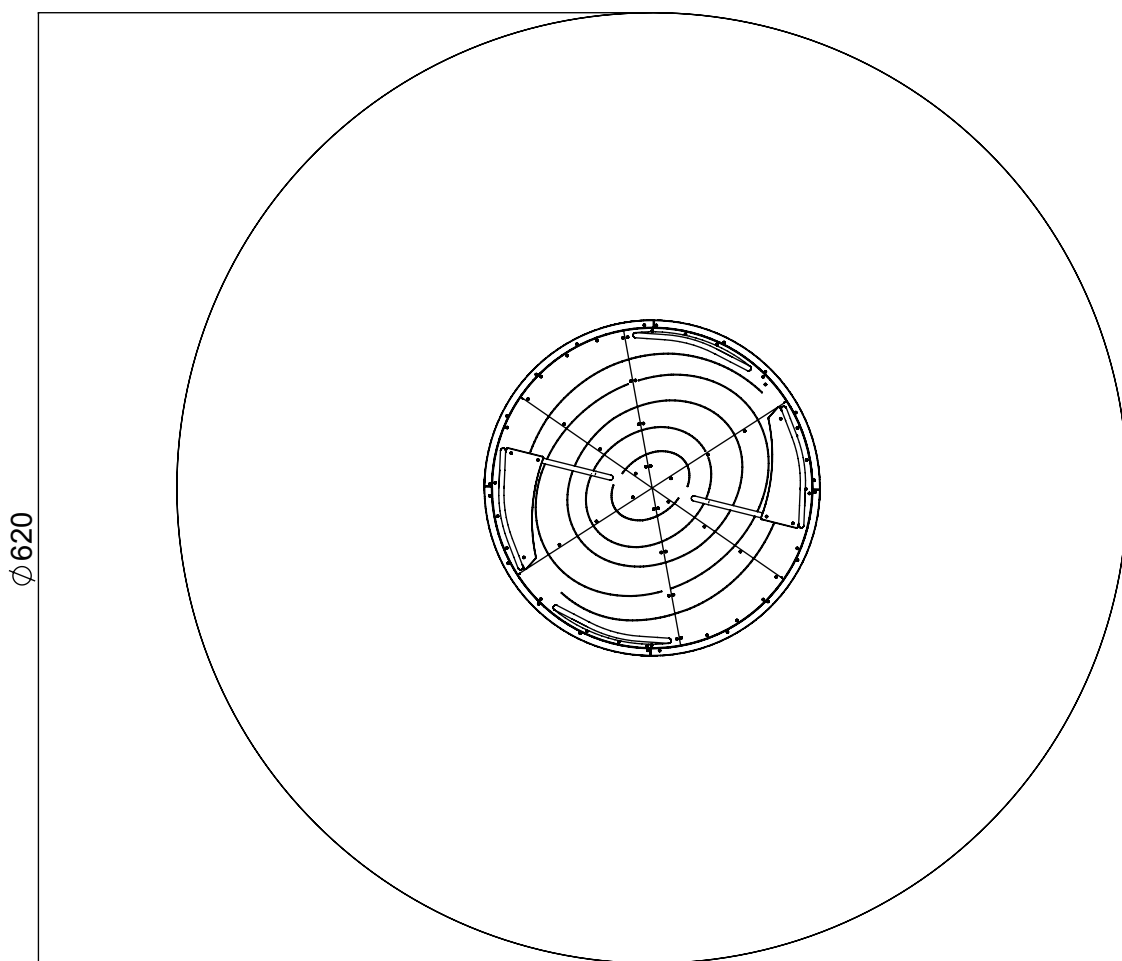
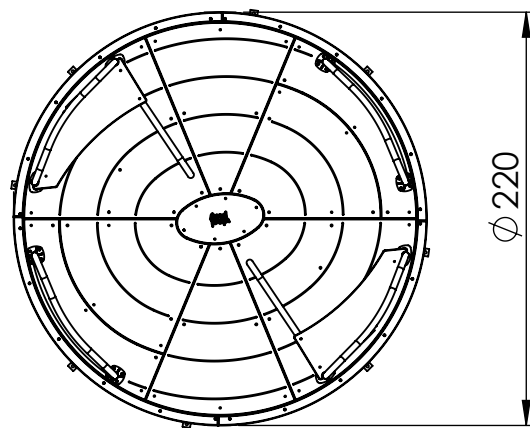
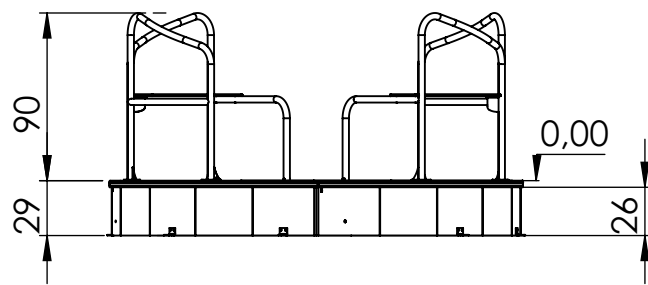
v010  
08.01.2021  
I.A.  
[cm]

vinci  
play



[cm]

vinci  
play

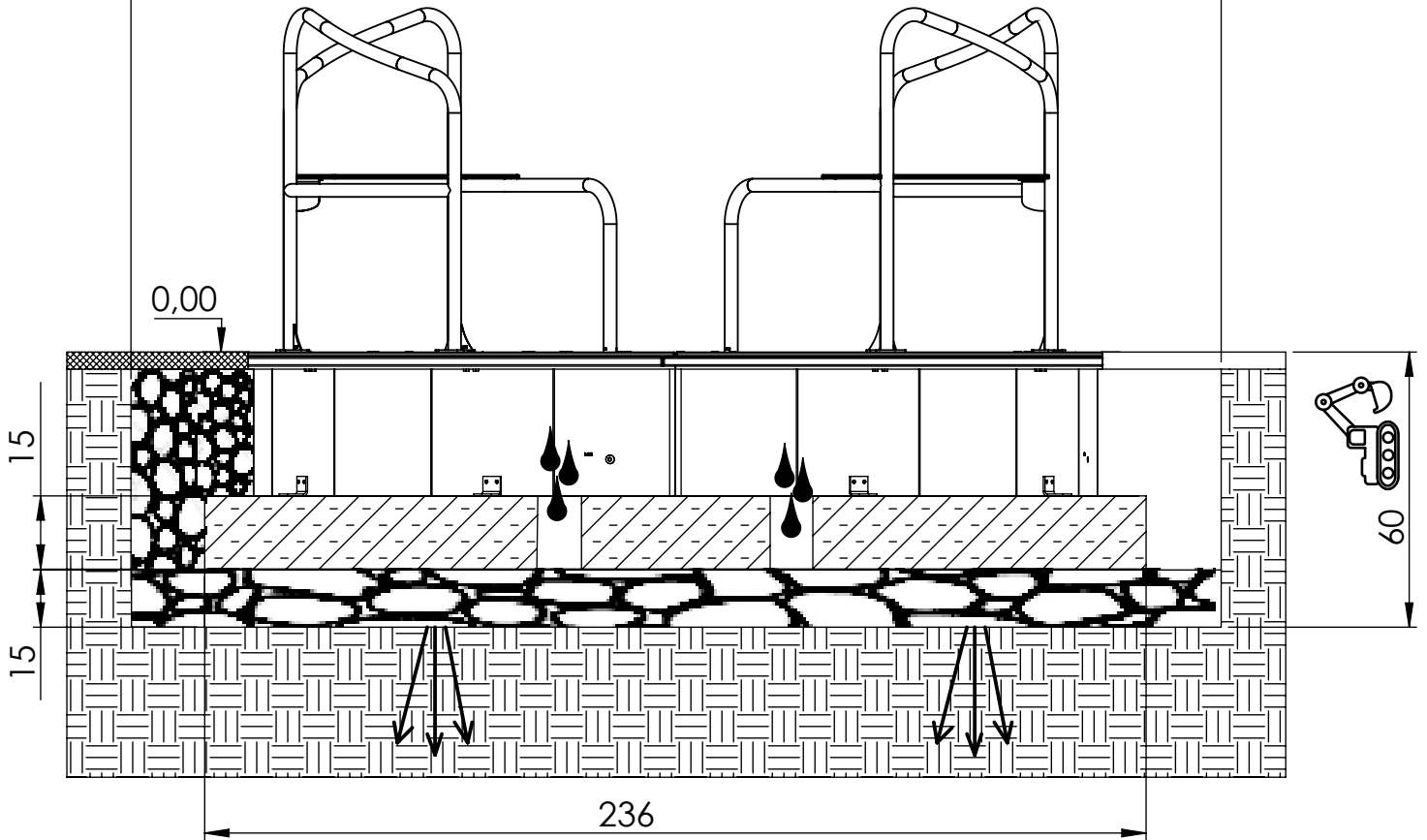


[cm]



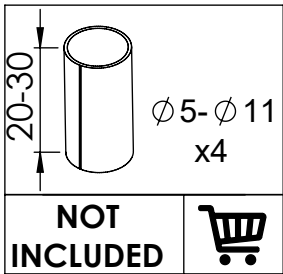
vinci  
play

Ø 362

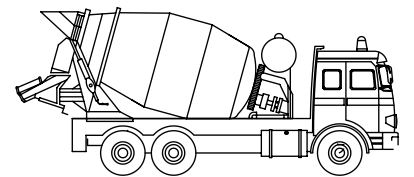
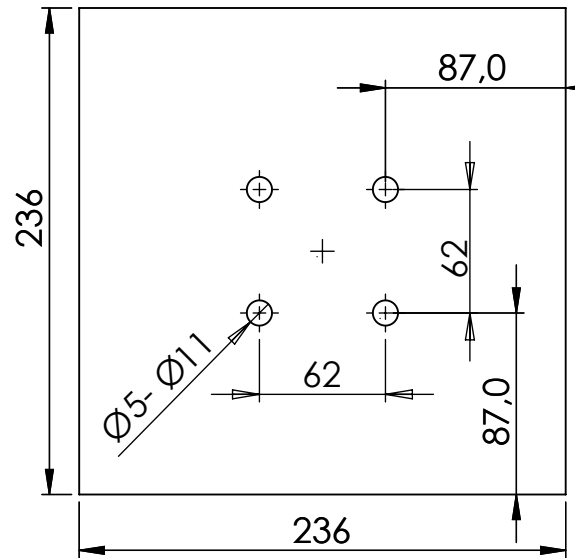
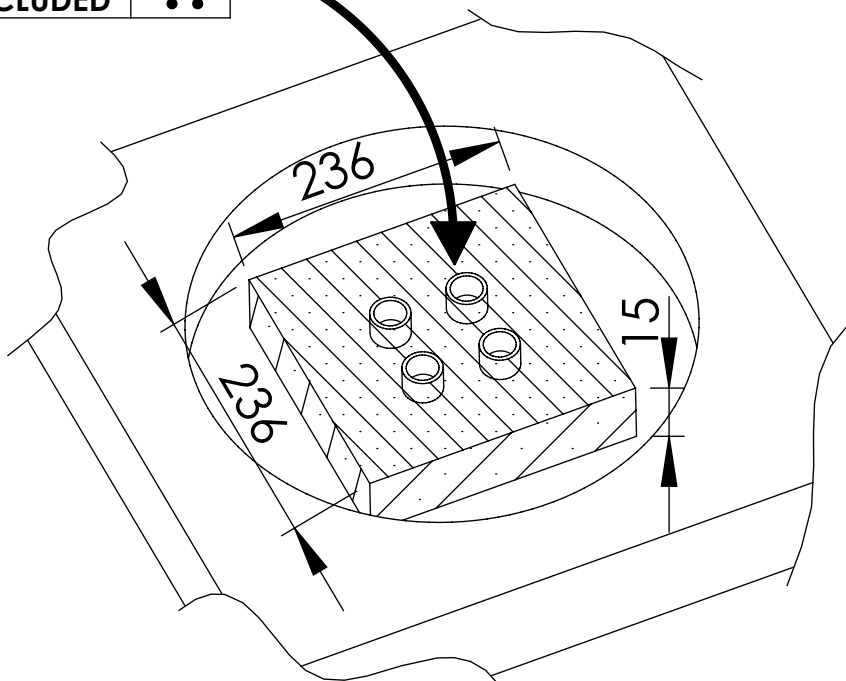


236

60



NOT INCLUDED



[cm]



24h



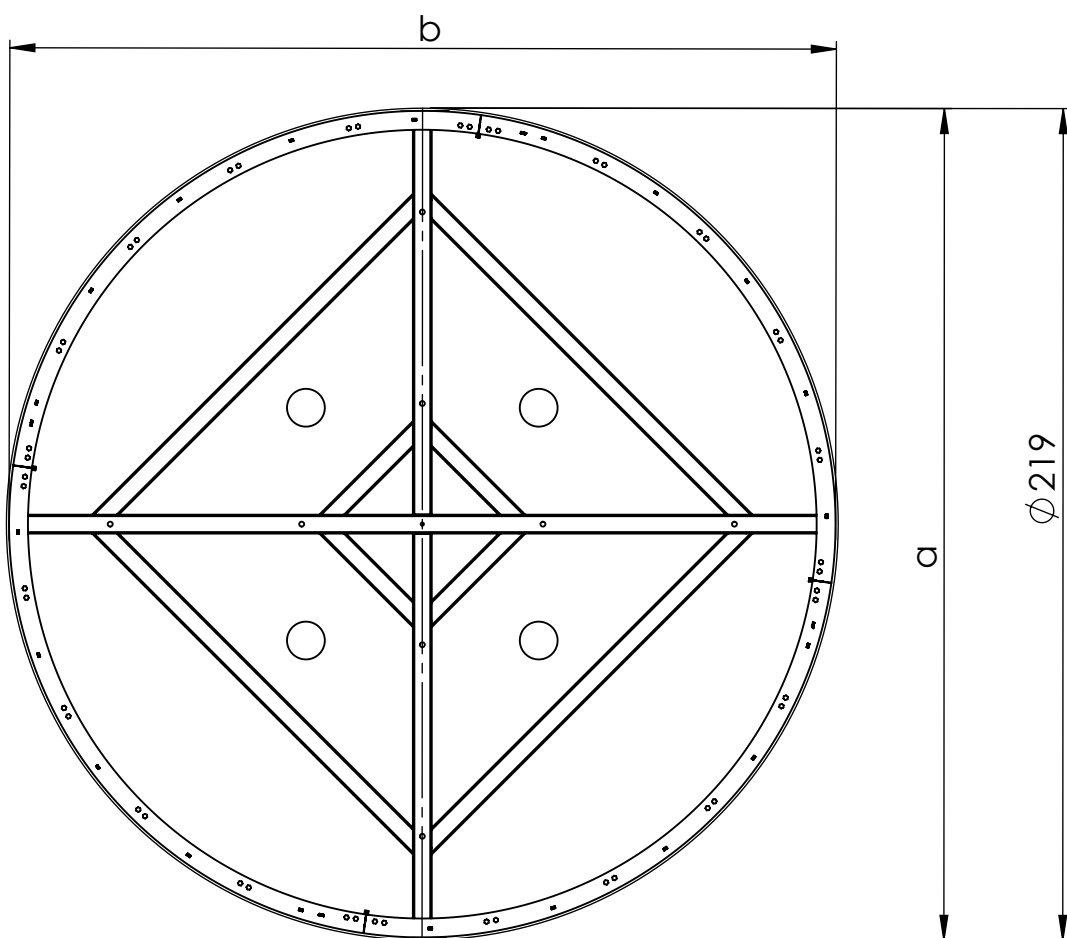
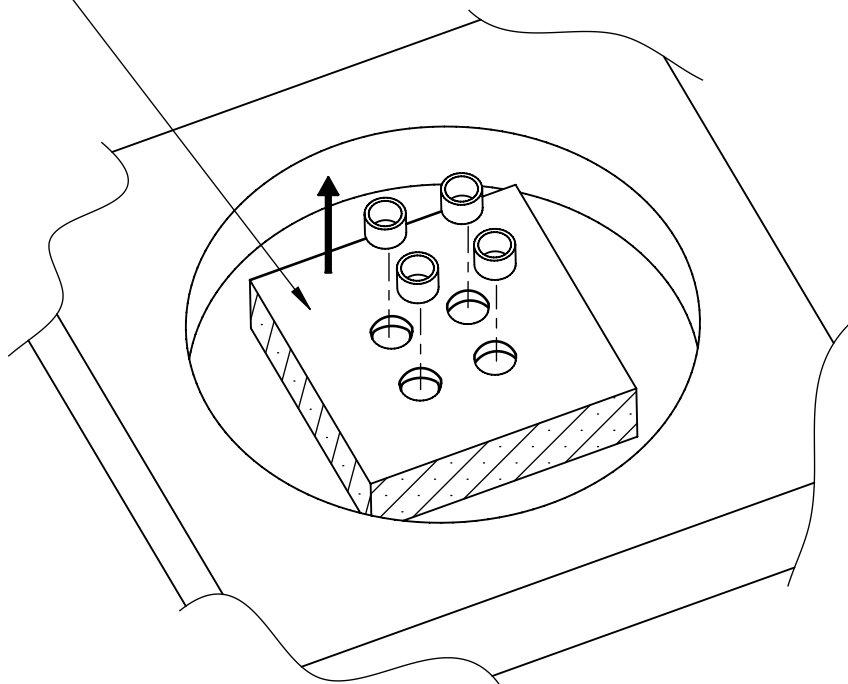
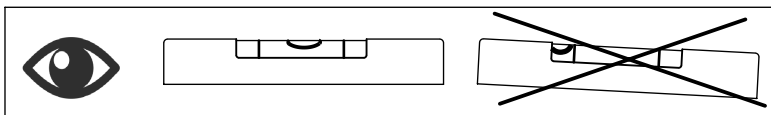
48h



>0.84m³

vinci play





a=b



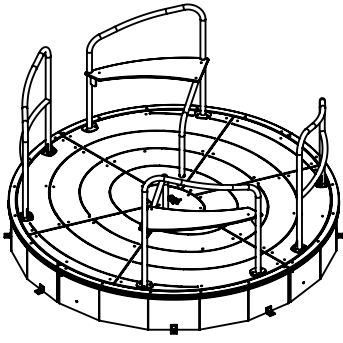
[cm]



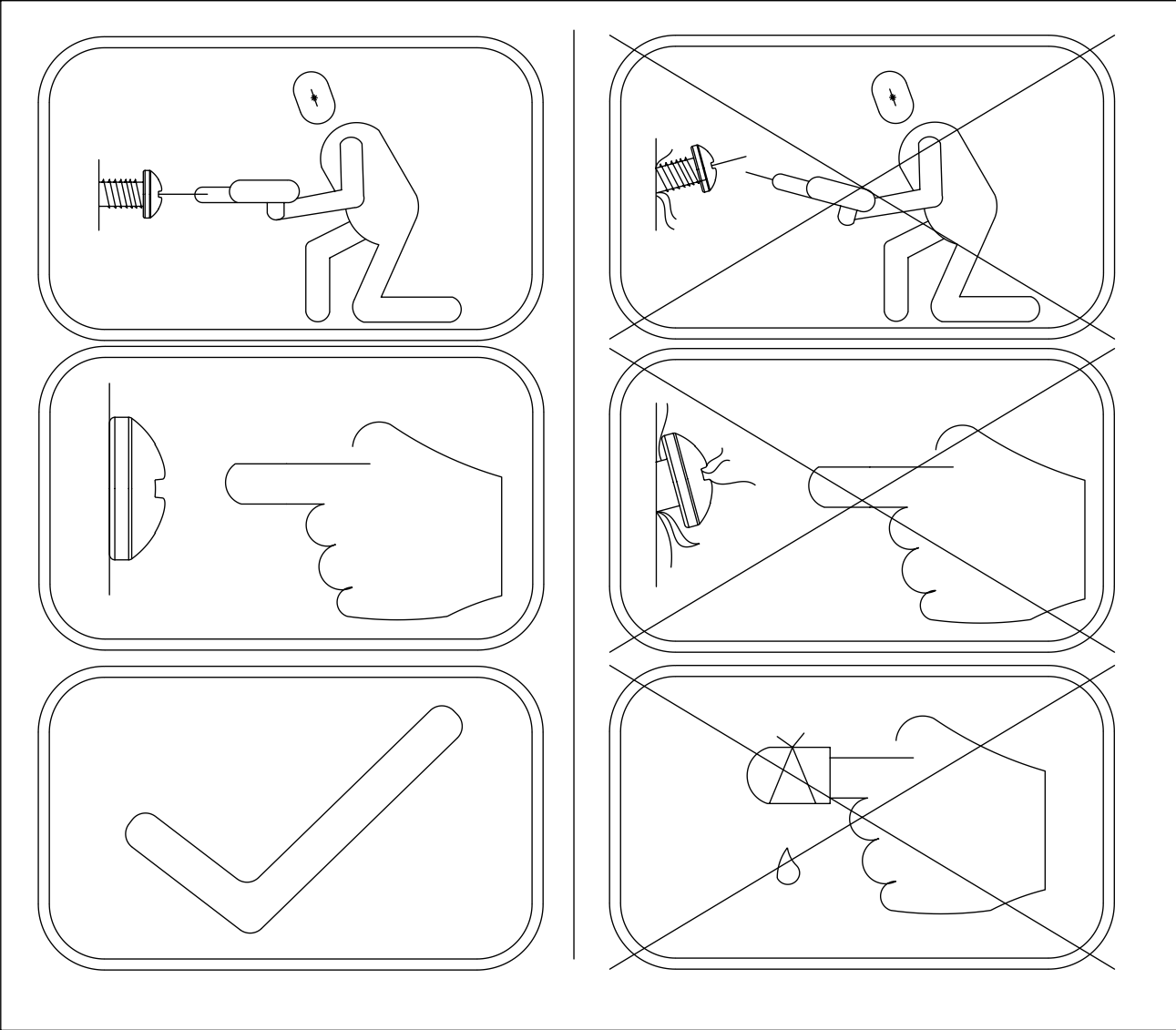
24h

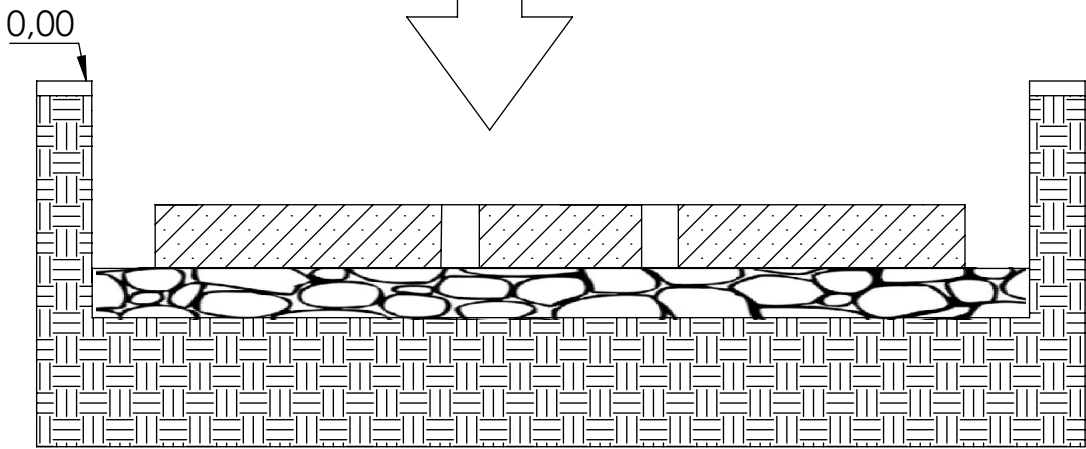
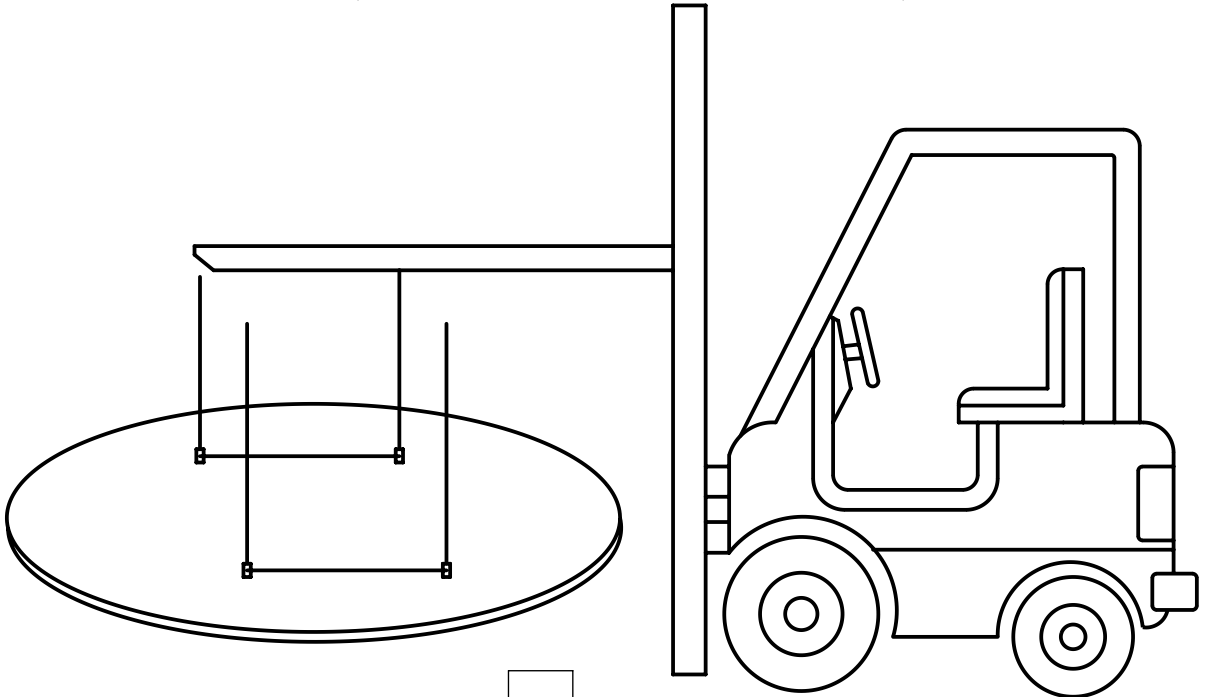
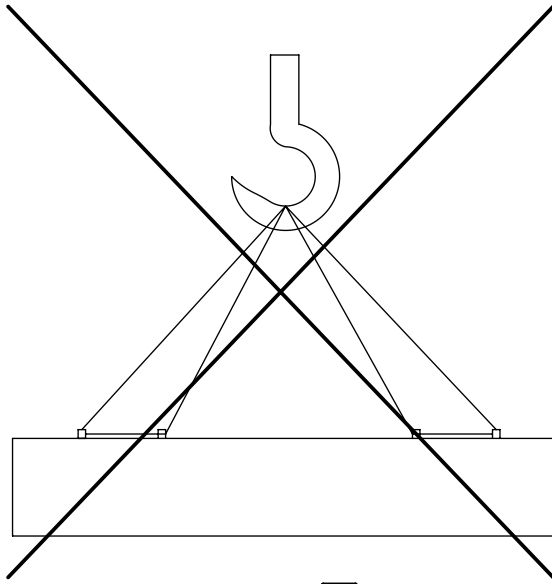


vinci play



0728  
x1





[cm]




24h





48h

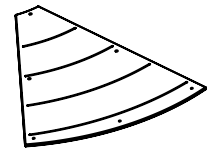
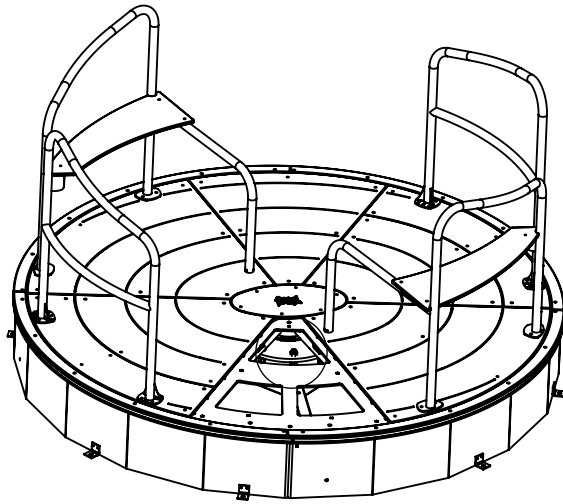


vinci  
play

  
 M12x120  
 x16

NOT  
 INCLUDED

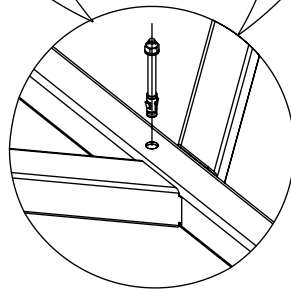
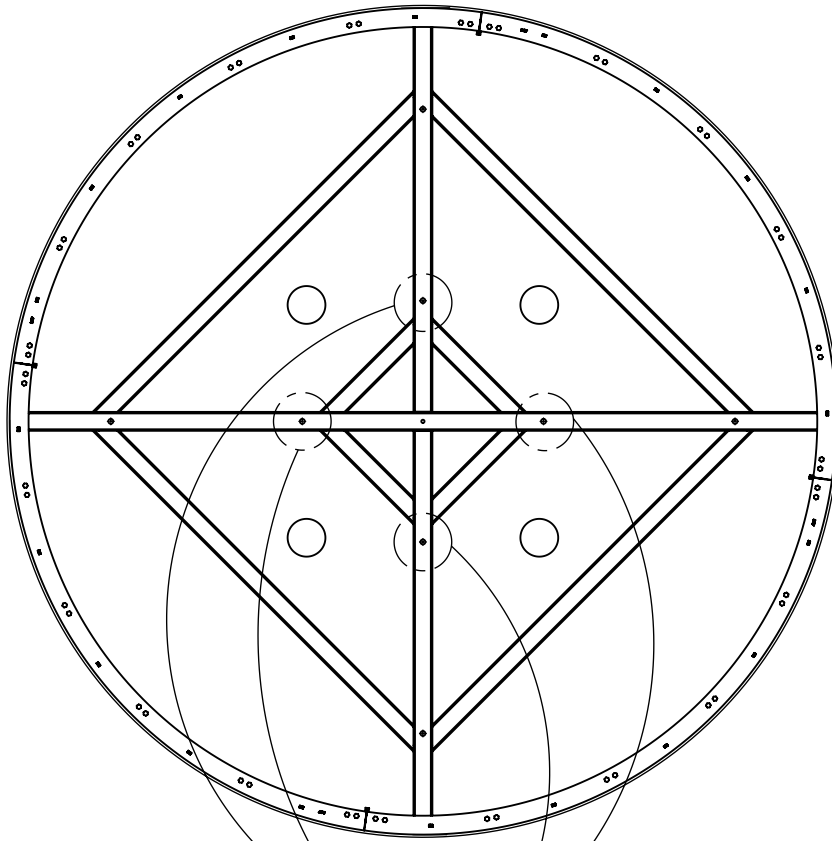
  




071143  
x2



a=b



M12x120  
x4

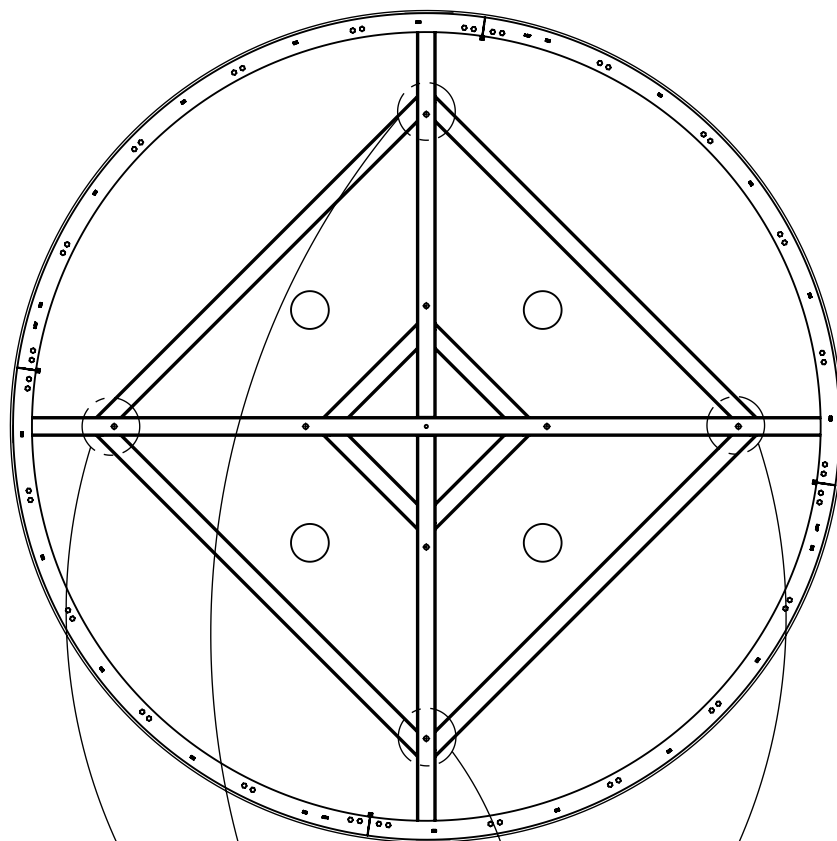
[cm]



24h



vinci  
play



a=b



Ø12

M12x120  
x4

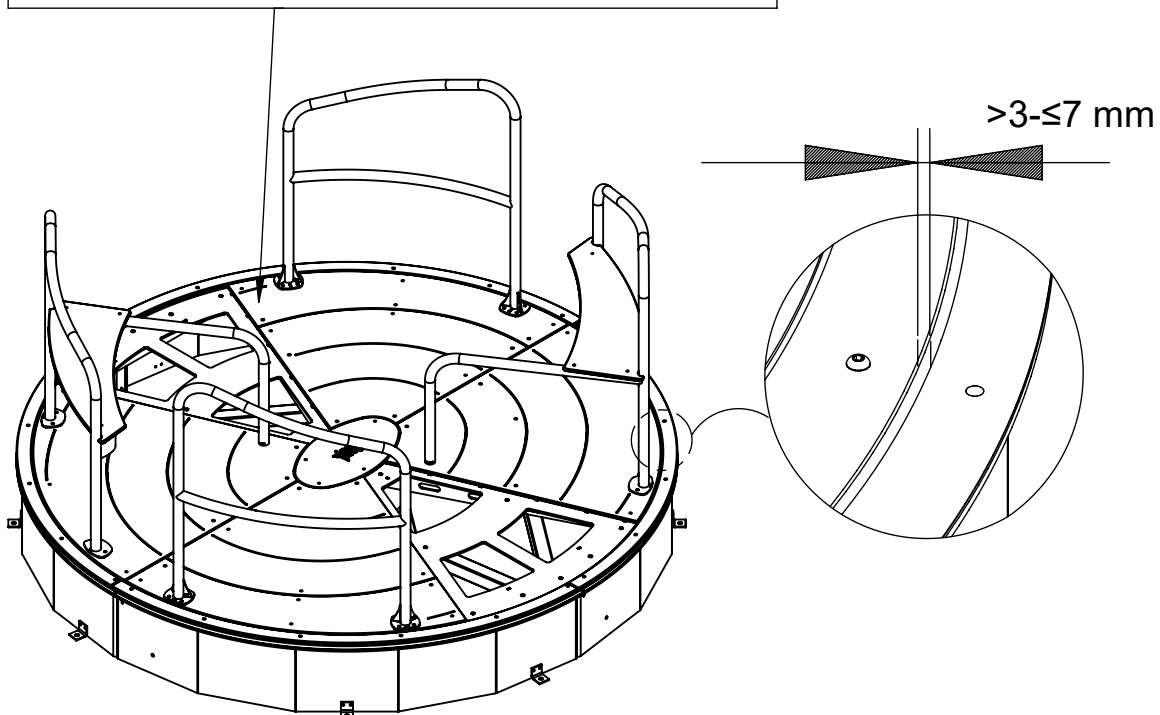
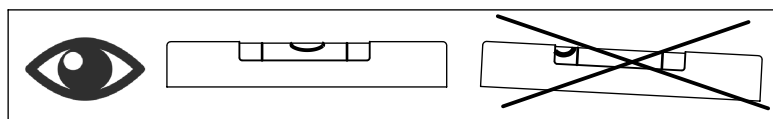
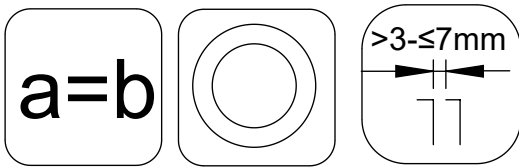
[cm]



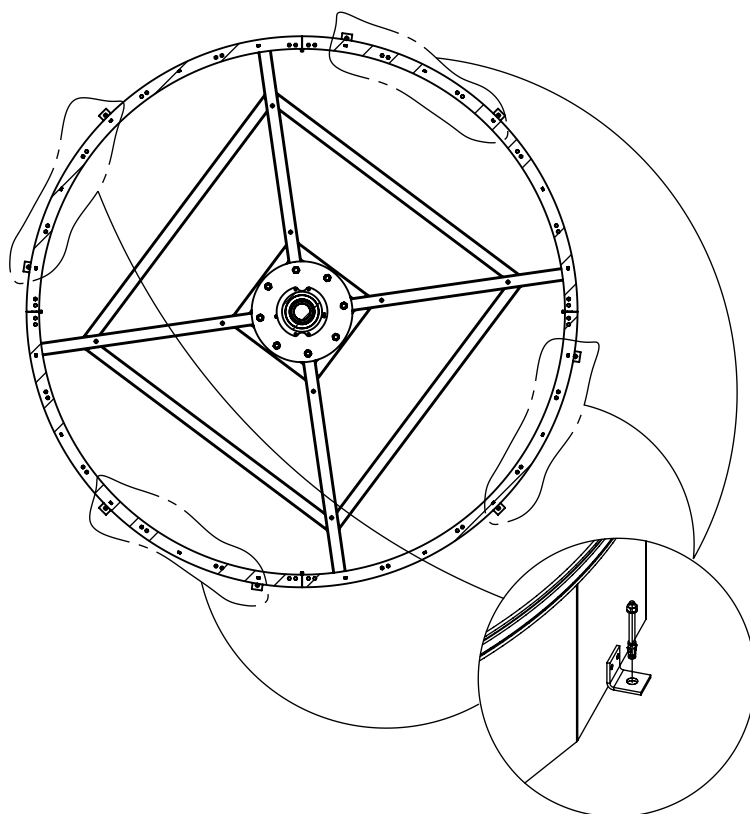
24h



vinci  
play



a=b



M12x120  
x8

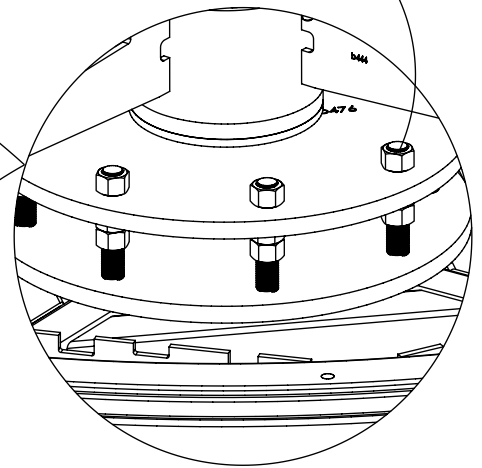
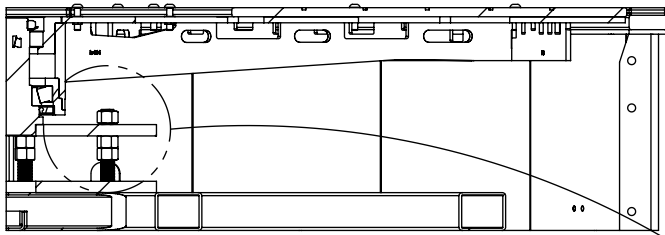
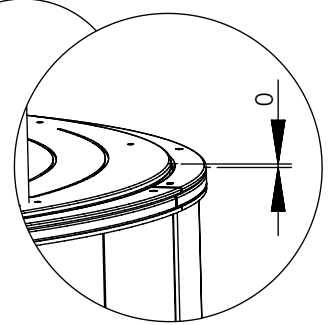
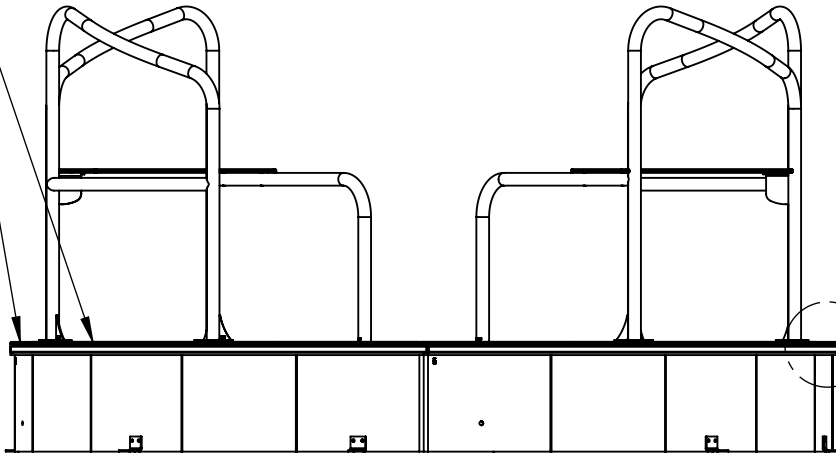
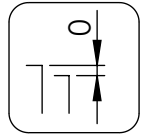
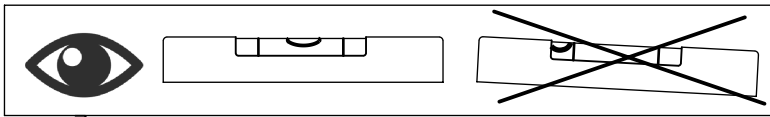
vinci  
play

[cm]



24h

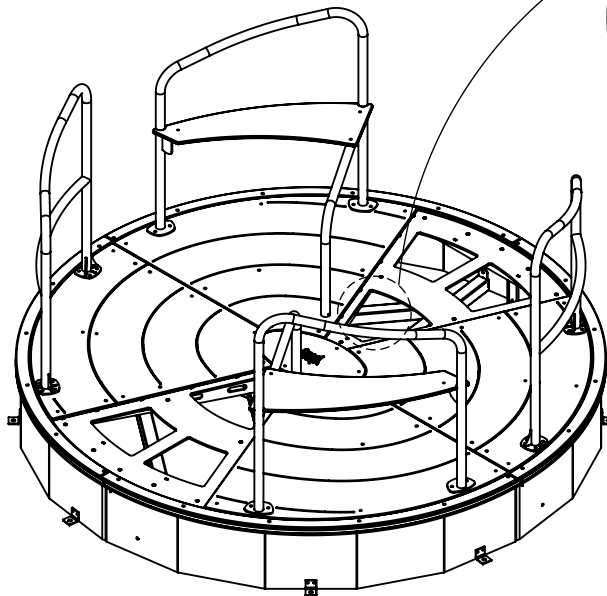




a=b



Ø12



[cm]

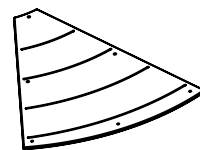
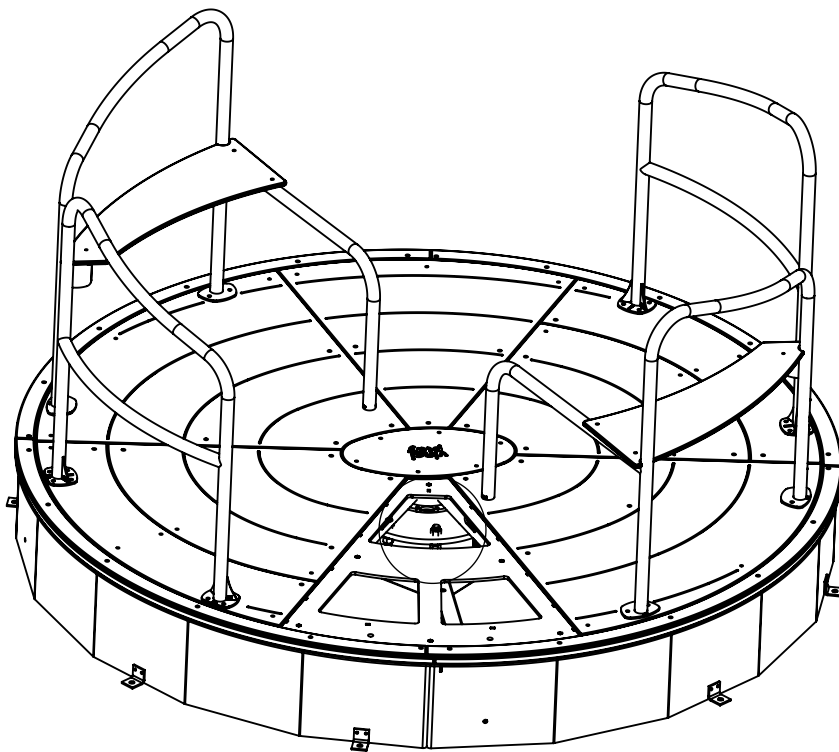


24h

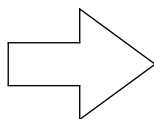
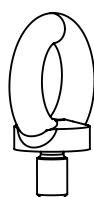


vinci  
play





071143  
x2



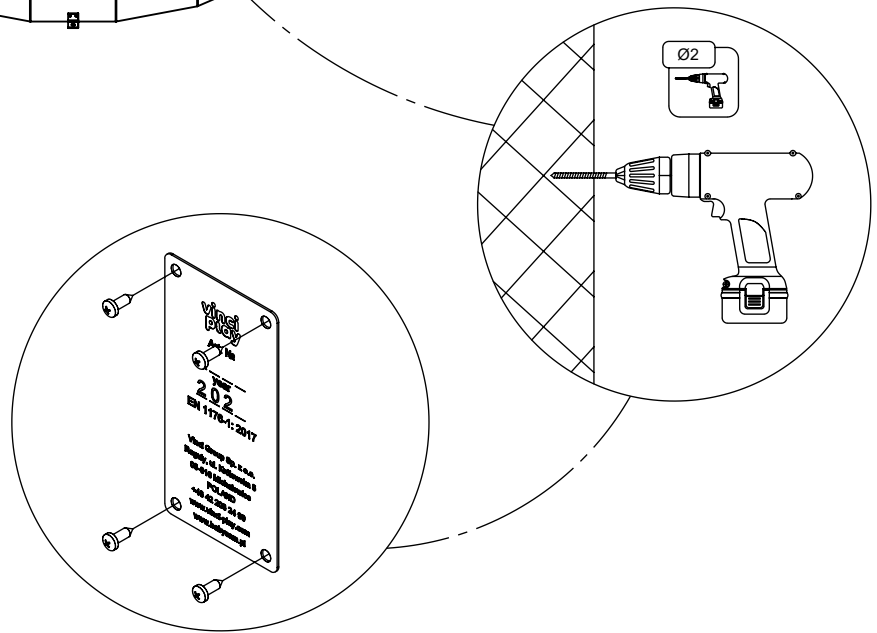
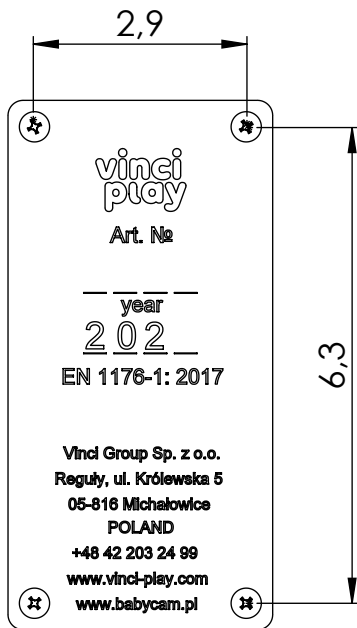
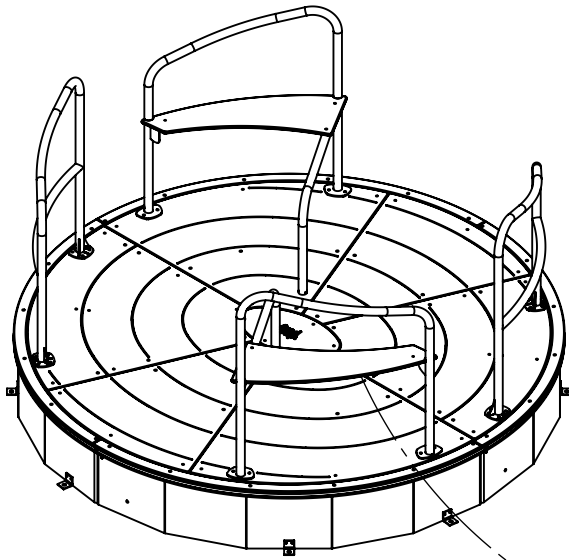
[cm]



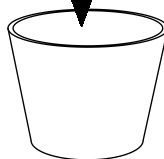
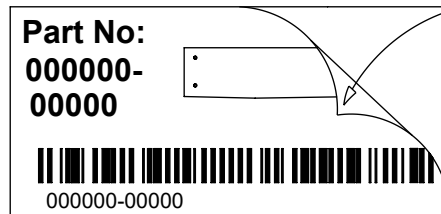
24h



vinci  
play

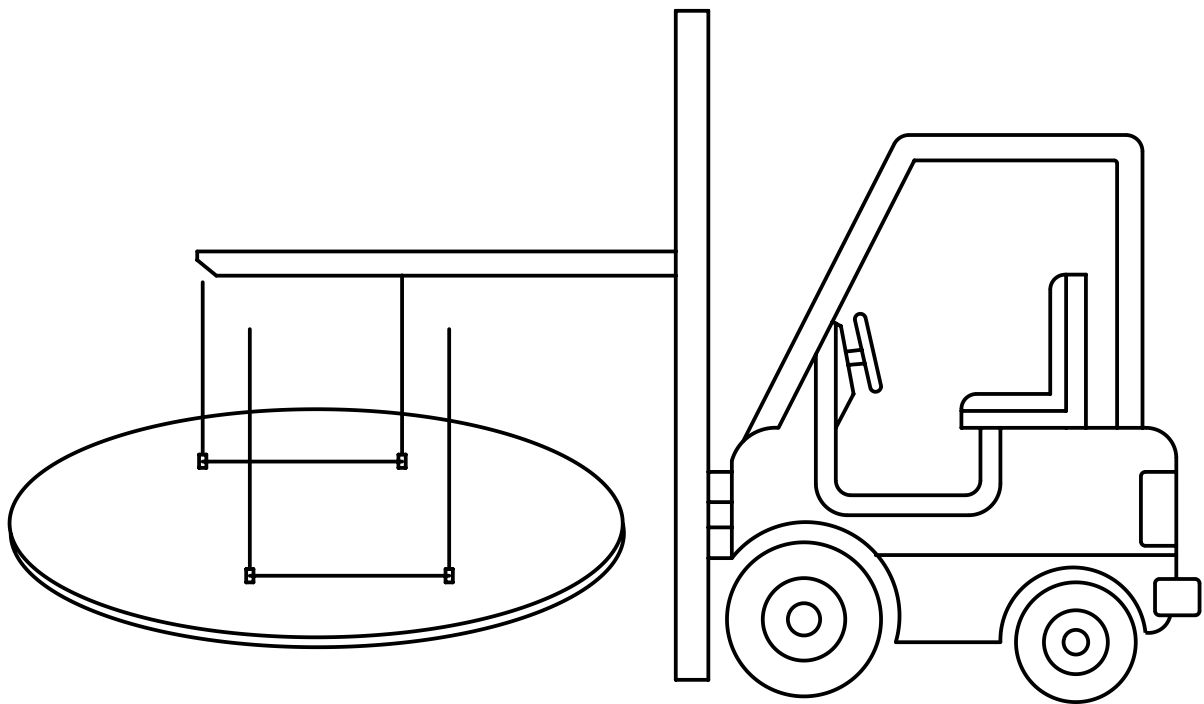
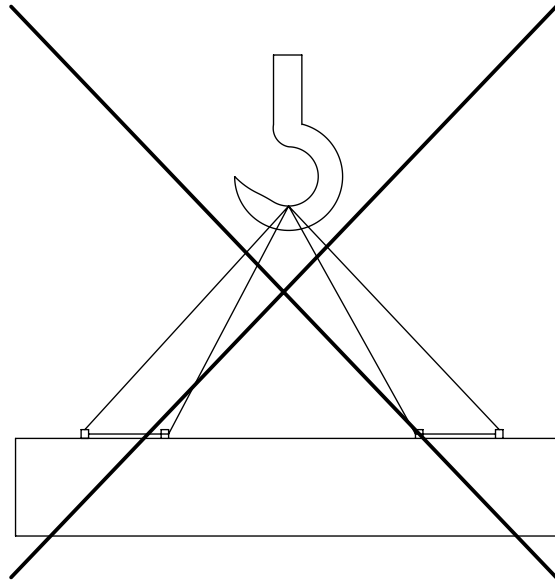


V001 x1



vinci  
play

[cm]



[cm]



vinci  
play