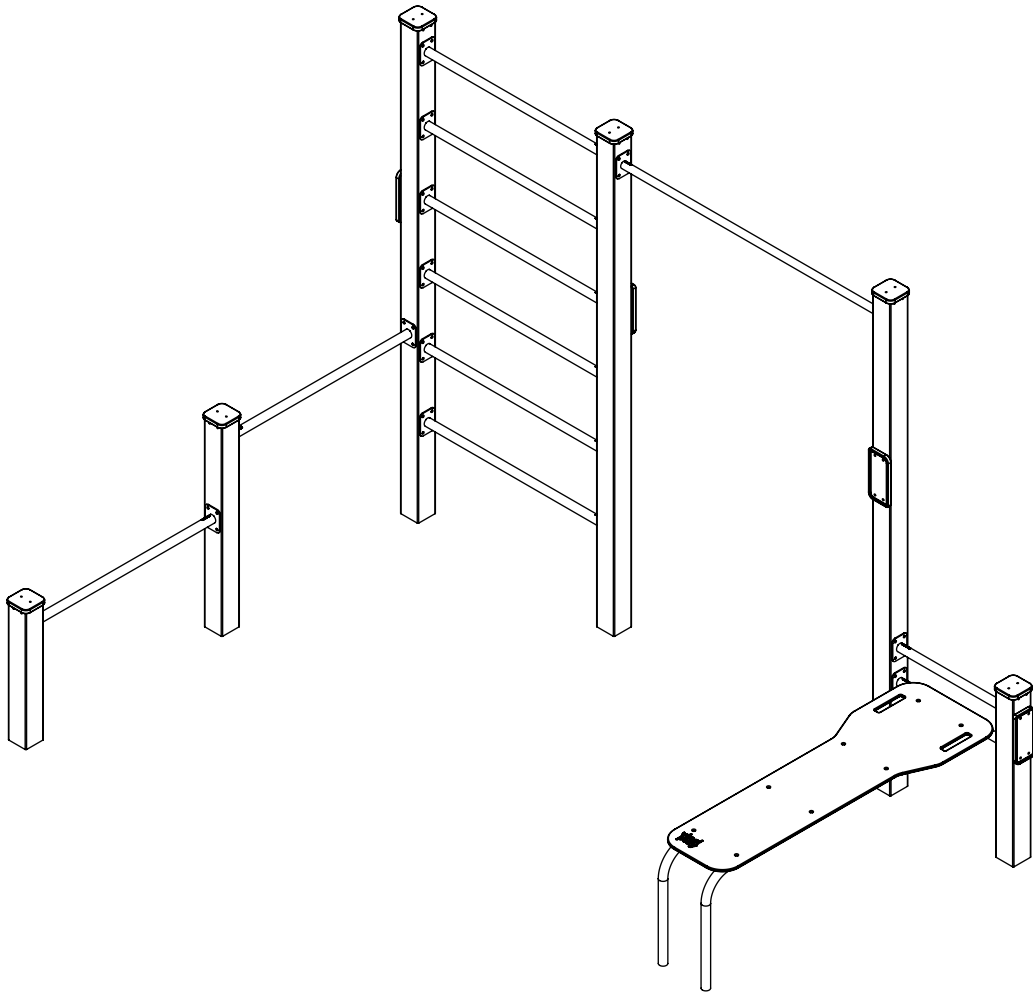
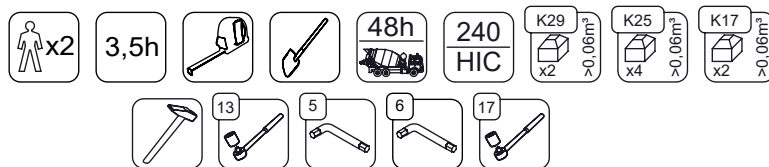


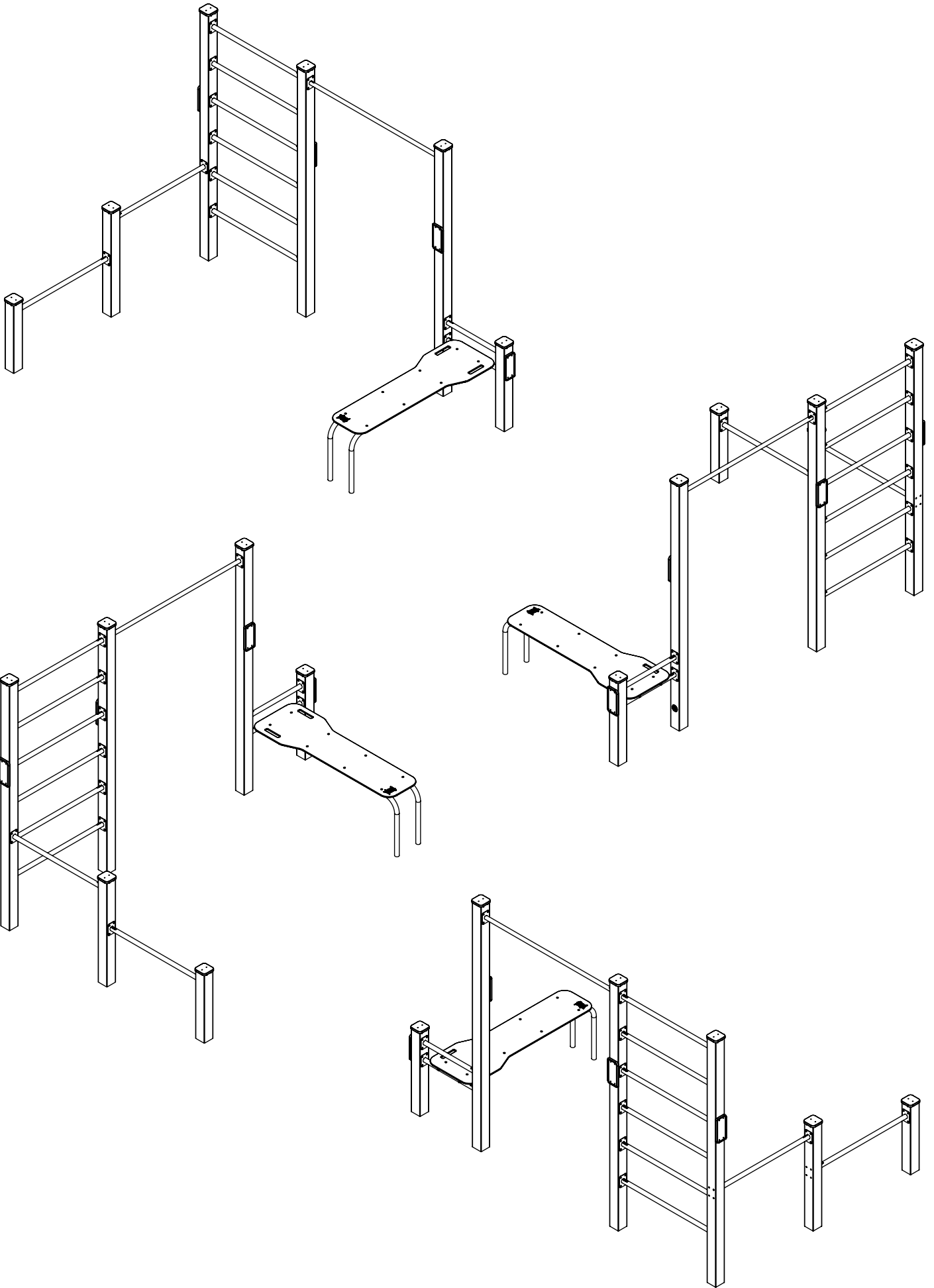
2323



v010
13.07.2021
A. H.
[cm]

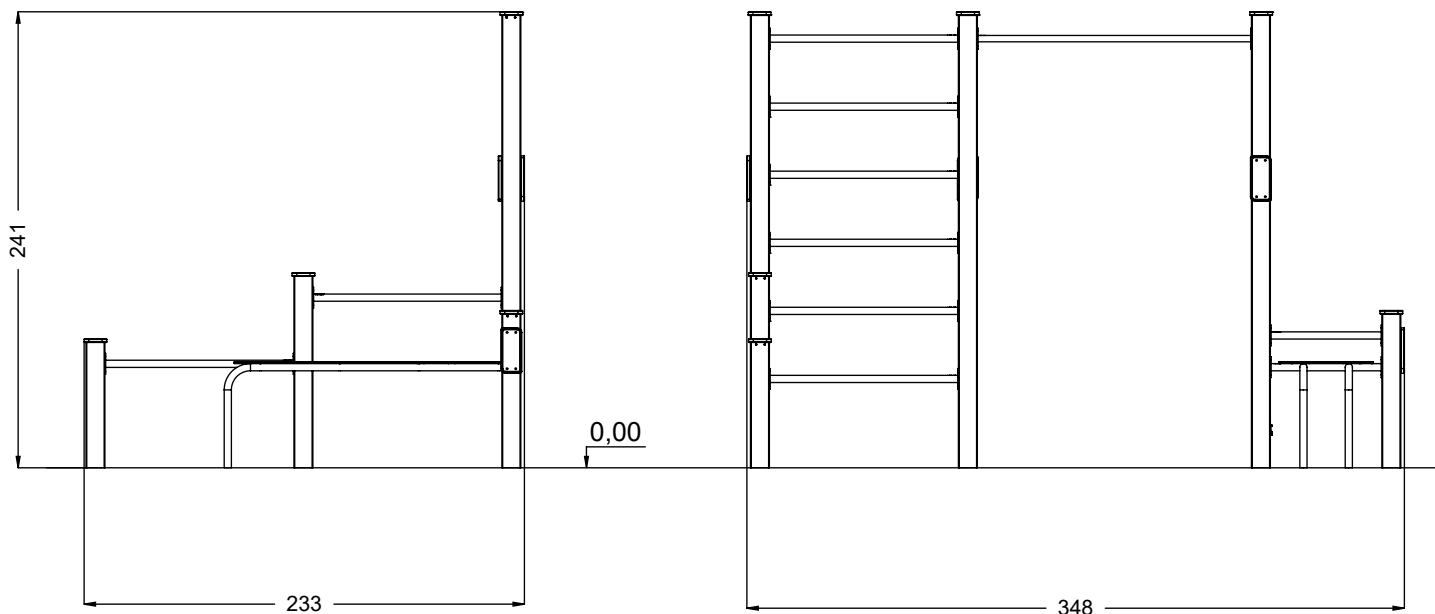


vinci
play



[cm]

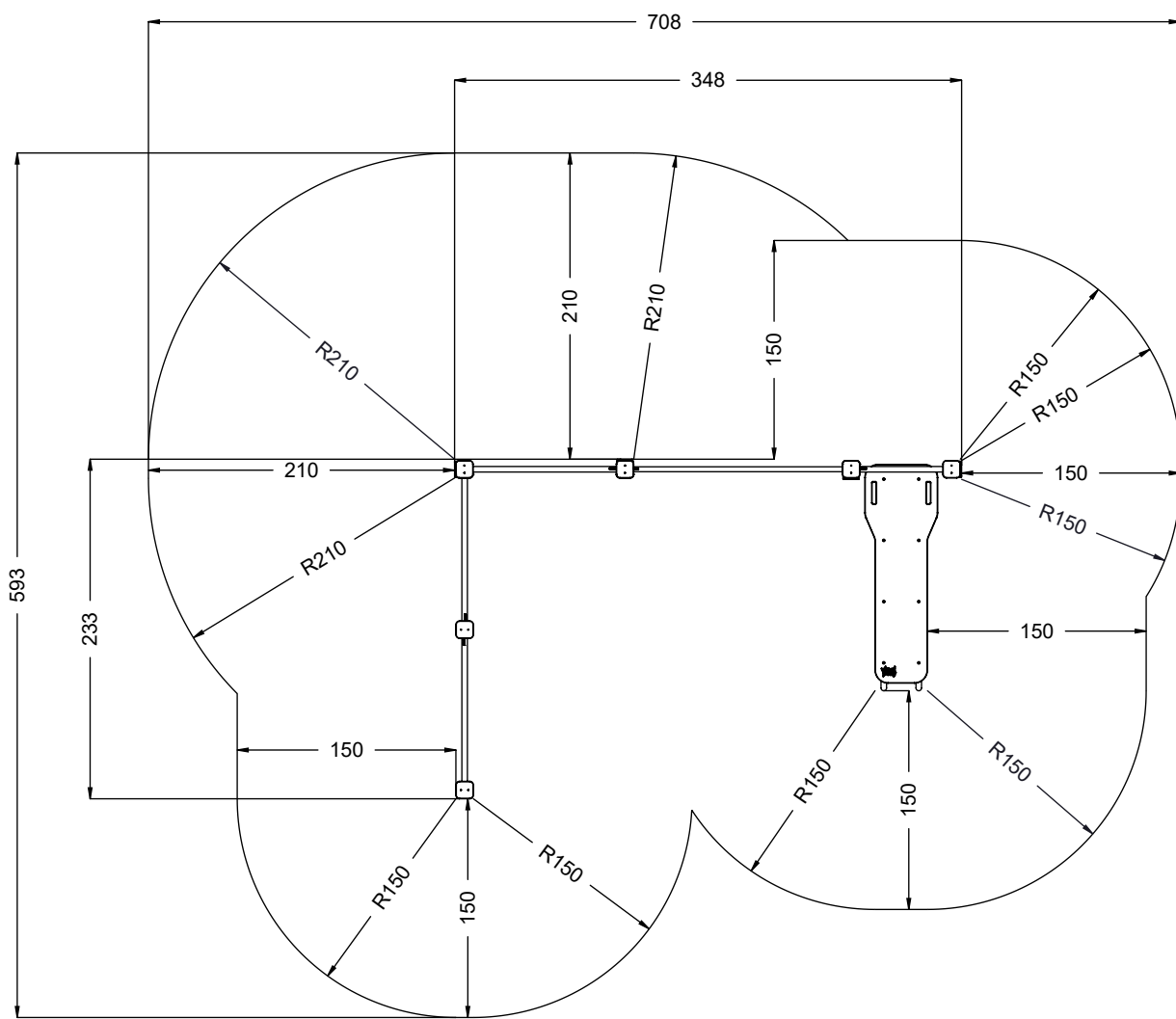
vinci
play



[cm]



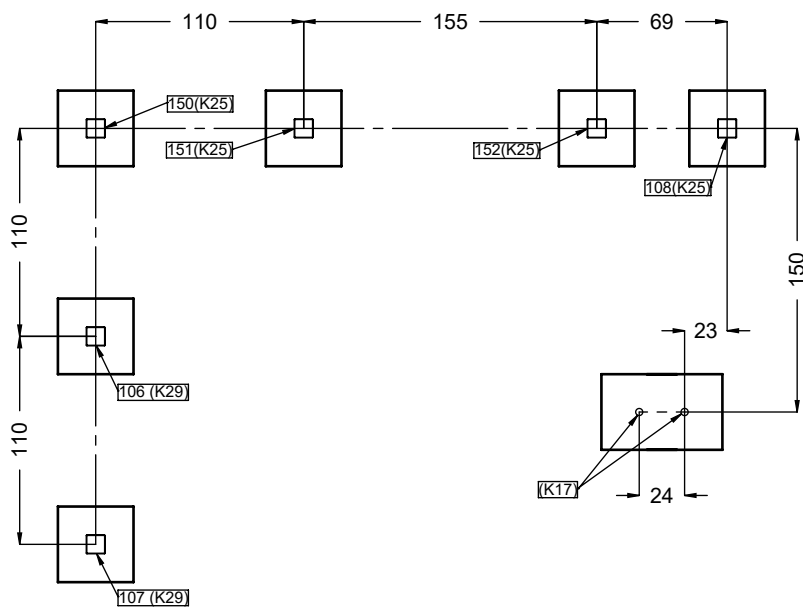
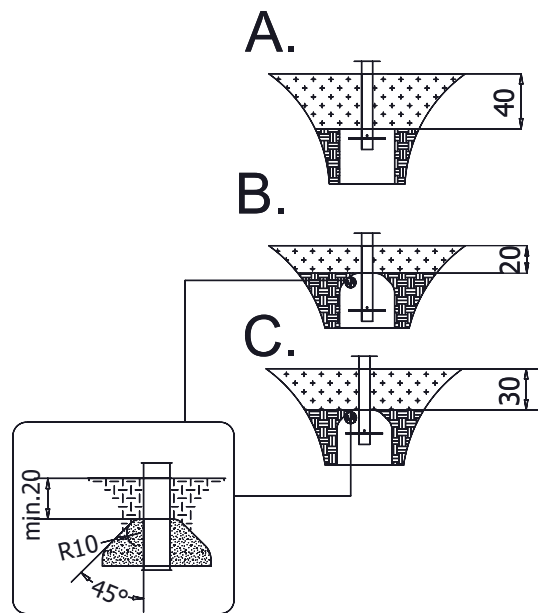
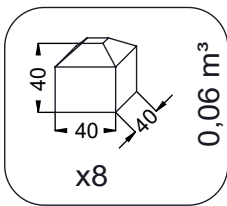
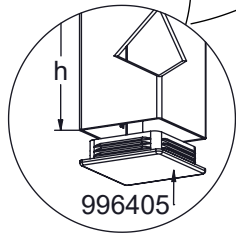
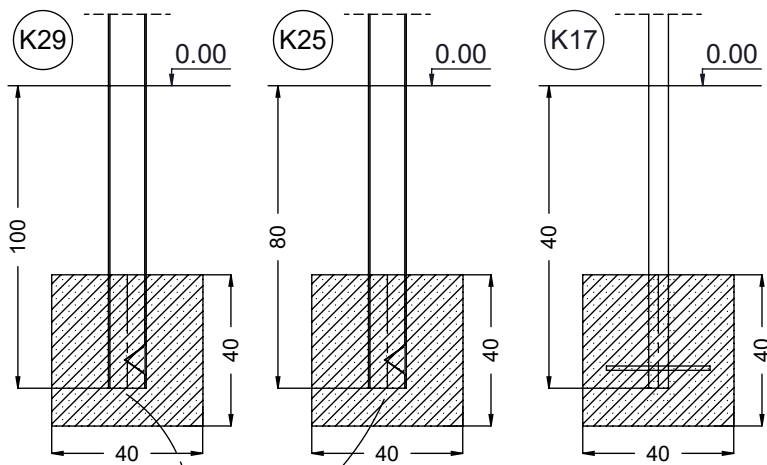
vinci
play



[cm]



vinci
play



[cm]



3,5h



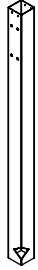
vinci
play



237106
x1



237107
x1



237108
x1



237150
x1



237151
x1



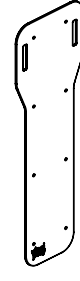
237152
x1



232106
x1



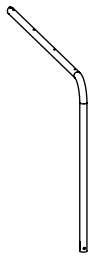
232100
x8



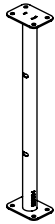
231100
x1



232104
x1

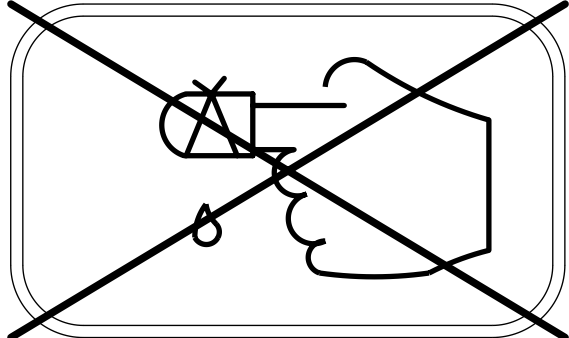
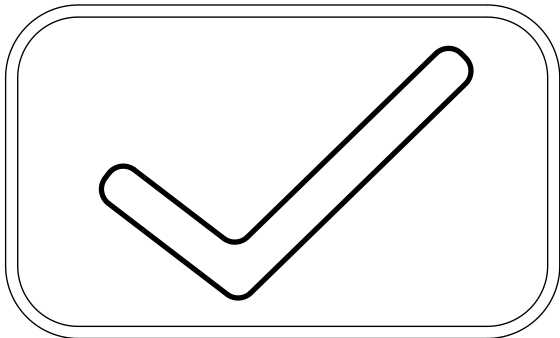
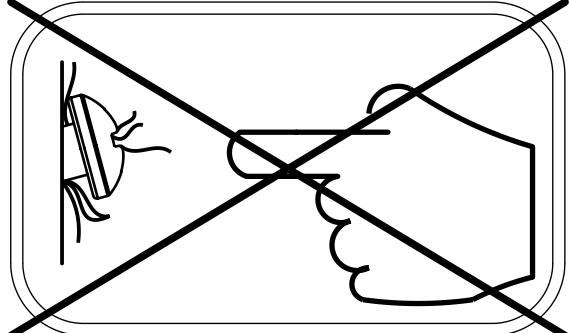
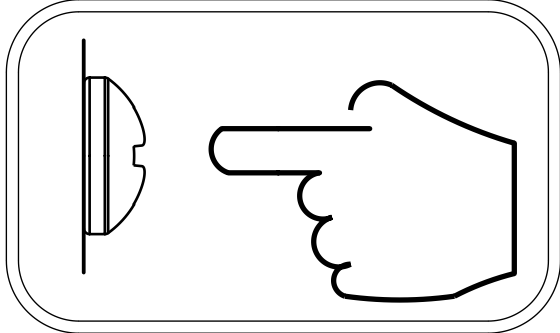
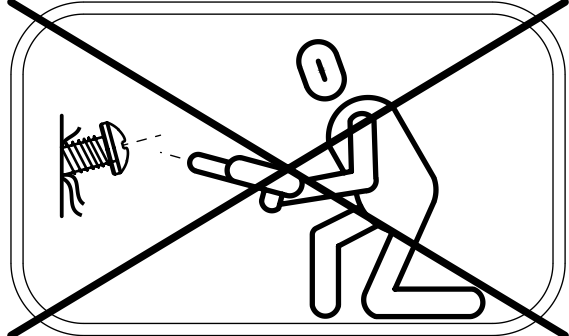
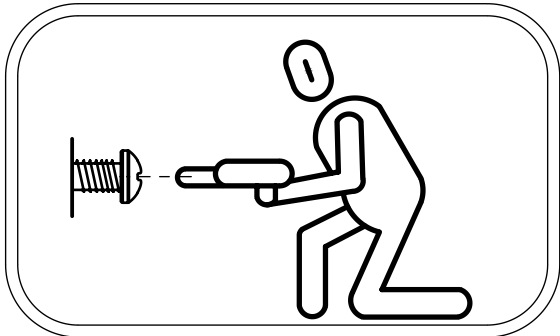


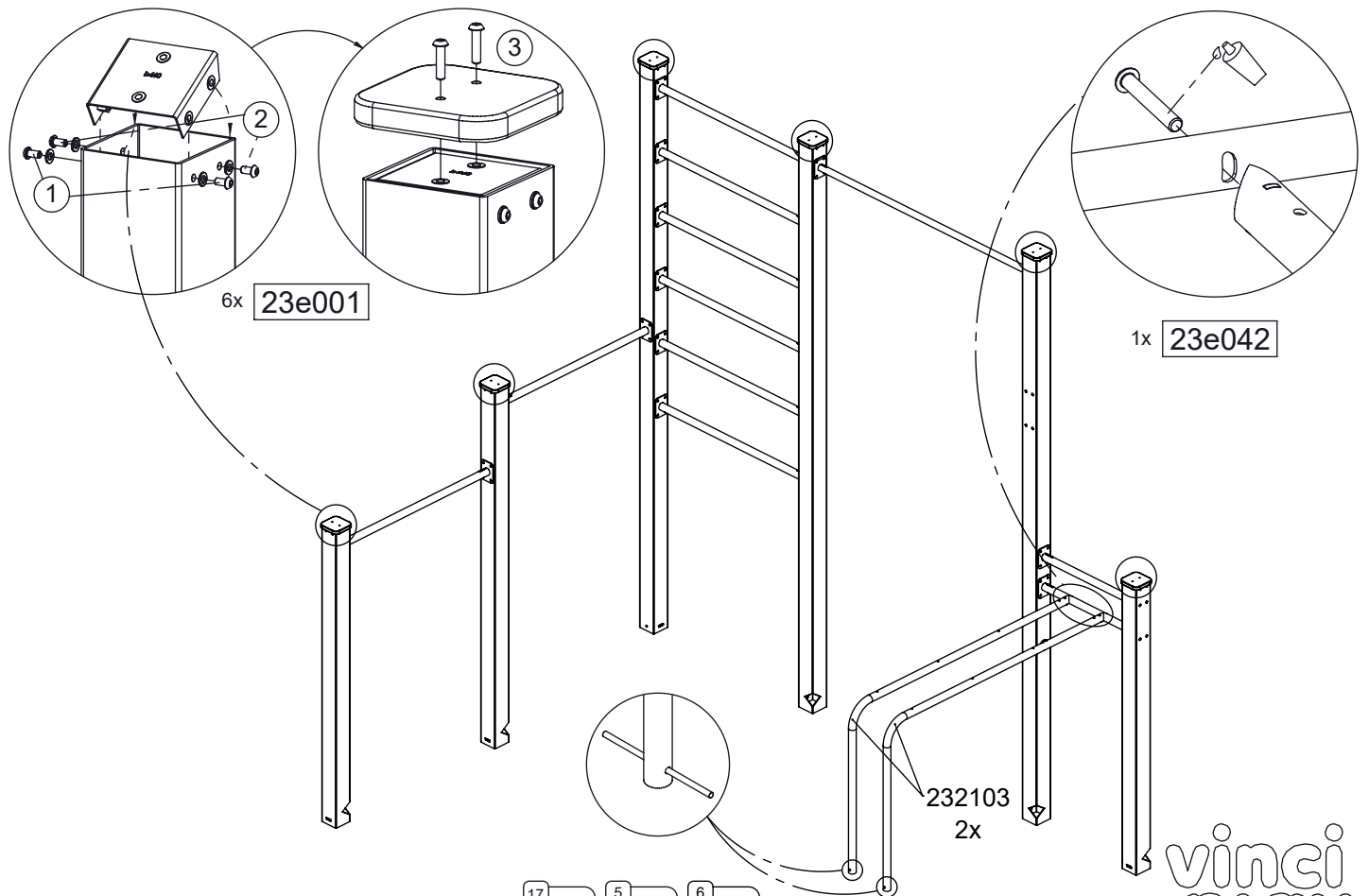
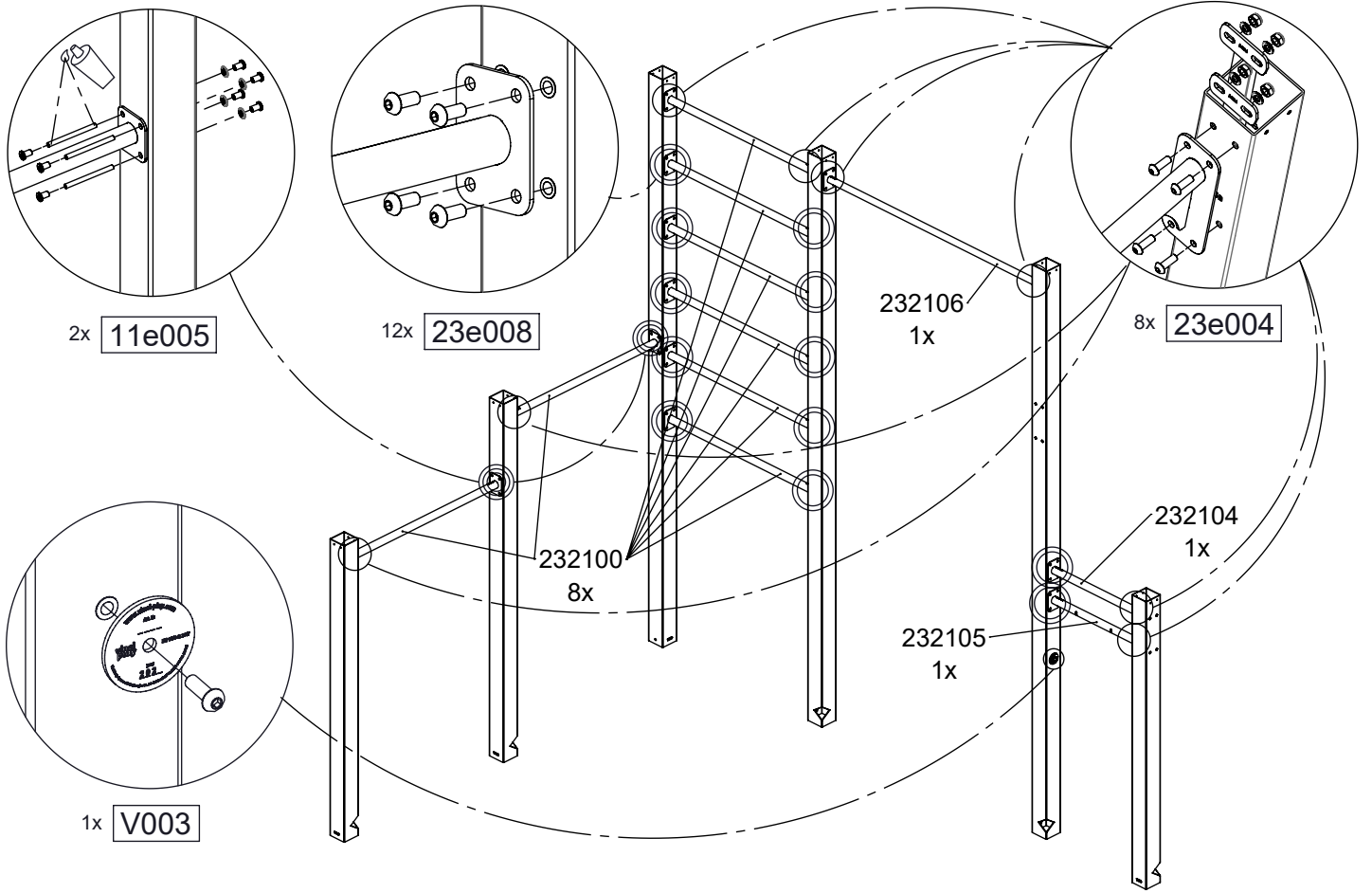
232103
x2



232105
x1

ST/INOX	
6x	23e001
6x	996405
8x	23e004
12x	23e008
2x	23e005
1x	23e040
1x	23e042
7x	23e003
1x	236104
1x	236106
1x	236107
1x	236109
1x	V003

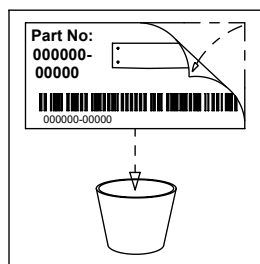
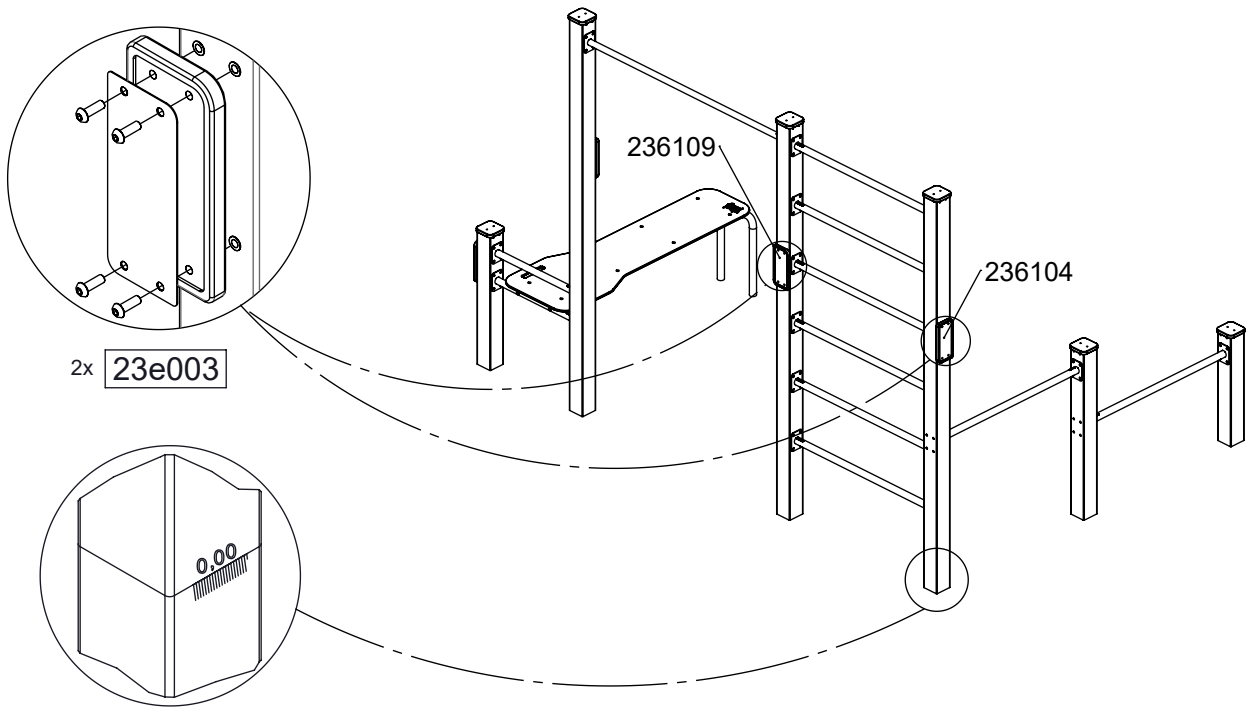
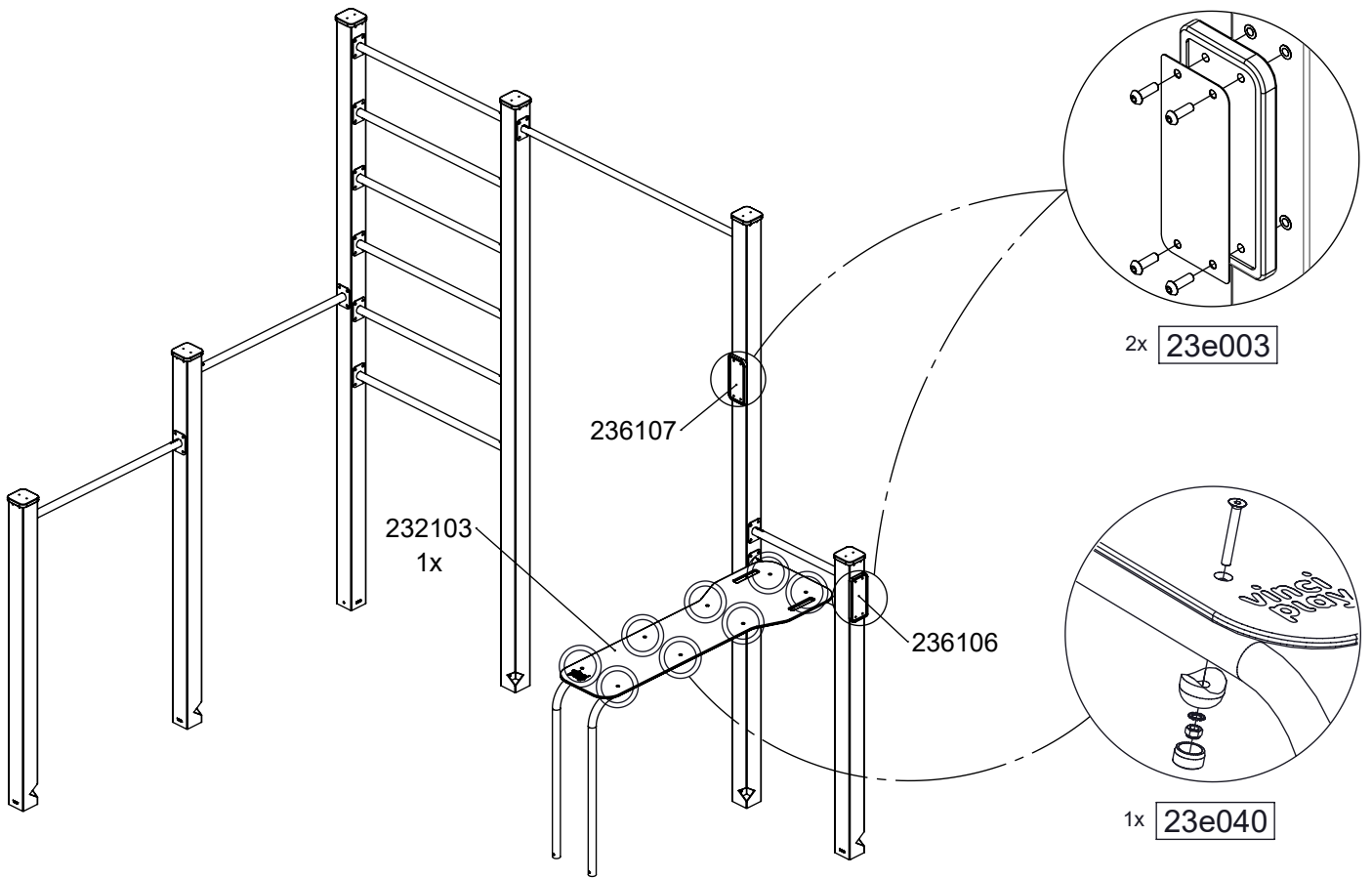




[cm]



vinci
play



[cm]

vinci
play