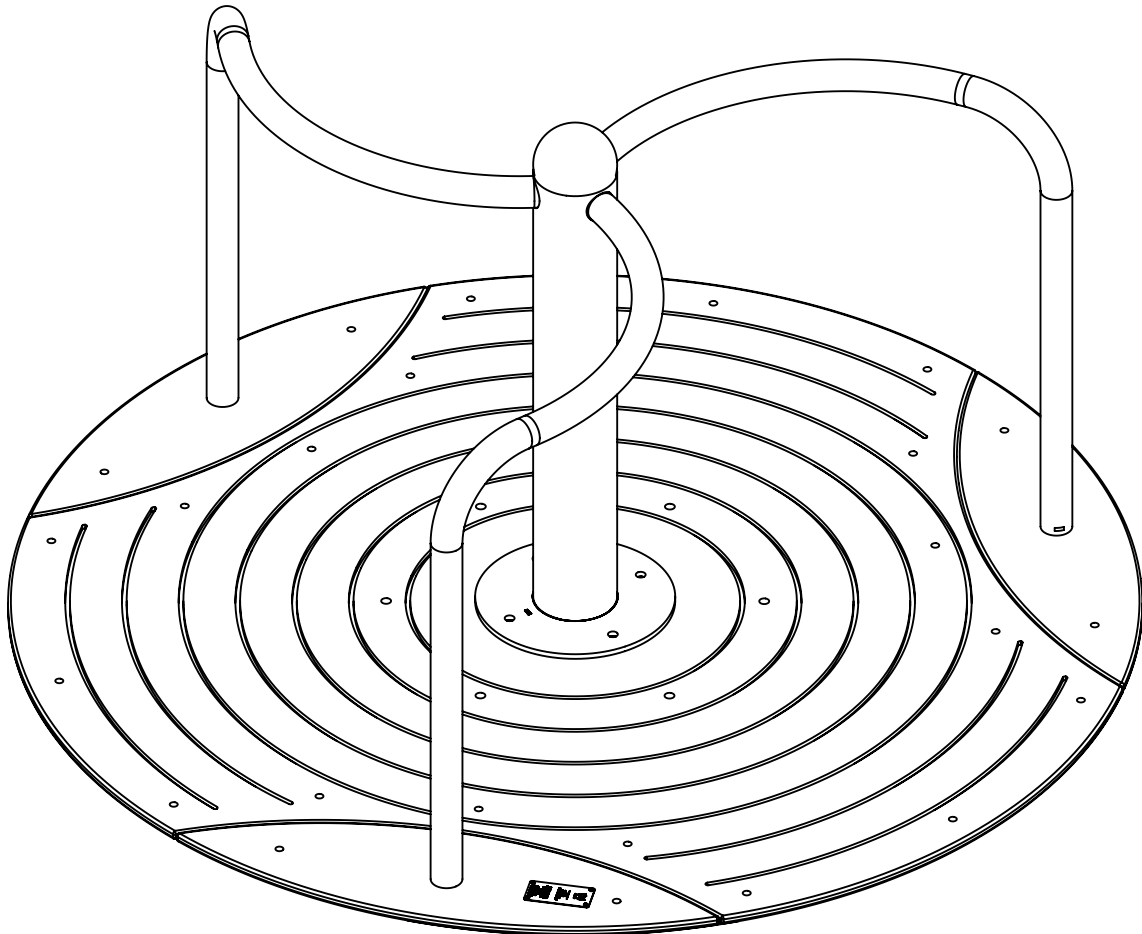
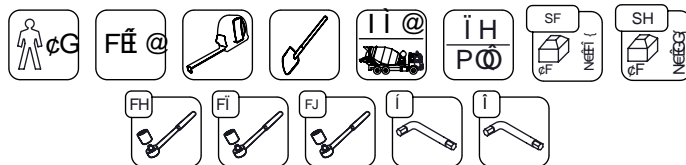


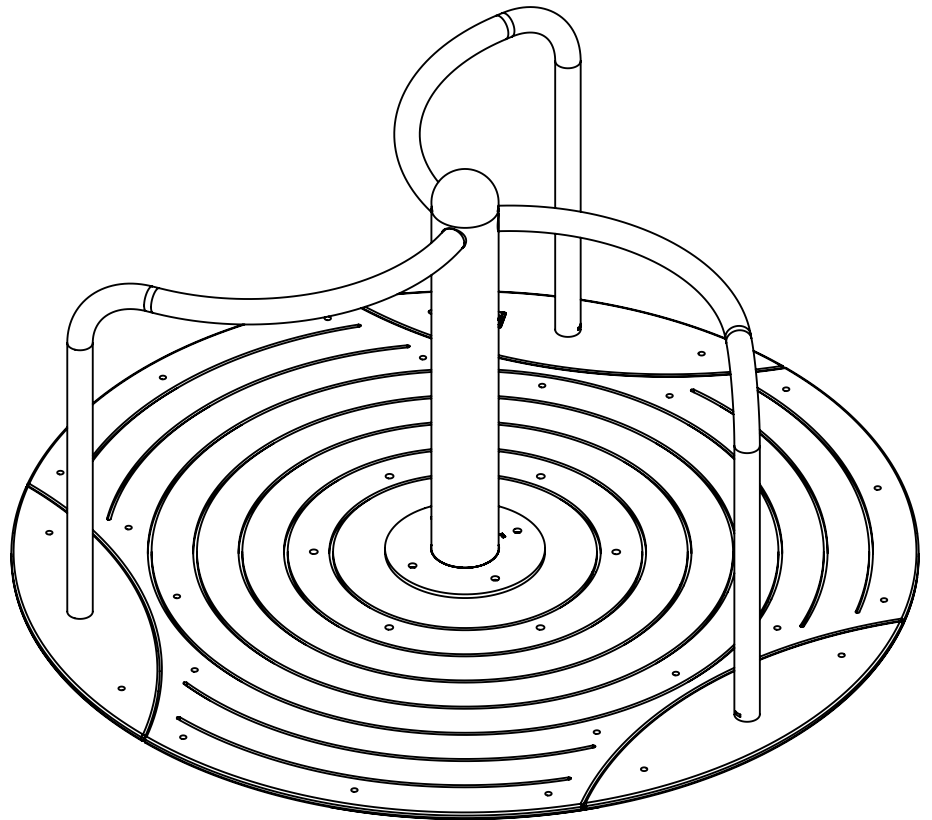
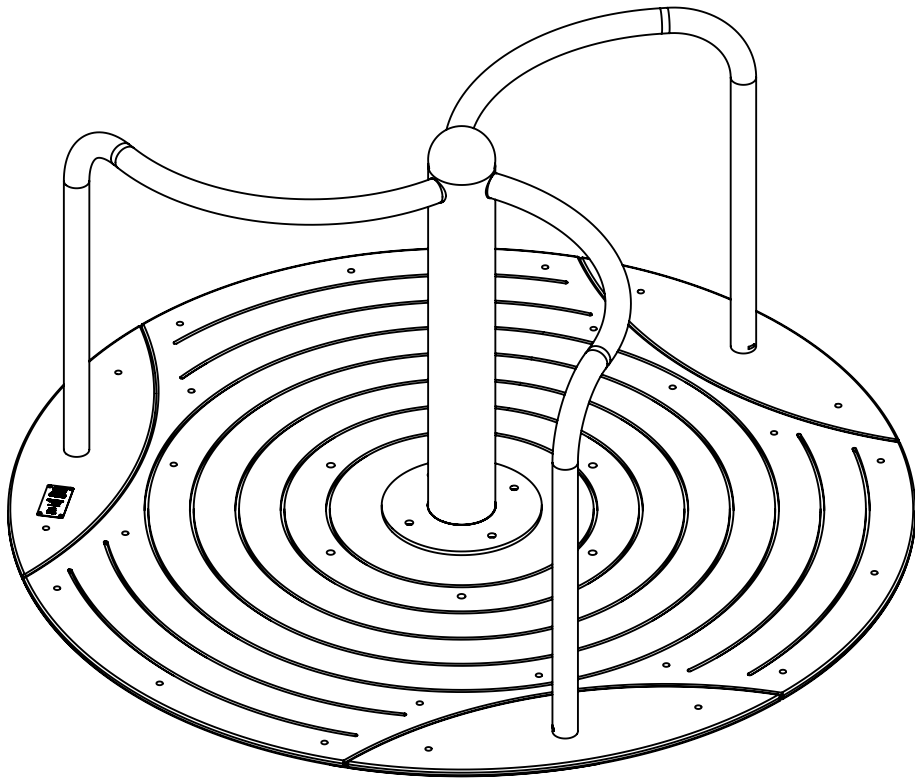
€İ €G€G

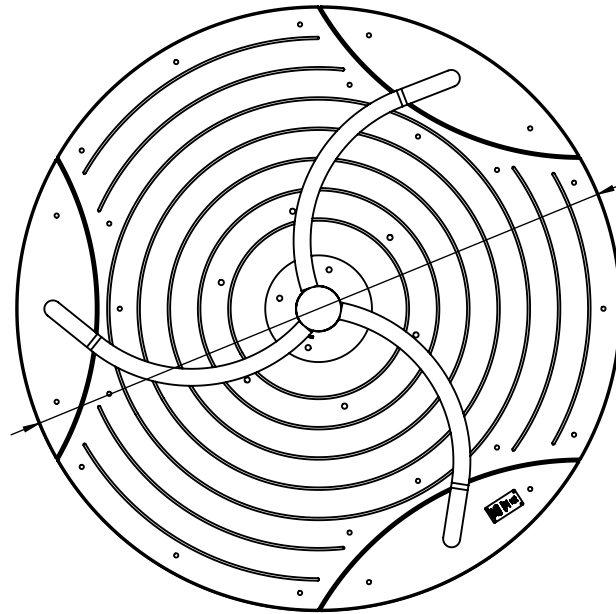


çEFE
 Gİ İEİ İEİGE
 ÇEİP È
 Ž& á

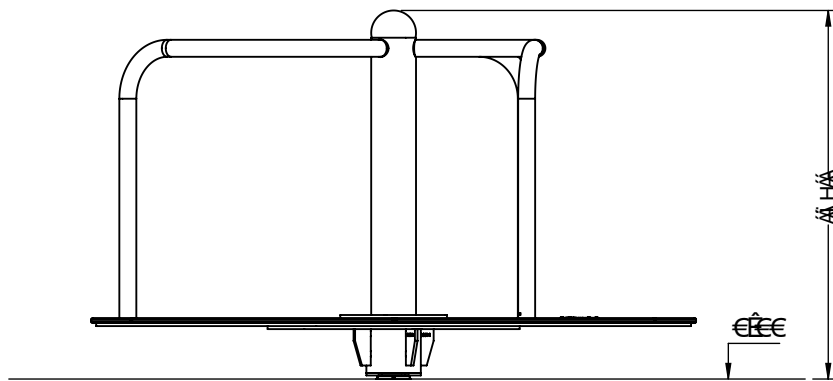


vinci
 play



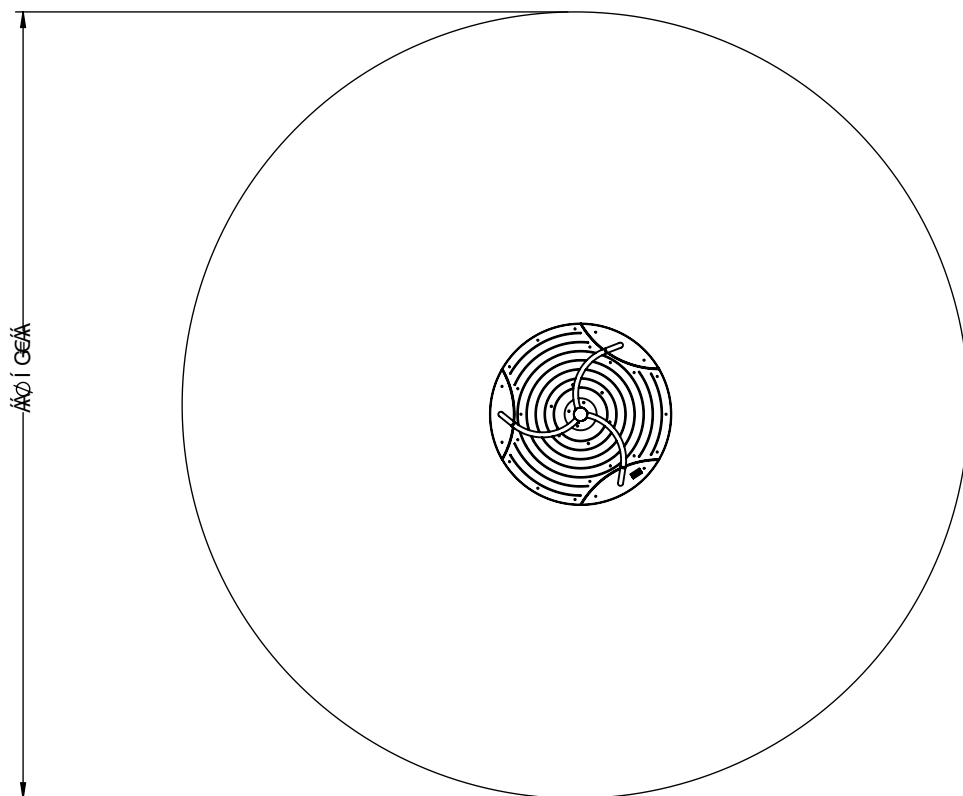


ÁÐ FGEÁ



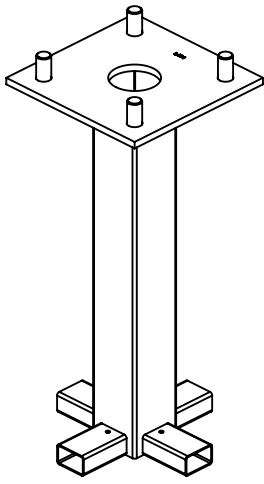
ÁÐ HÁ

ERE

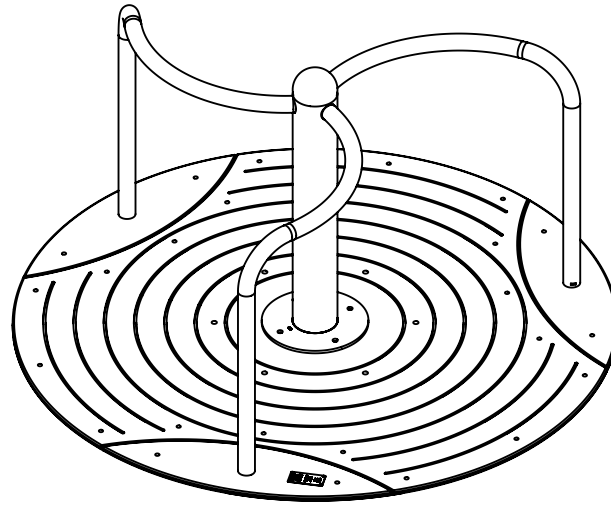


ÁÐ I GEÁ



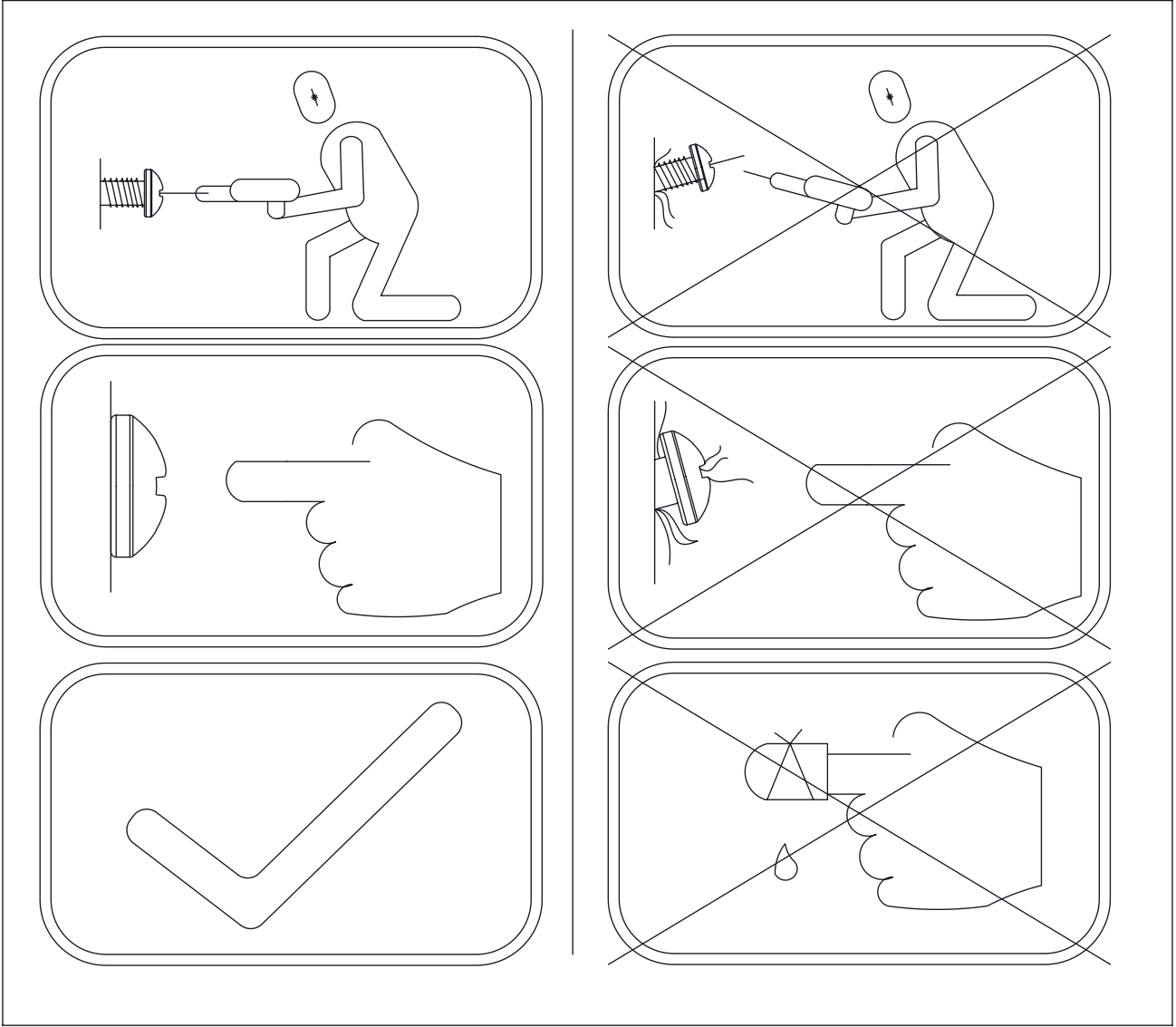


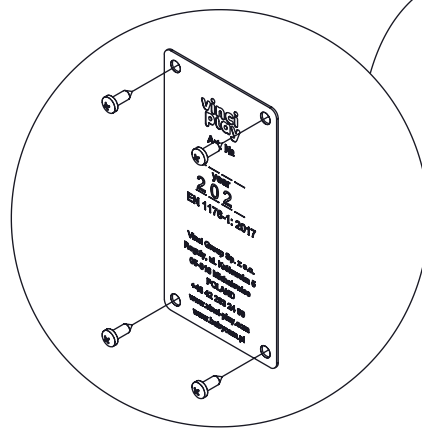
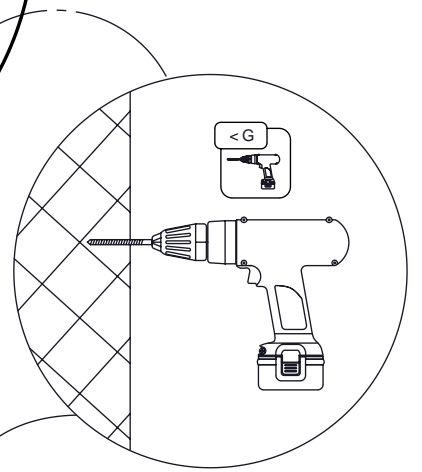
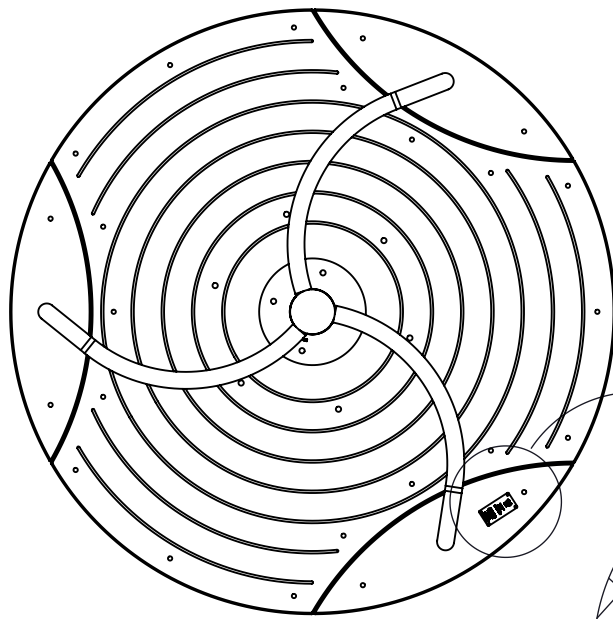
€í GFFÍ
øF



€í €GEG
øF

Fø	ÙÚÍ Í
Fø	X€€F





X€€F €F

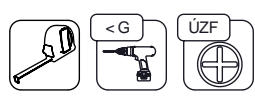
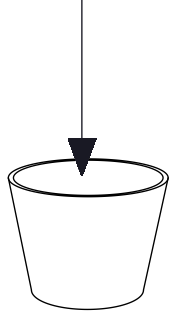
width: $\text{Å} \times \text{B} \times \text{Å}$
 height: $\text{Å} \times \text{B} \times \text{Å}$

vinci play
 Art. №
 year
202
 EN 1176-1: 2017

Vinci Group Sp. z o.o.
 Reguły, ul. Królewska 5
 05-816 Michałowice
 POLAND
 +48 42 203 24 99
 www.vinci-play.com
 www.babycam.pl

DUFhBc.
 \$\$\$\$\$\$!
 \$\$\$\$\$\$

€€€€€€€€€€€€



vinci play