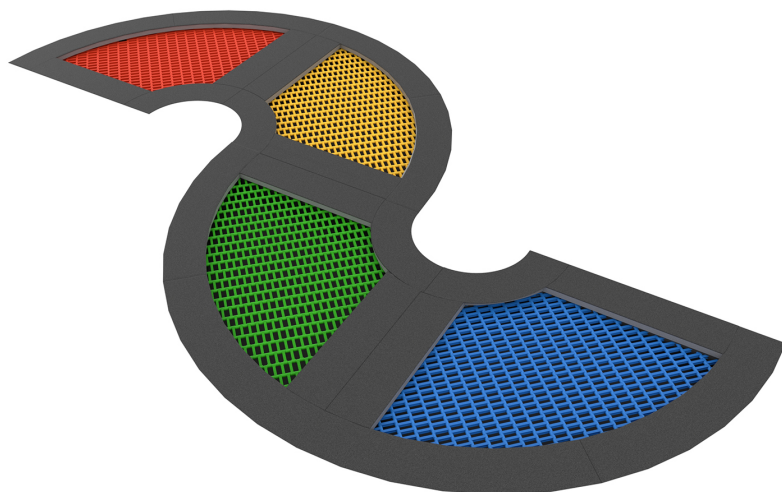


# JUMPOO 2222



4 - 15 years



4 kids



44,9 m<sup>2</sup>

## Material specification

- Construction made of hot-dip galvanised steel, mounted below the ground surface,
- The edges of the structure covered with a rubber rim - surface colored SBR glued to the frame,
- Jumping mat: made of polyamide lamellas, threaded on a stainless steel rope,
- Fastening on durable galvanized springs inside the structure,



**Physical development**

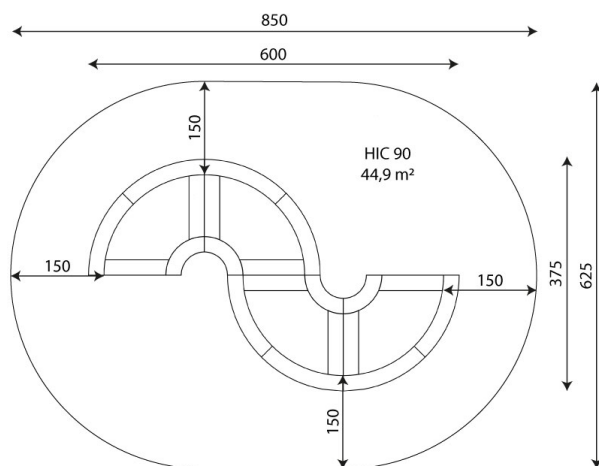


balance



community





## Product technical sheet

# JUMPOO 2222

### Product data

Length	600 cm
Width	375 cm
Age group	4 - 15 years
Number of users	4 kids
Safety zone	44,9 m <sup>2</sup>
Free fall height	90 cm
In accordance with norm EN	1176-1:2017
Availability of spare parts	YES
Color options	

Data is subject to change without prior notice.

### Additional information

- equipment intended for public playgrounds;
- equipment has a certificate issued by an accredited entity or a declaration of conformity;
- no sharp edges or chinks that would pose a danger of jimmie the head, fingers or any other body parts;
- render is for reference only, the actual appearance of the equipment and its color may vary;

## Guarantee

**30**

30 year guarantee - Structural strength of steel and stainless steel components

**15**

15 year guarantee - Structural failure of steel and stainless steel, for dynamic equipment

**10**

10 year guarantee - Structural failure of high density polyethylene and high pressure laminates components

**5**

5 year guarantee - Corrosion of stainless steel and hot dip galvanized and powder coated components; against bark beetles and rot in case of wooden structural elements

Detailed information in the guarantee card



## Surfaces according to EN 1176-1:2017

	Description (mm)	Layer thickness (cm)	Maximum fall heights (cm)
Turf/ top layer of soil (A,B,C)	-	-	≤100
bark (A,C)	Particle size from 20 to 80	30	≤200
		40	≤300
woodchips (A,C)	Particle size from 5 to 30	30	≤200
		40	≤300
sand or gravel (A,C)	Particle size from 0,25 to 8	30	≤200
		40	≤300
synthetic attested (A,B,C)	Tested according to EN 1177		90

## Product technical sheet

# JUMPOO 2222

### Amount of safe surface corresponding with free fall height:

HIC 90 44,9 m<sup>2</sup>

Data is subject to change without prior notice.

