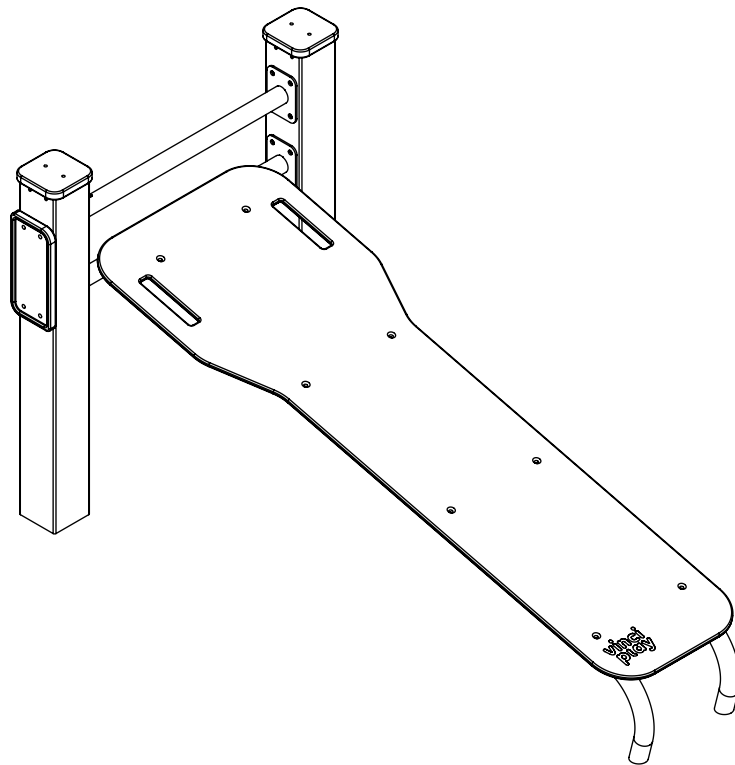
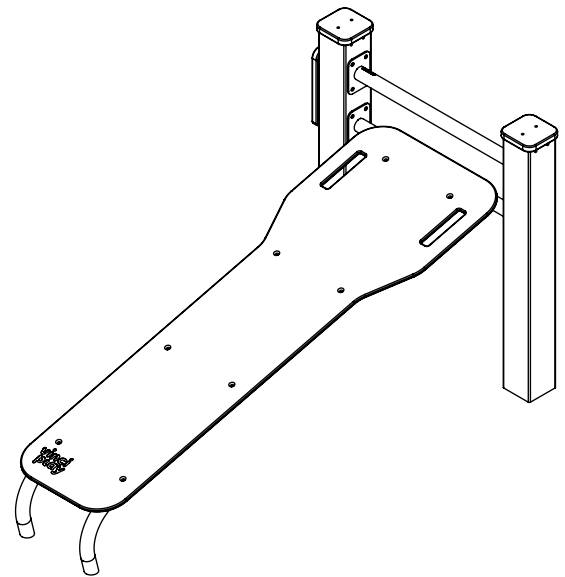
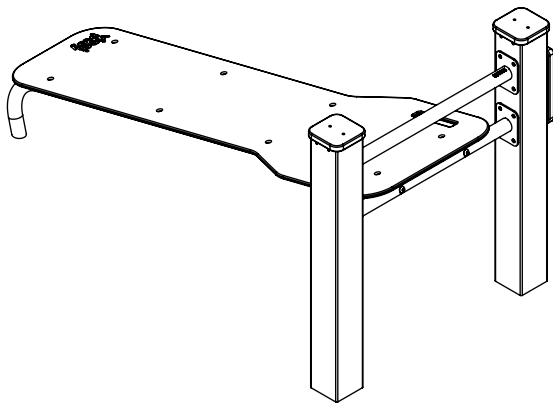
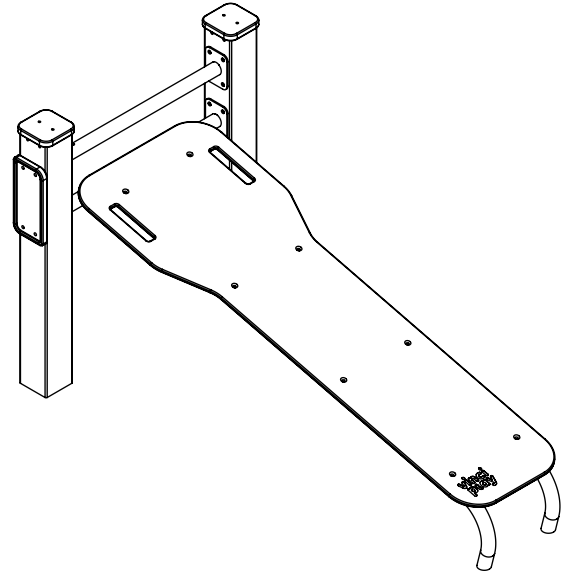
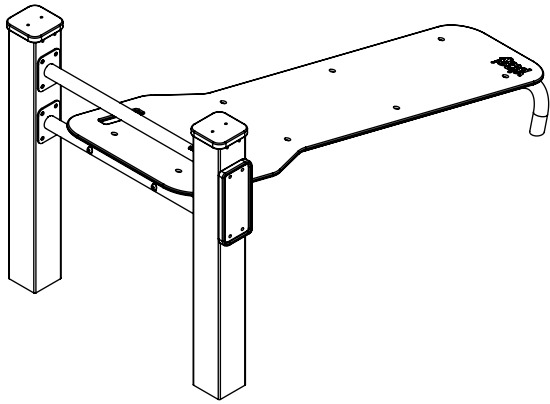


2305



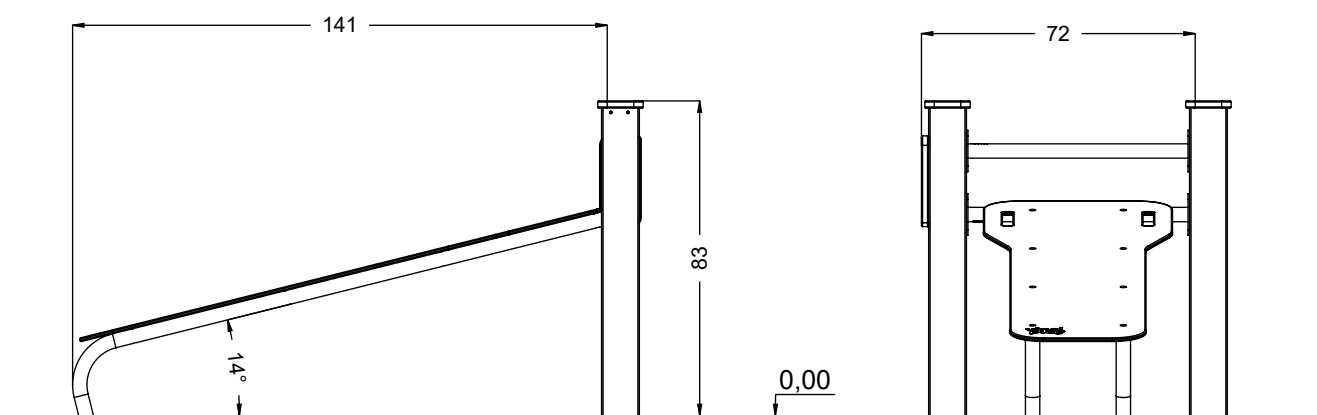
v010
28.05.2021
A. H.
[cm]

vinci
play



[cm]

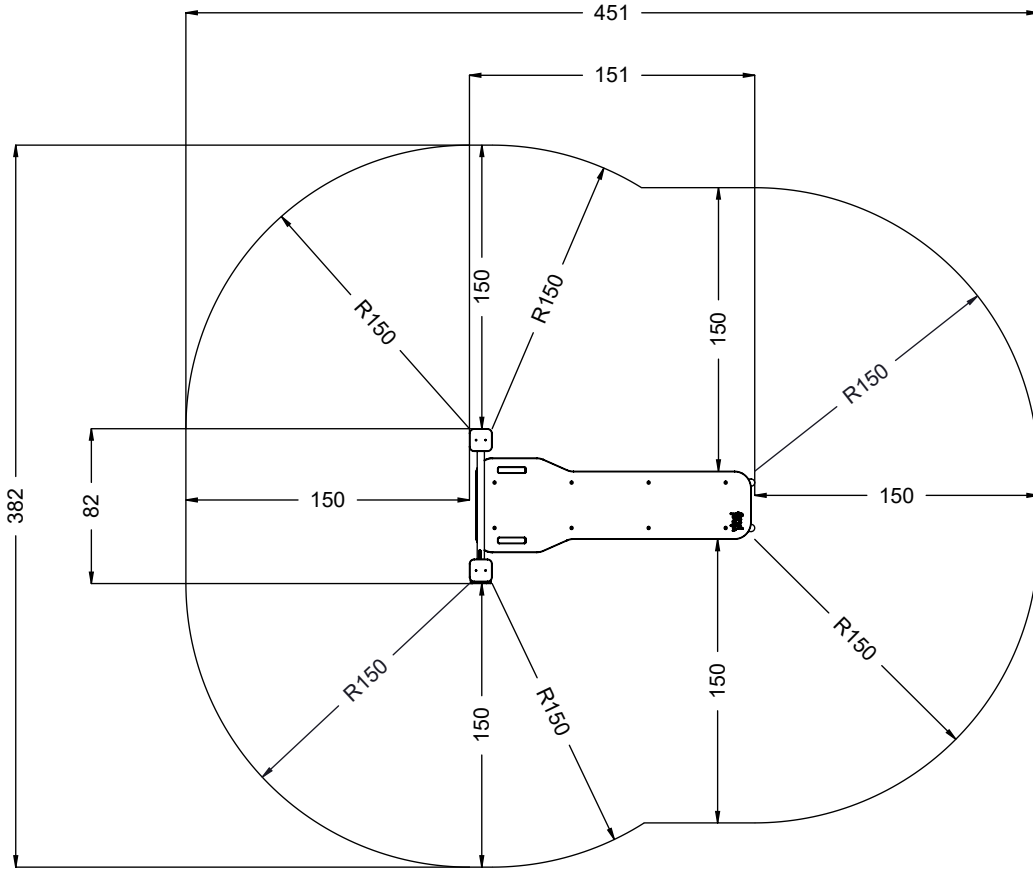
vinci
play



[cm]



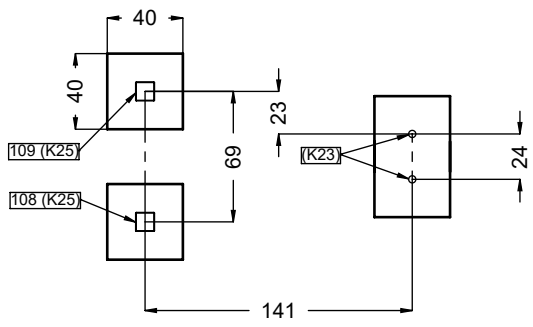
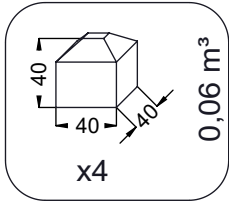
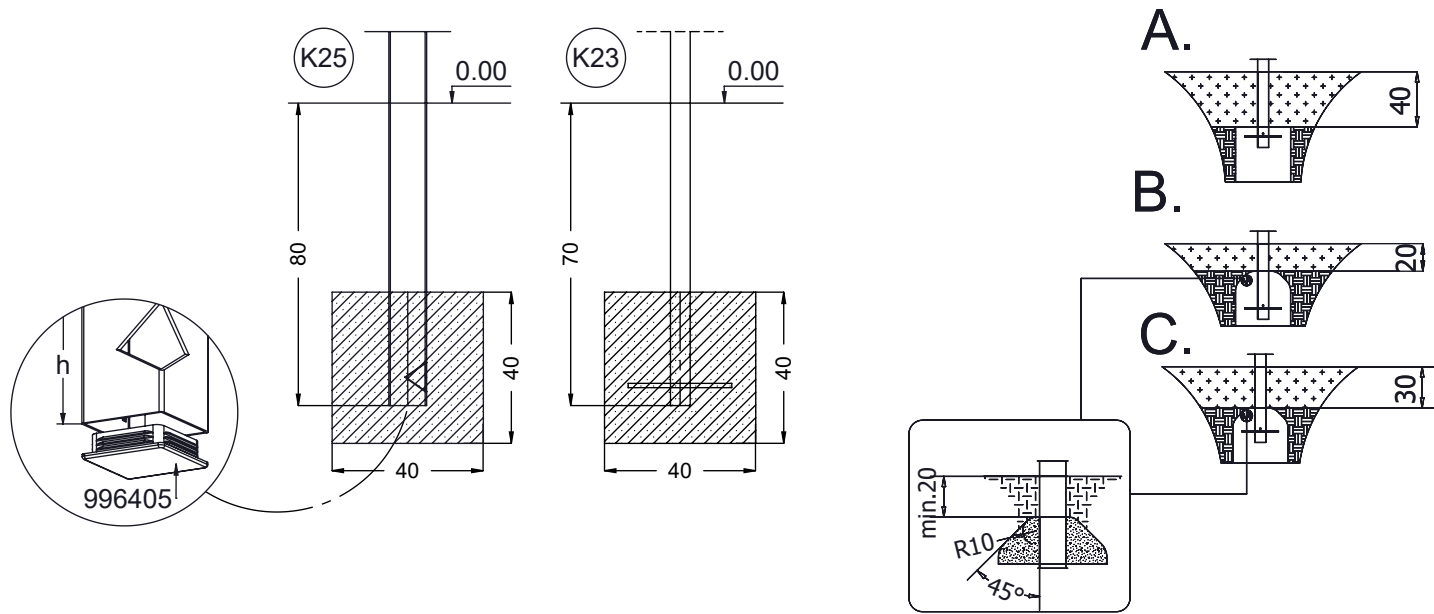
vinci
play



[cm]



vinci
play



[cm]

x2
 1,5h

 48h
 K25 x4 >0,06m³

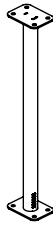
vinci play



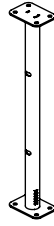
237108
x1



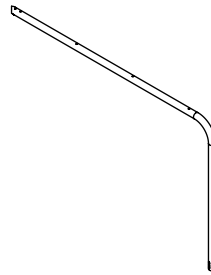
237109
x1



232104
x1



232105
x1

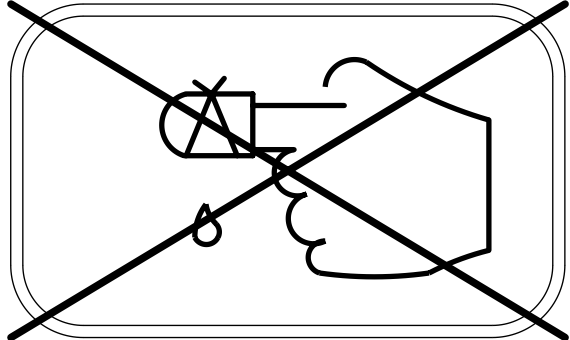
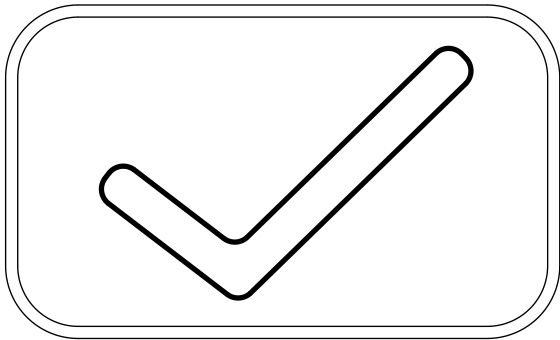
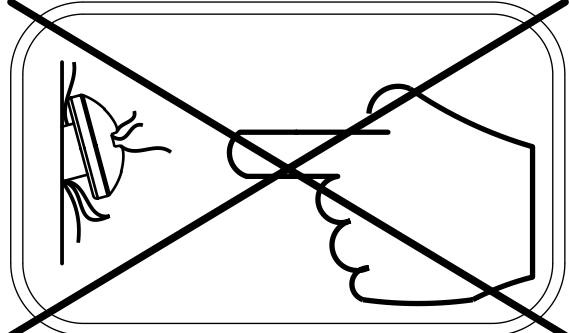
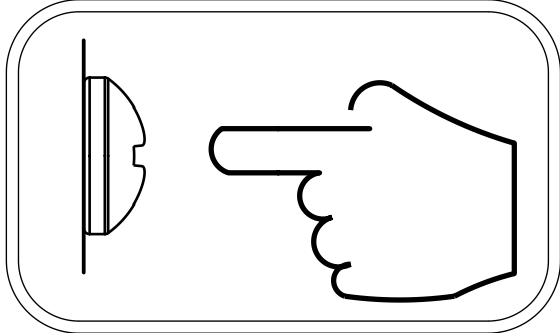
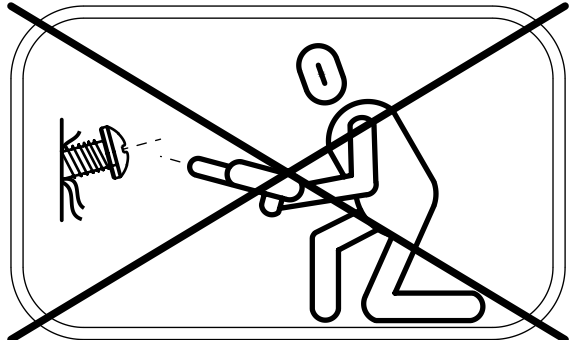
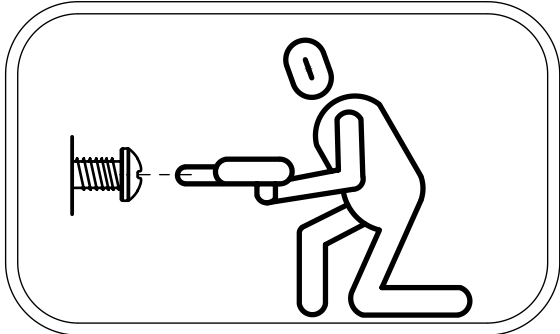


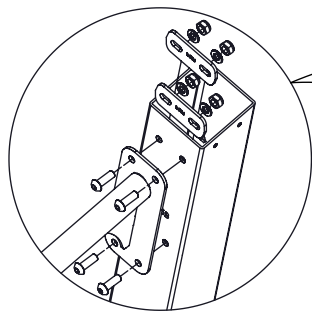
232103
x2



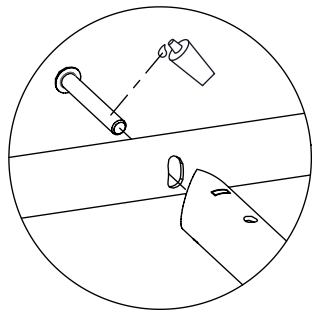
231100
x1

ST/INOX	
2x	23e001
4x	23e004
1x	23e040
1x	23e042
1x	23e003
1x	236105
2x	996405

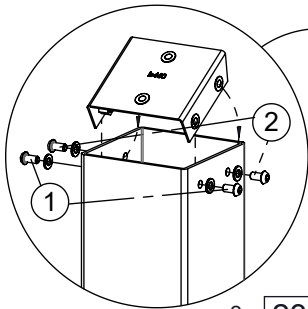
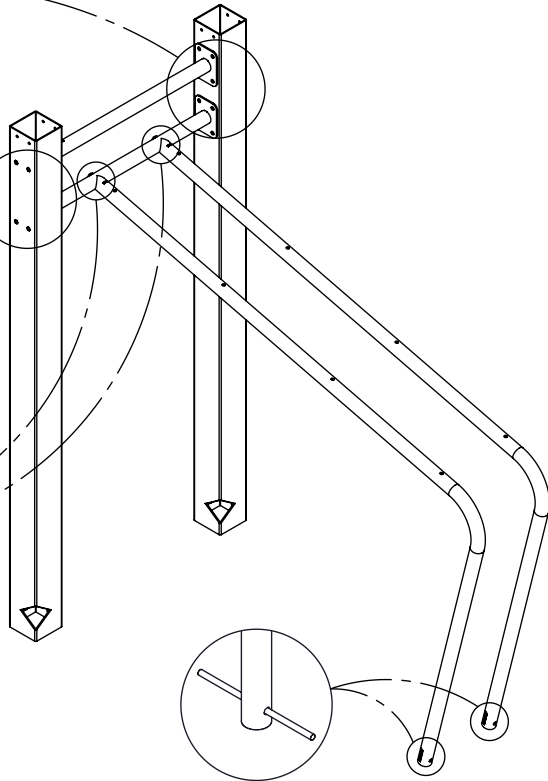




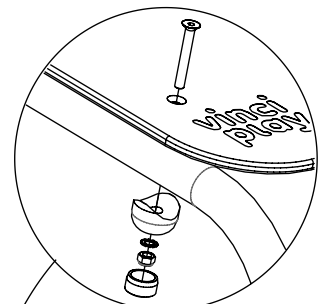
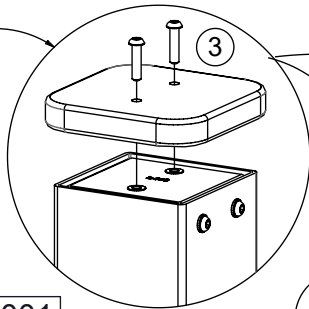
4x 23e004



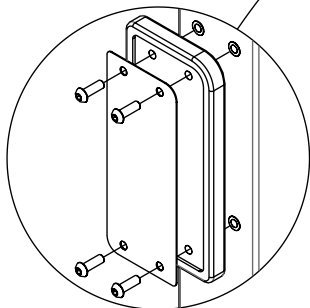
1x 23e042



2x 23e001

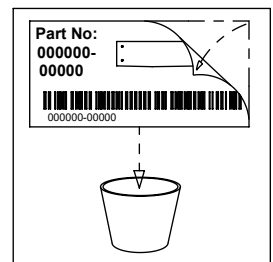
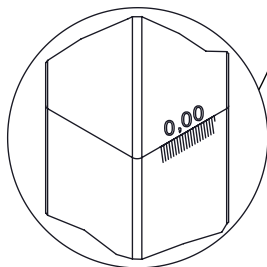


1x 23e040



1x 23e003

1x 236105



[cm]



vinci play