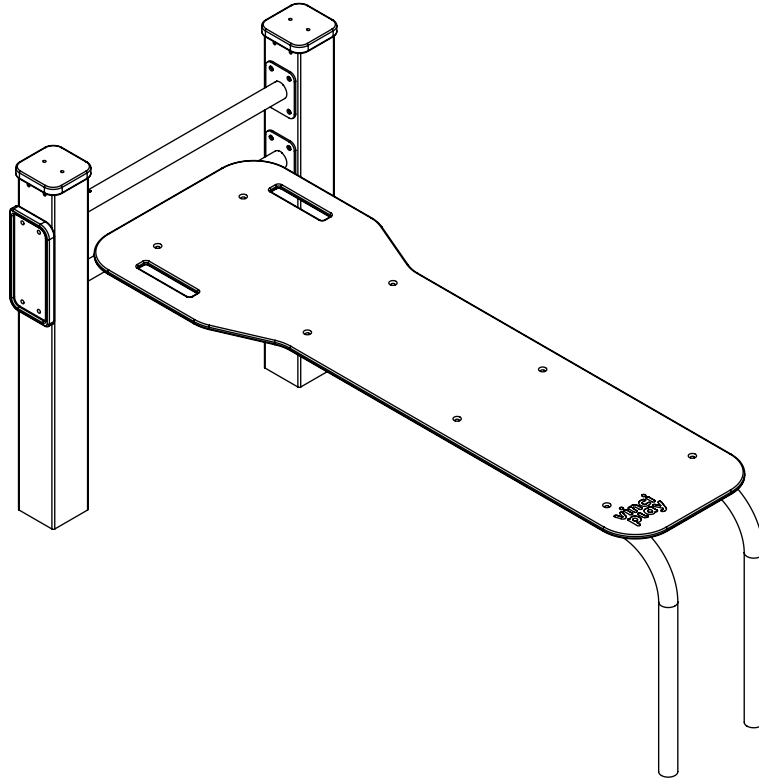


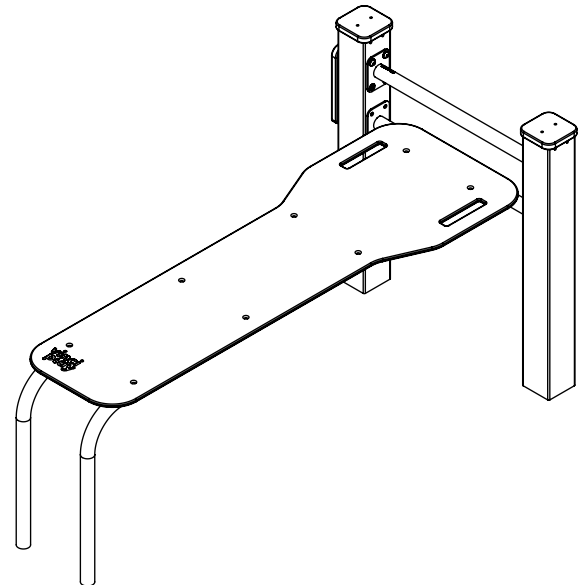
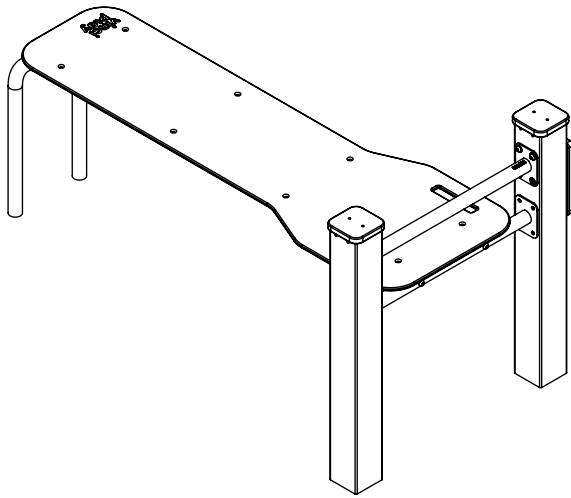
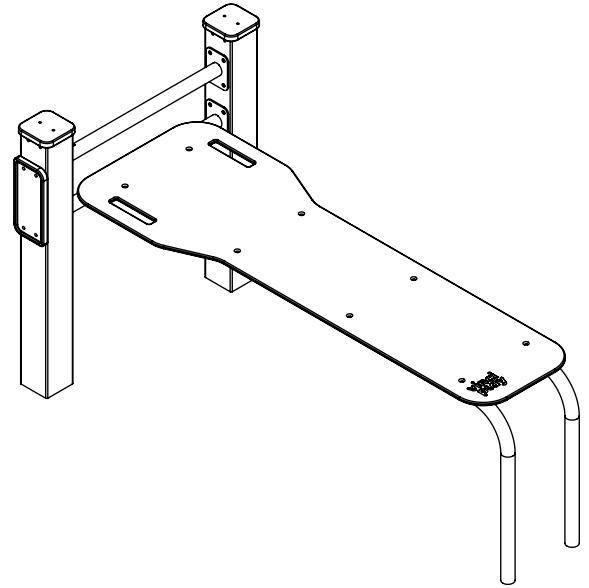
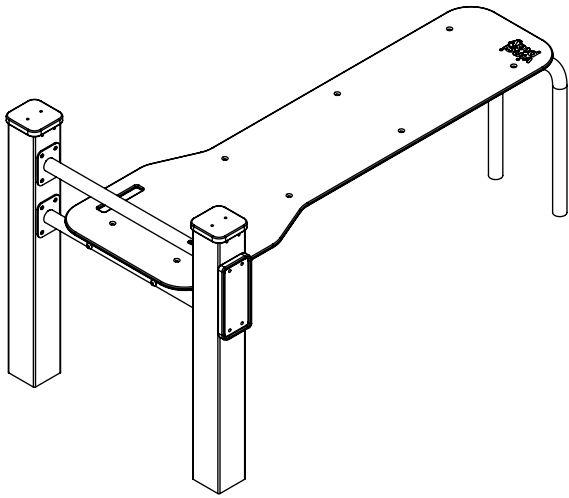
2306



v010
28.05.2021
A. H.
[cm]

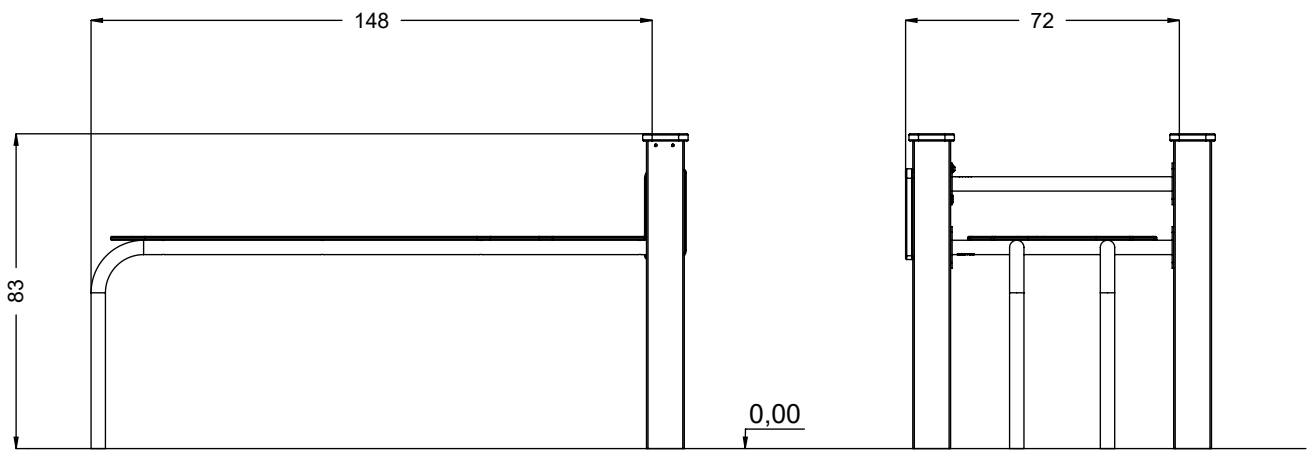


vinci
play



[cm]

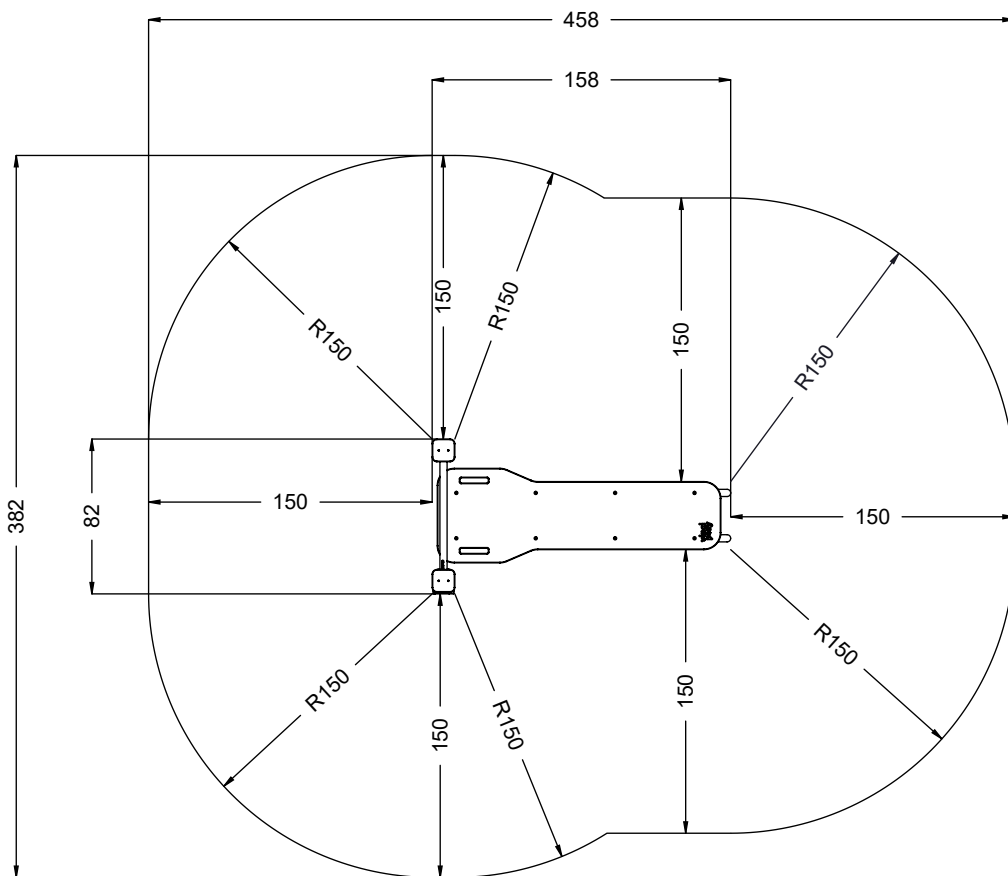
vinci
play



[cm]



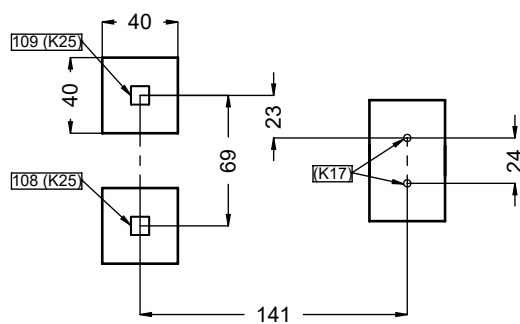
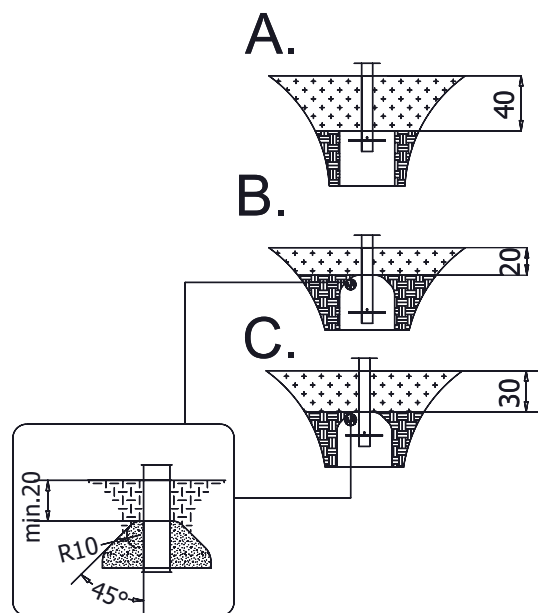
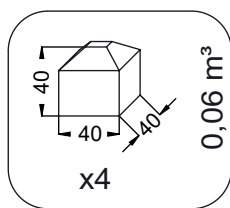
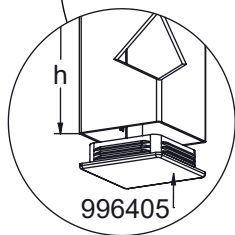
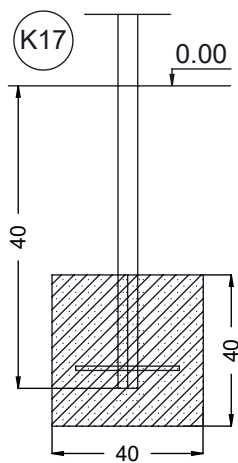
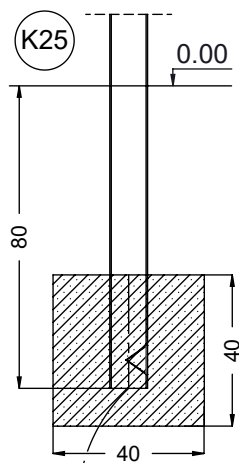
vinci
play



[cm]



vinci
play



[cm]



1,5h



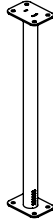
vinci
play



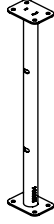
237108
x1



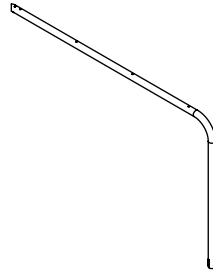
237109
x1



232104
x1



232105
x1



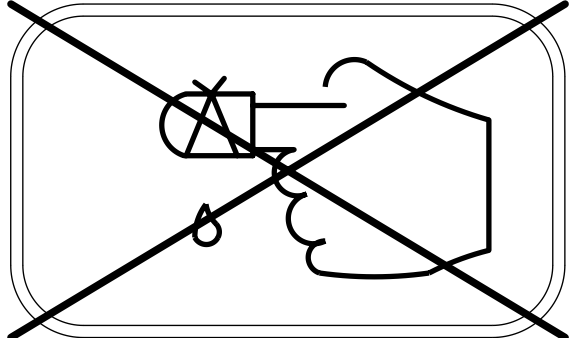
232103
x2

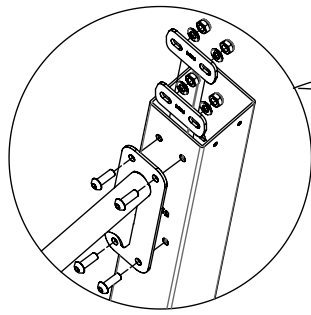


231100
x1

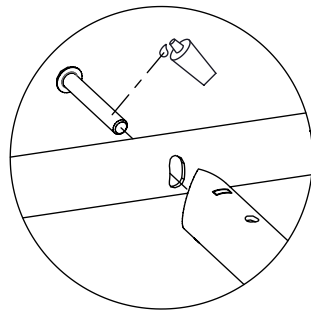
ST/INOX

2x	23e001
4x	23e004
1x	23e040
1x	23e042
1x	23e003
1x	236106
2x	996405

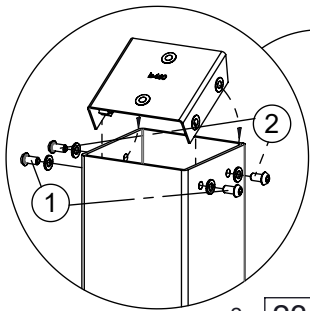
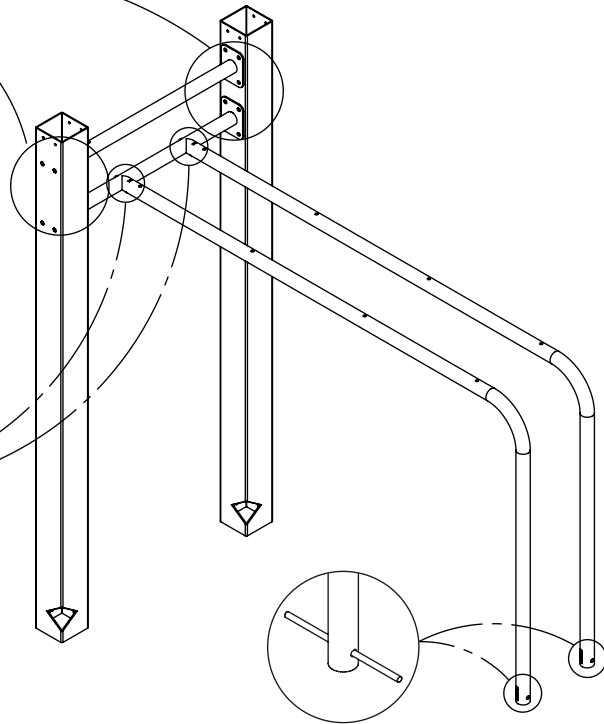




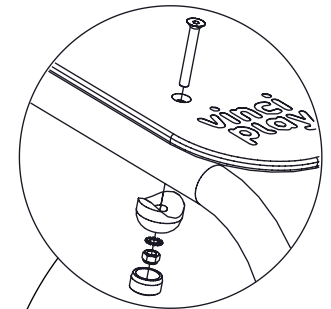
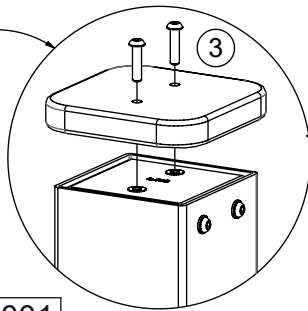
4x **23e004**



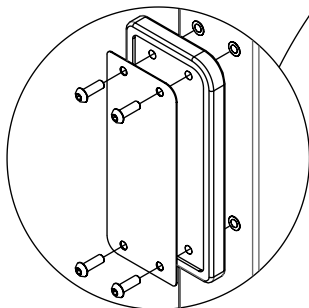
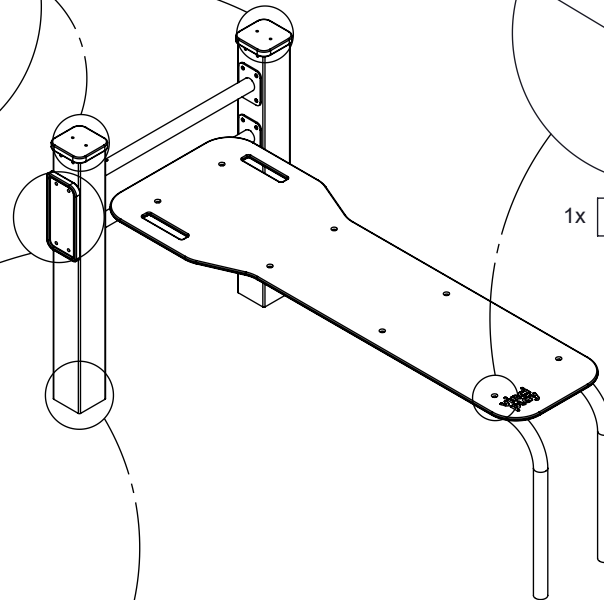
1x **23e042**



2x **23e001**

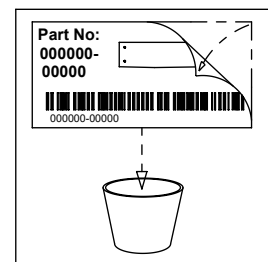
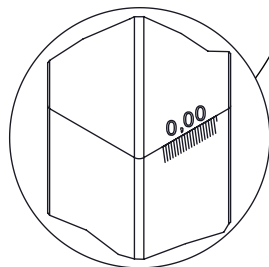


1x **23e040**



1x **23e003**

1x **236106**



[cm]



vinci
play