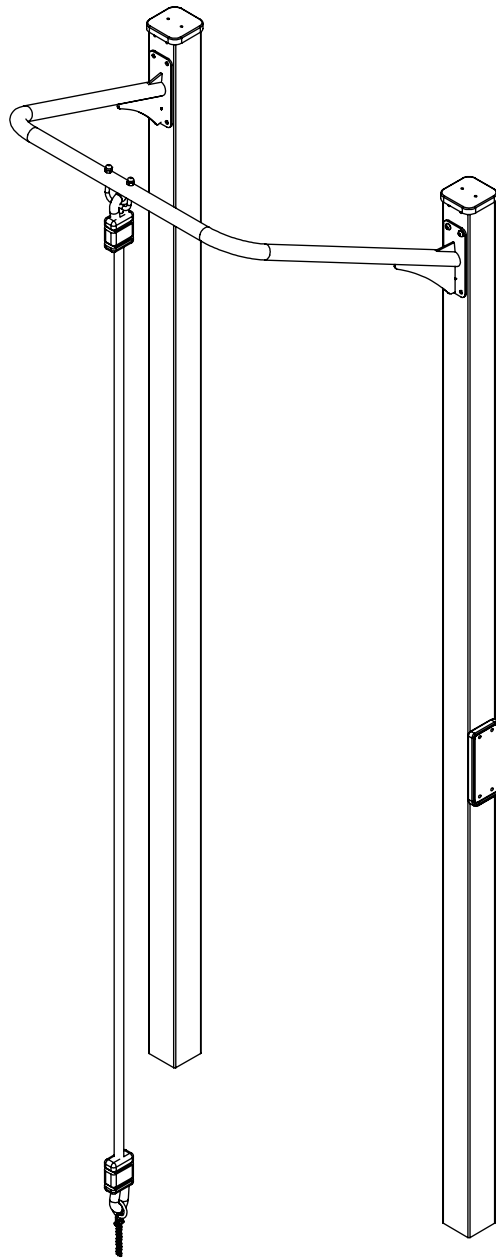
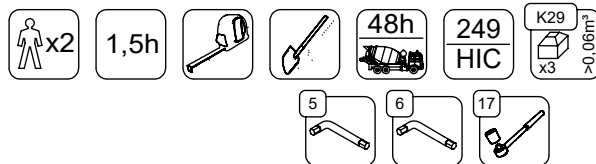


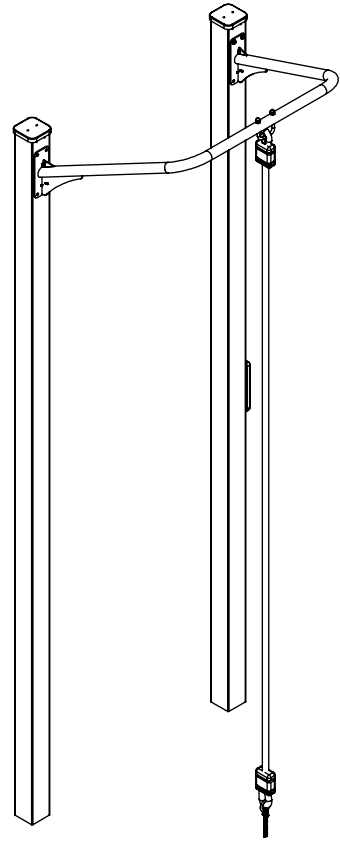
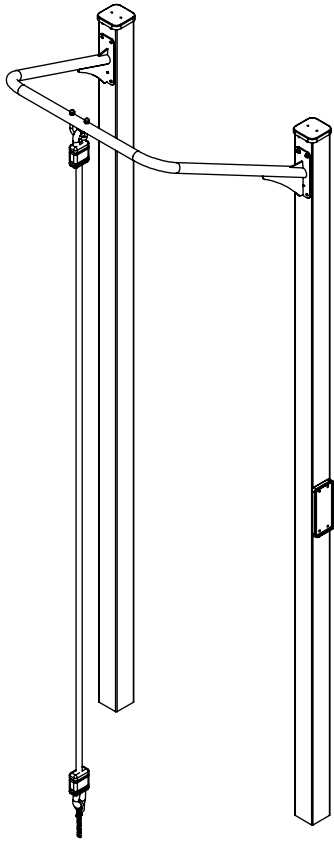
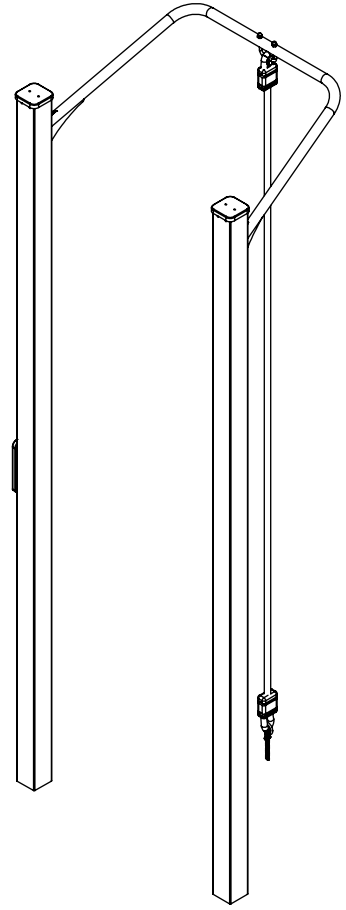
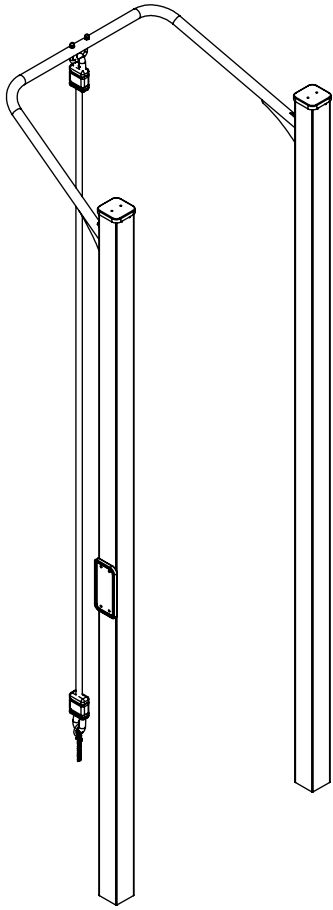
2312



v011
05.07.2023
K. M.
[cm]

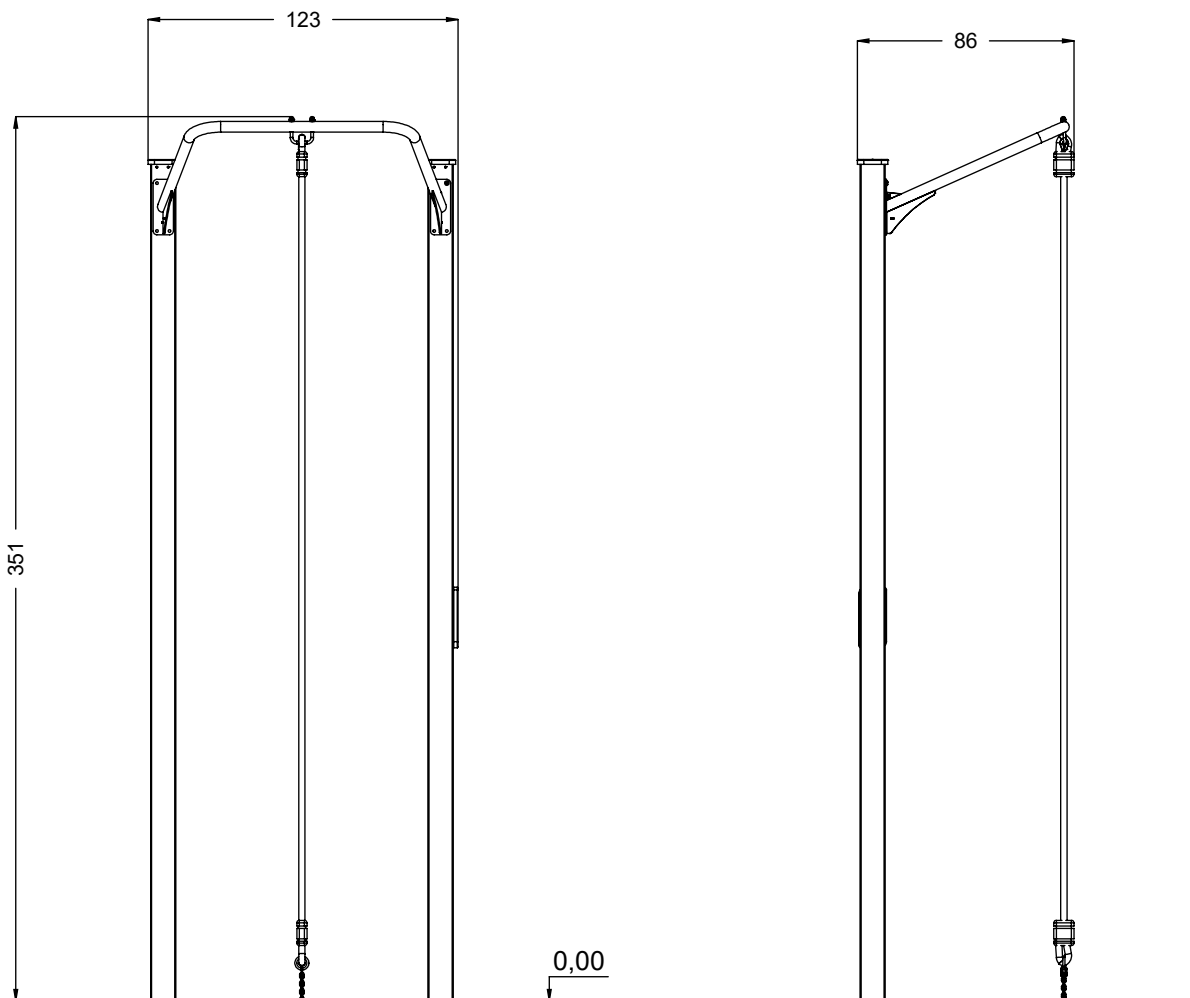


vinci
play



[cm]

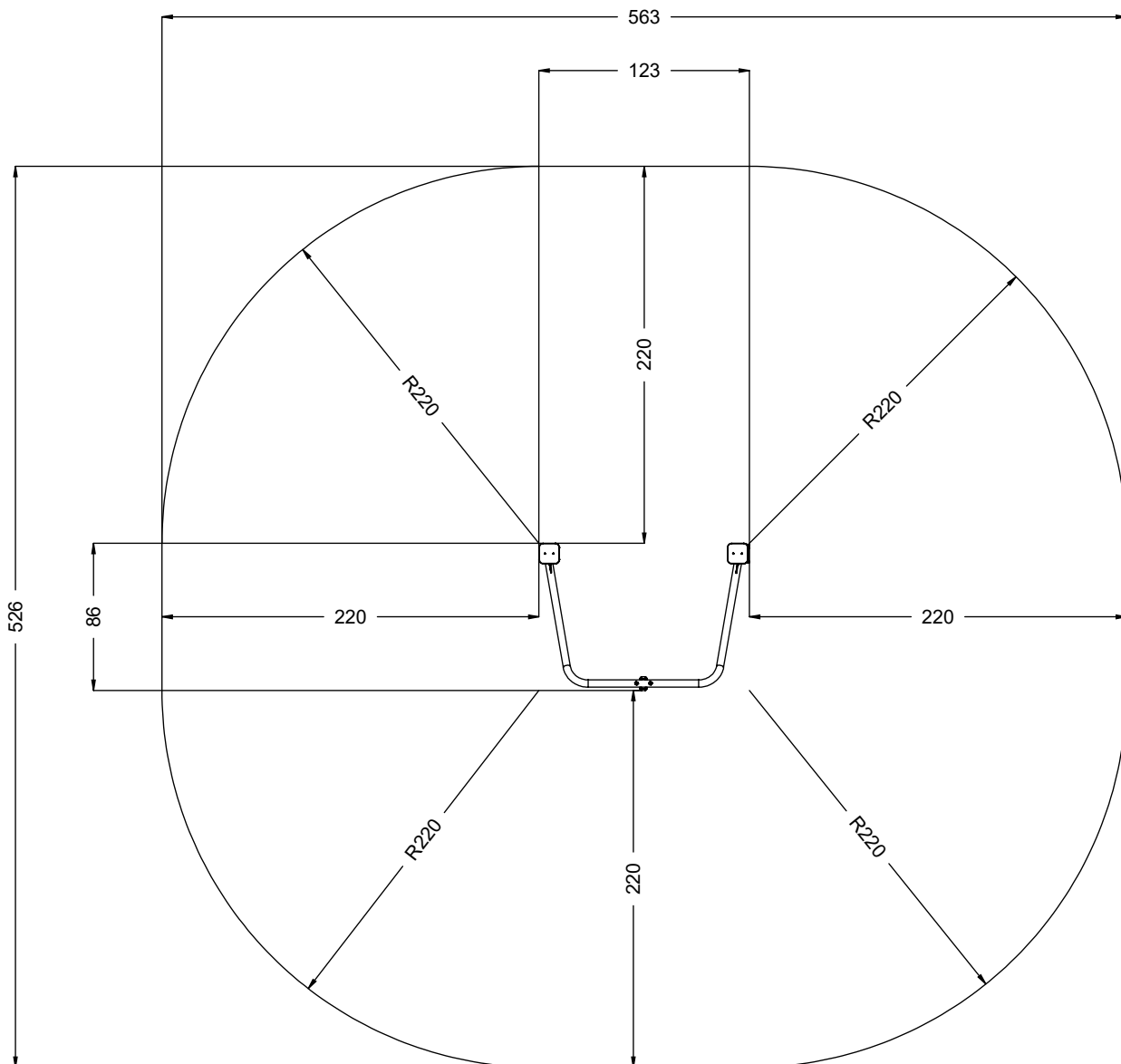
vinci
play



[cm]



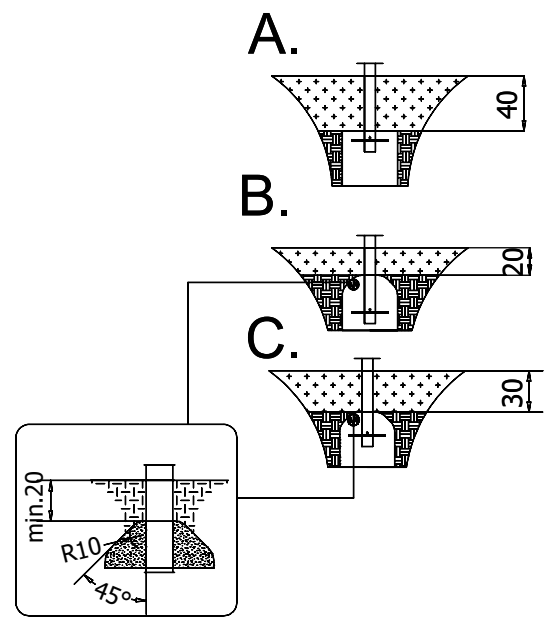
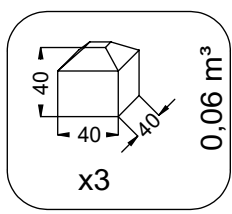
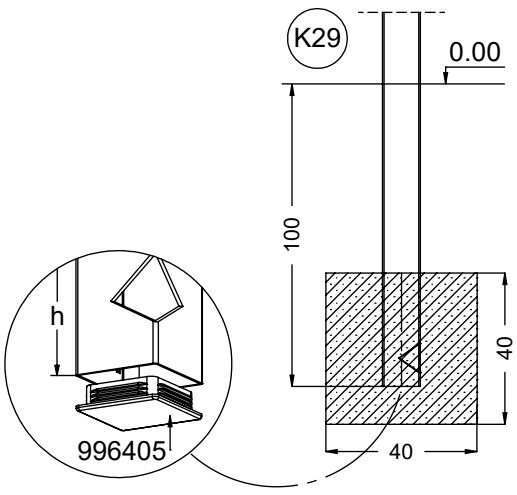
vinci
play



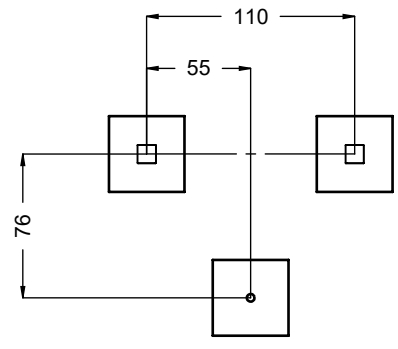
[cm]



vinci
play



K29



[cm]

x2
 1,5h

 48h
 K29 x3 >0,06m³

vinci play



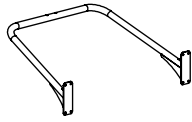
237170
x1



237171
x1

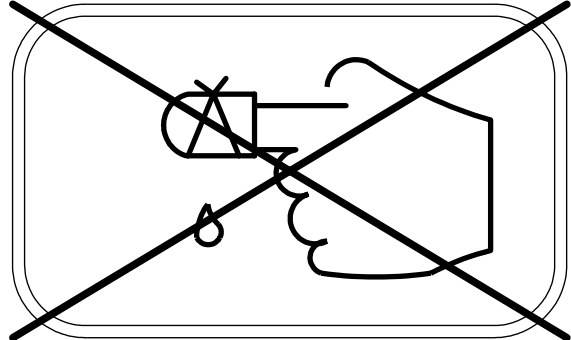
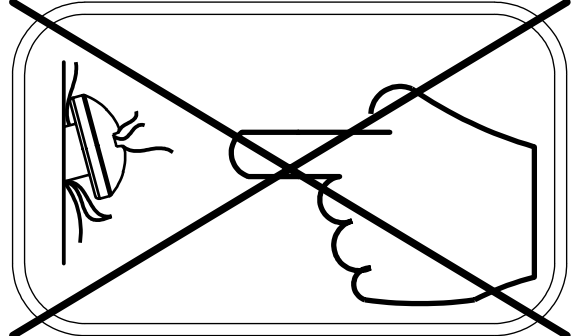
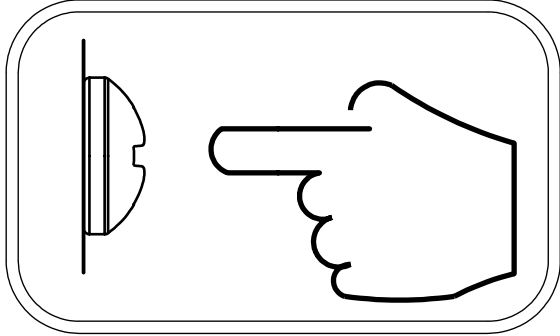
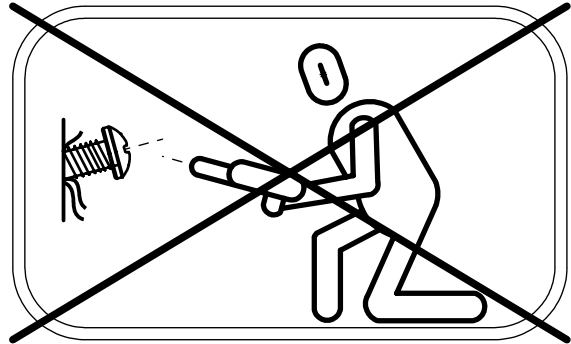
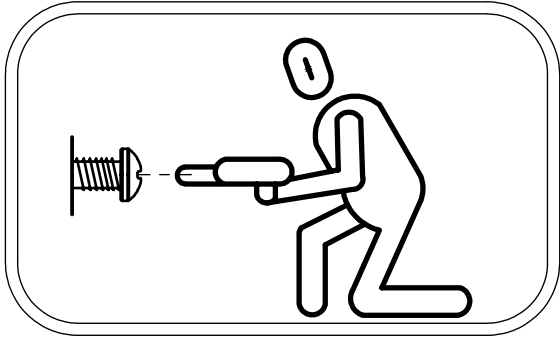


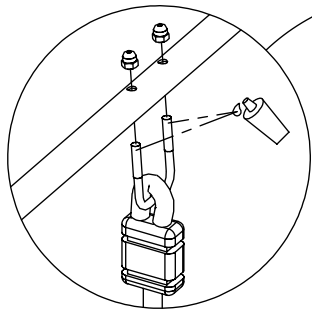
996409
x1



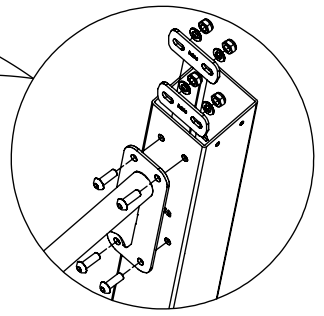
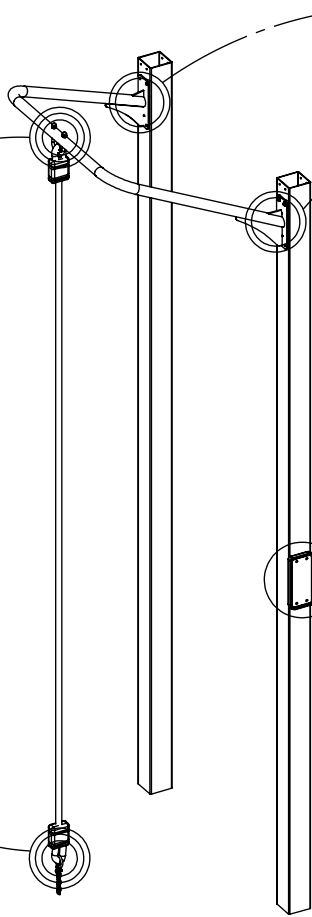
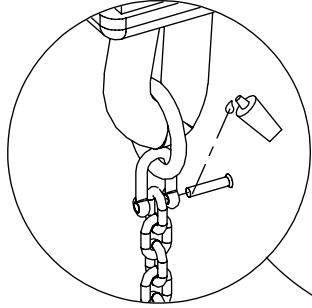
232113
x1

ST/INOX	
2x	23e001
2x	23e004
1x	23e046
1x	23e003
1x	236112
2x	996405
1x	WD52

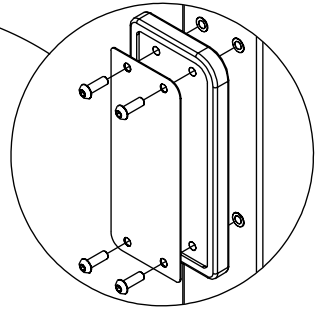




1x 23e046

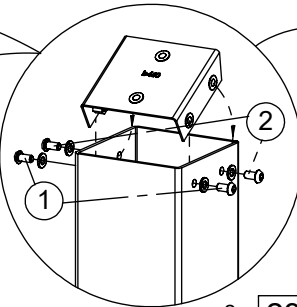
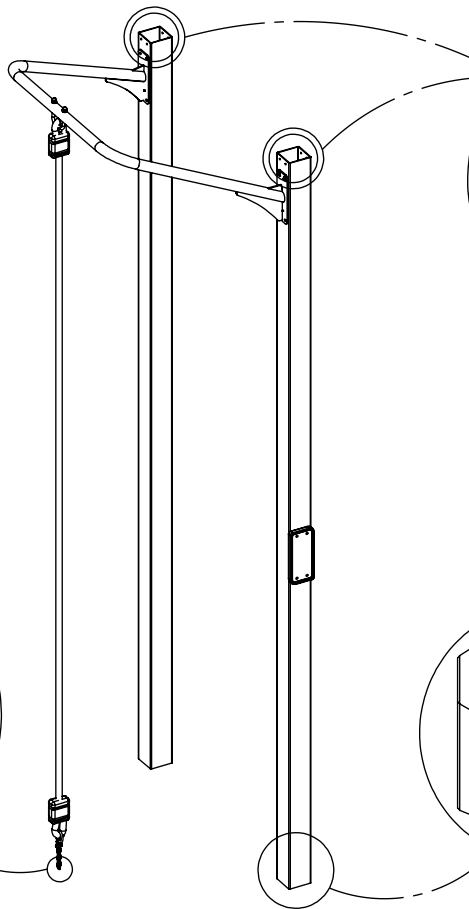


2x 23e004

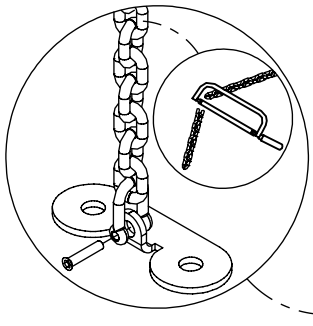
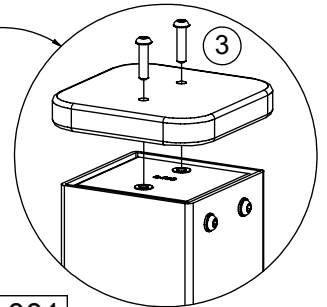


1x 23e003

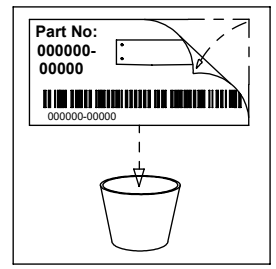
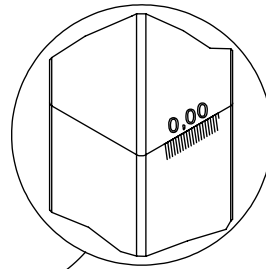
1x 236112



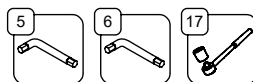
2x 23e001



1x WD52



[cm]



vinci play