

Mud Kitchen 2



| |
|------------------------------|
| Code – MUD/2 |
| Age |
| 3-7 years |
| Materials |
| Compact Grade Laminate (CGL) |
| Sawn Timber |
| Stainless Steel |
| Bolts |
| Various Plastic Mouldings |

Product Description

An easy clean mud kitchen that encourages imaginative and cooperative play.

Technical Information

Equipment Dimensions

Length / Width / Height **1.6m x 0.8m x 0.6m**

Surfacing and Area Required

Recommended Minimum Space L/W/H **3.6m x 2.8m x 3.1m**

Max Gradient of Ground **1 in 30**

Free Height of Fall **N/A**

Suggested Hardstanding **9.2m²**

Synthetic Area
(i.e. EPDM / Wetpour / Synthetic Grass etc.) **N/A**

Loosefill at 150mm
(i.e. Bark / Cushionfall / Sand) **N/A**

1m x 1m Grassmats **N/A**

Installation Information

SGF

SF (if different)

Installation Time **1 Person(s) 8 Hour(s)**

Overall Weight **50kg** **48kg**

Heaviest Part **12kg** **12kg**

Largest Part **0.8m x 0.7m x 0.1m** **0.8m x 0.7m x 0.1m**

Longest Part **0.9m** **0.9m**

Concrete Required **0.17m³** **0.17m³**

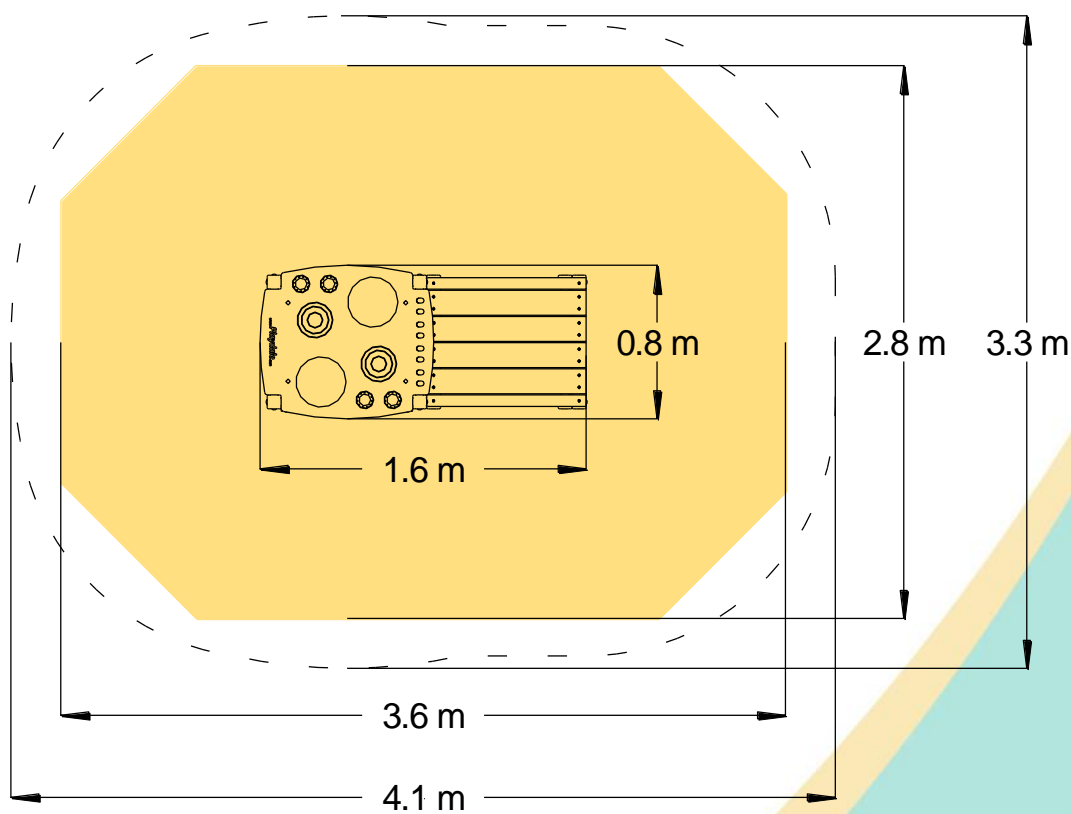
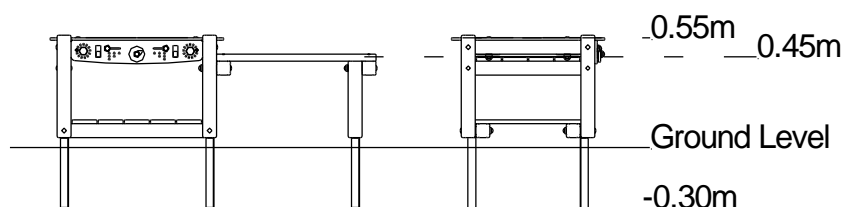
Certified to ASTM F1487

[Click here for more information & downloads](#)



<https://www.playdale.co.uk/playground/educational-play/mud-kitchen.html>

-  Loosefill Area
-  Suggested Hardstanding
-  Free Space
-  Unit Spacing Boundary



[Click here for more information & downloads](#)

