

Mc.Bar table

step-by-step mounting

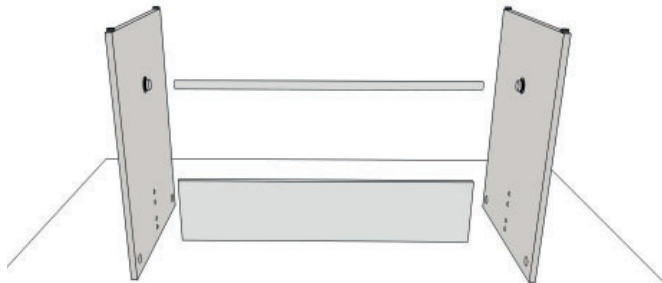
Step 1:

Lay tabletop on the floor (to protect from damages have a carpet or carboard underneath).



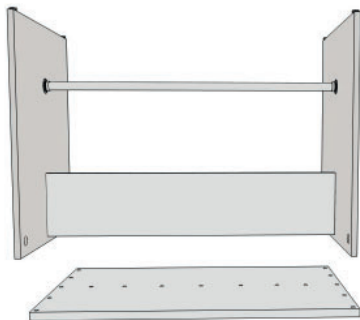
Step 2:

Connect sides with bar and footrest

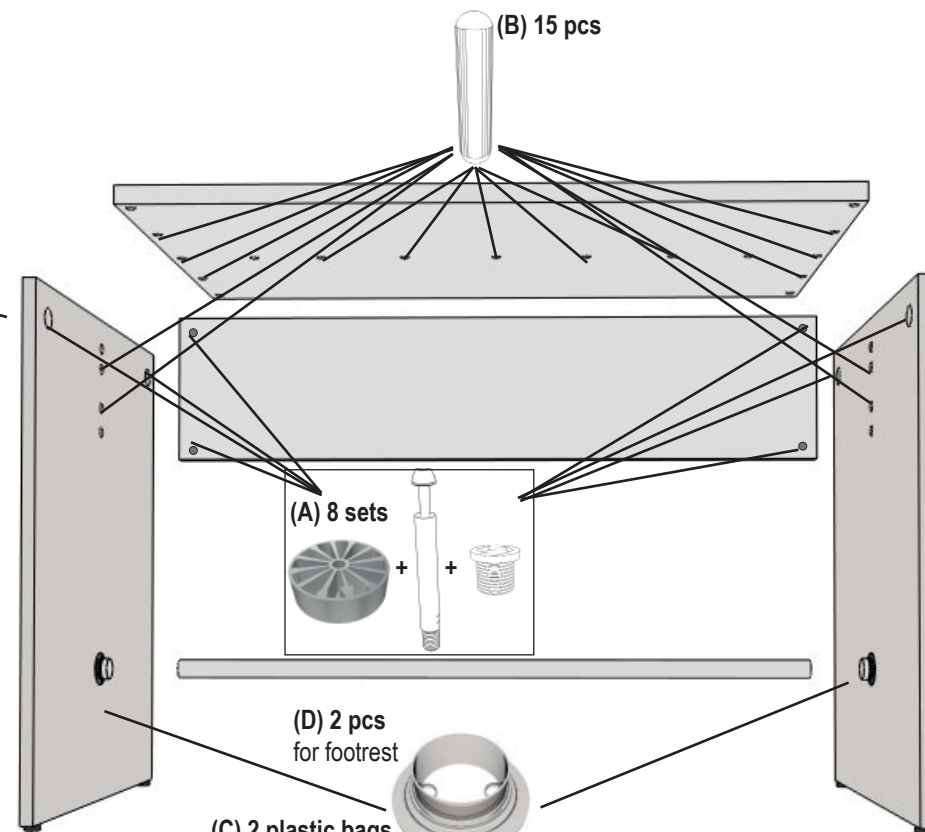


Step 3:

Connect sides/bar/footrest with tabletop. Cover outside holes with plastic buttons



(E) 8 plastic buttons
for covering outside holes



(C) 2 plastic bags
containing 2 + 4 screws
and torx tool

Contains:

- (A) 8 sets of locking bolt and sylinder
- (B) 15 pcs wooden plugs
- (C) 2 sets of 2+4 screws + torx tool in plastic bags
- (D) 2 pcs for footrest
- (E) 8 pcs plastic cover buttons