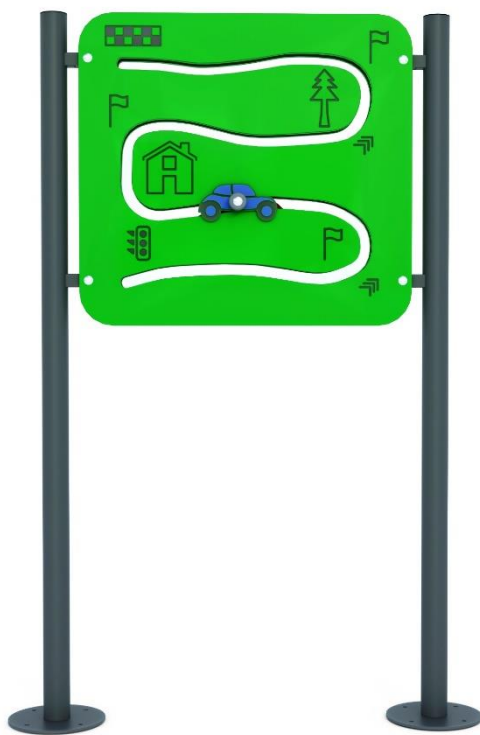




TERMA Inclusive Tracking Play Panel



Inclusion • Fun • Rehabilitation

TERMA Sp. z o. o.
Czaple 100 | 80-298 Gdańsk | www.termagroup.pl | NIP: 583-10-18-844 | REGON: 190558447 | nr BDO: 000003524
Sąd Rej. w Gdańsku, VIII Wydz. Gosp. | KRS nr 0000069067 | kapitał zakładowy 2 360 500 PLN | konto: ING Bank Śląski S.A. 88 1050 1764 1000 0023 0692



MASZYNY BUDOWLANE //// PRODUKTY GRZEWCZE //// PRODUKTY MEDYCZNE //// USŁUGI PRZEMYSŁOWE



Product code: WDTAB02

Product designation:

Inclusive Tracking Pay Panel is a device that combines a therapeutic and play function at the same time. In addition to playgrounds at rehabilitation facilities, the device is perfect for public playgrounds, in schools and kindergartens where children with various levels of fitness attend, as well as in nursing homes for seniors. The device complies with the PN-EN 1176 standard.

Materials:

Construction: black steel profile with epoxy primer and powder coated, stainless steel

Cubes: HDPE board 12 mm thick, milled

Foundation: concrete minimum B-15 class

Dimensions:

Outer dimensions: 1603 x 926 mm x 184 mm

Height of the device measured from the ground level: 1469 mm

Height of the first cube measured from the ground level: 715 mm

Panel distance from ground level: 690 mm

The number of objects rolling on the track: 2

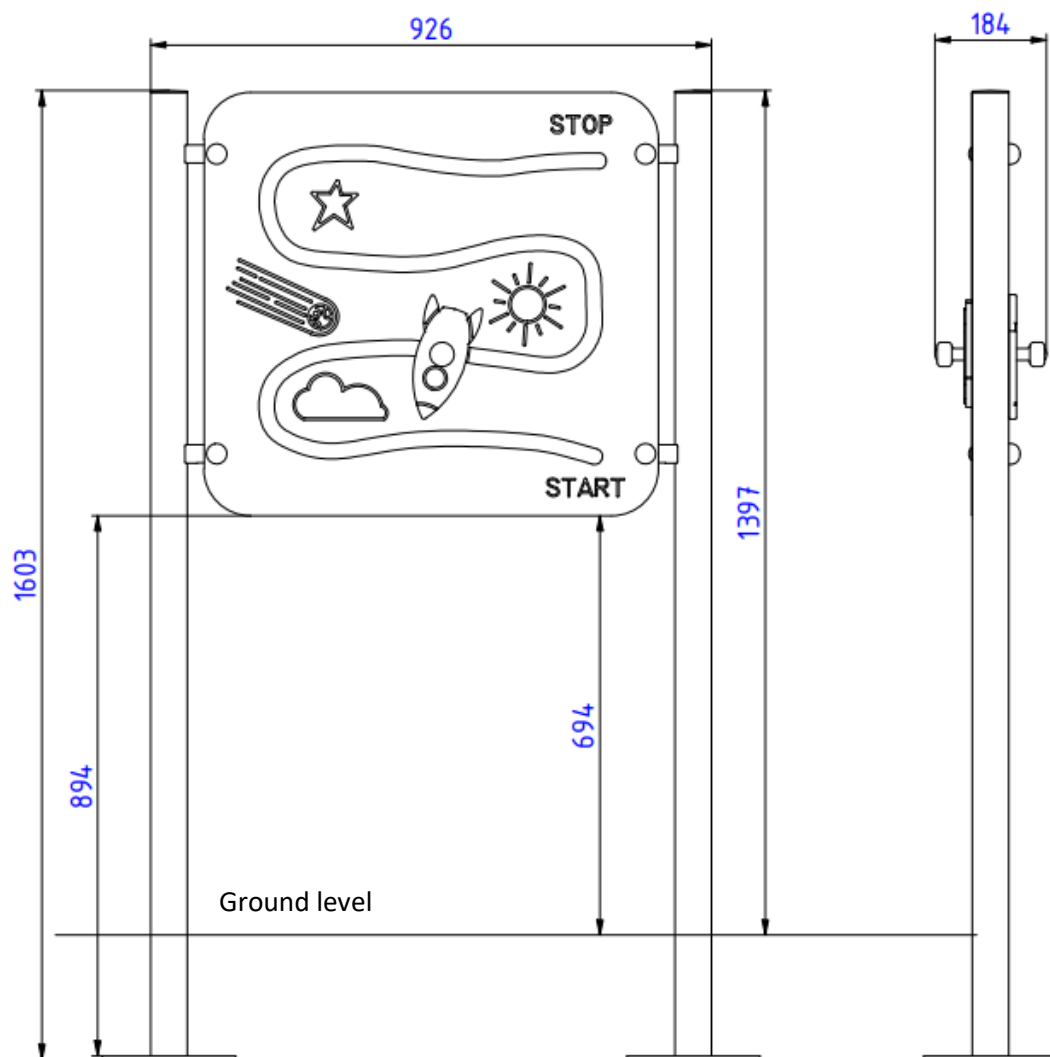
Weight of the device: 45 kg

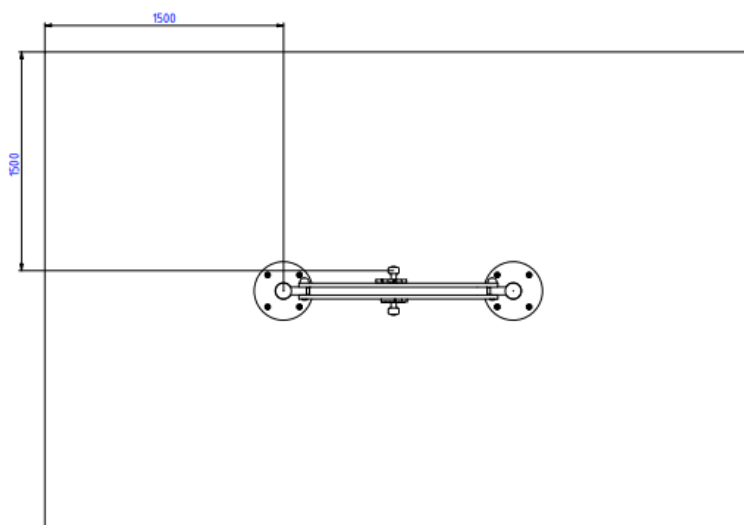
Foundation depth: 540 mm

Diameter of the main profile: Ø60

Free fall height: none

Safety area: 1500 mm from each outer edge of the device





Dimensions of the TERMA Inclusive Tracking Play Panel

Safety:

TERMA Inclusive Tracking Play Panel complies with EN 1176.

Installation:

Anchoring to the ground. Amortization layer is needed. Homogeneous surface is necessary. Make sure to provide appropriate surface surrounding the roundabout for the wheelchair users easy access!

Features of use:

The TERMA Inclusive Tracking Play Panel affects the possibility of integrating people with different levels of ability on the playground. The device can be used by people without disabilities and people in a wheelchair or with intellectual disabilities. The device allows you to play with simultaneous therapy in terms of motor skills and cognitive development. It has no access barriers.

The project is in line with the assumptions of universal design, i.e. accessible to all potential users, both able-bodied and disabled.

Manufacturer:



TERMA Sp. z o.o.
Czaple 100, 80-298 Gdańsk, Poland
M: +48 / 609 900 451
produktymedyczne@termagroup.pl
www.termamed.pl
www.facebook.com/termaplay