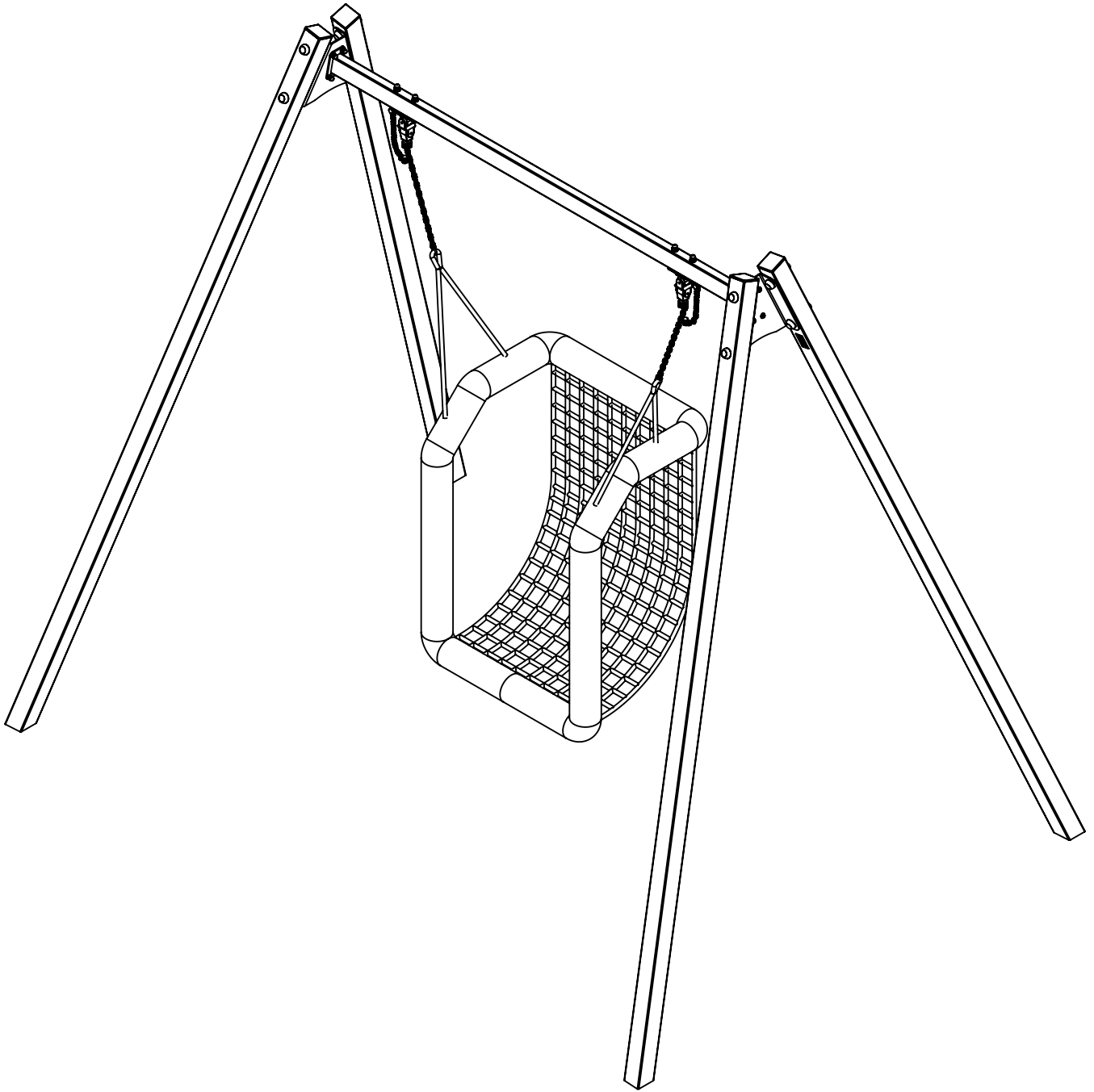
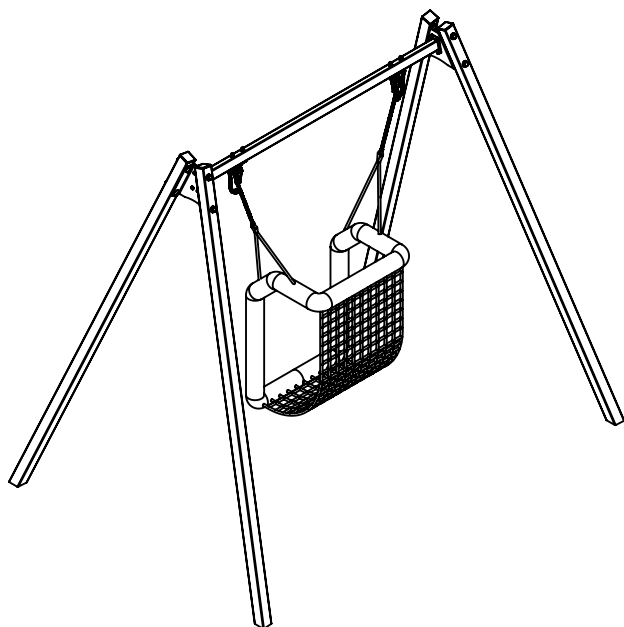
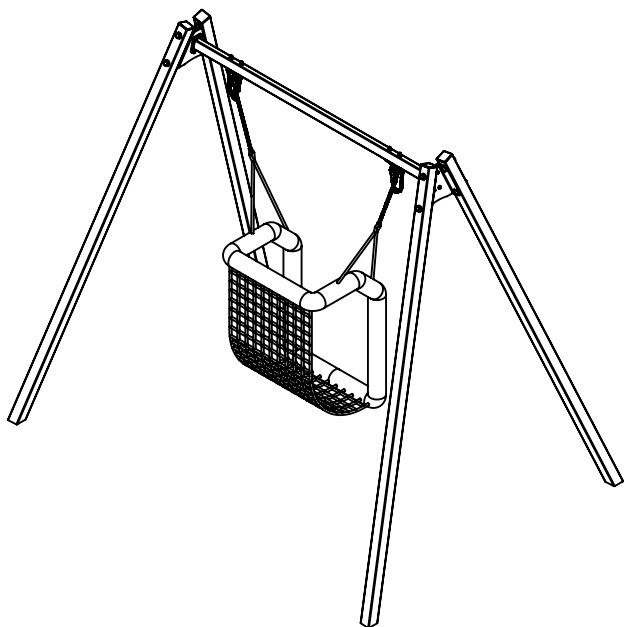
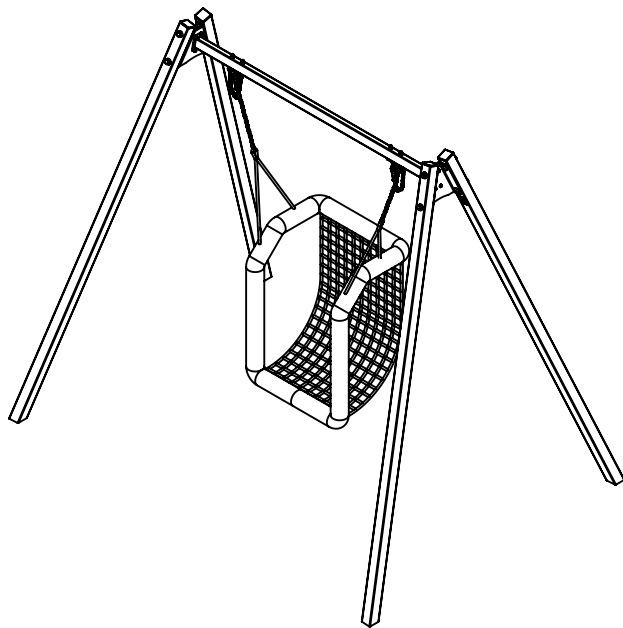
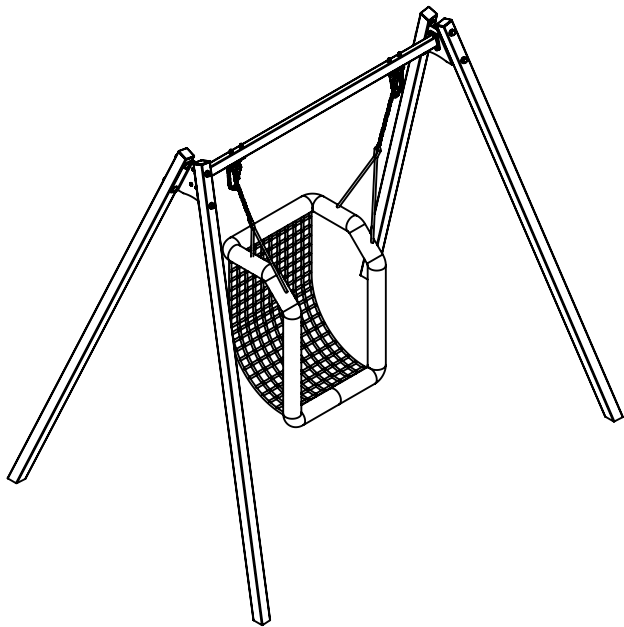


ST0517



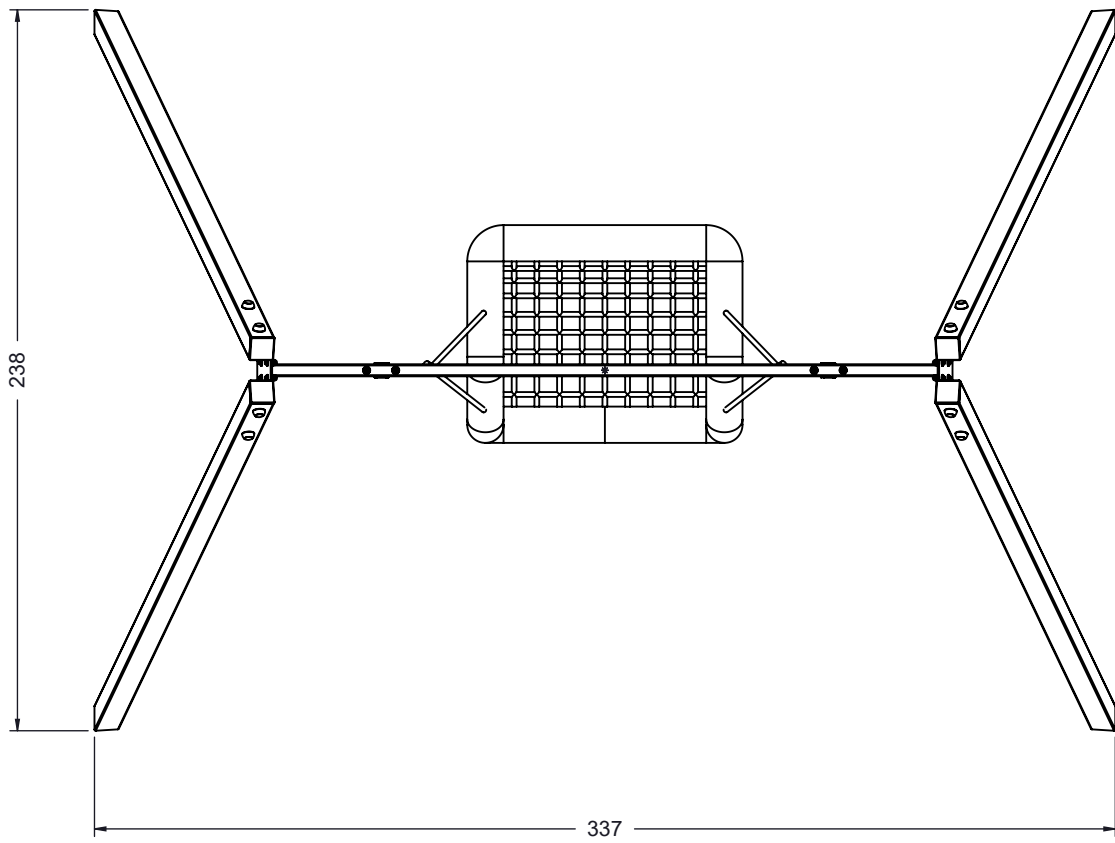
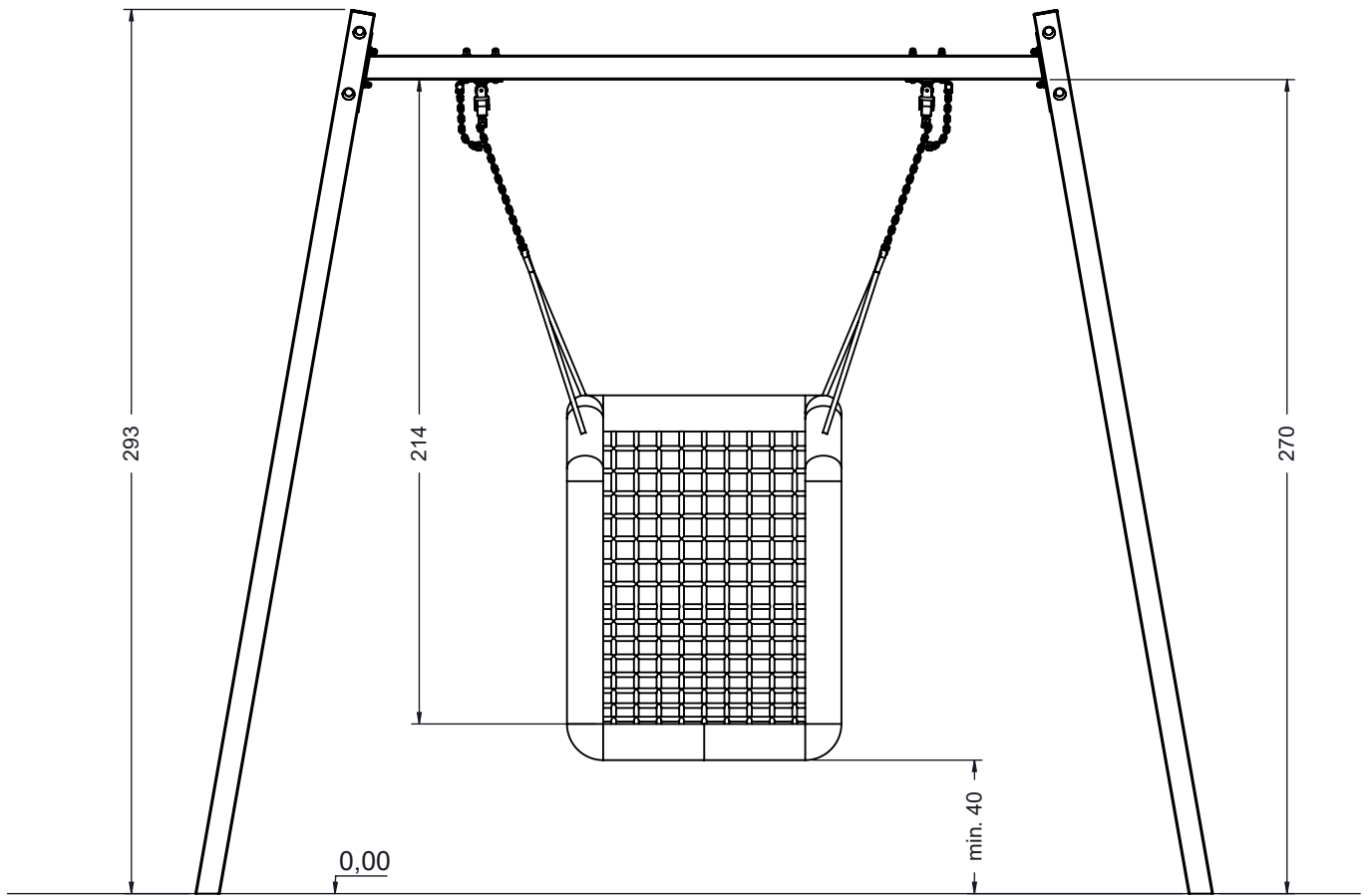
v012
20.03.2021
A. H.
[cm]

vinci
play



[cm]

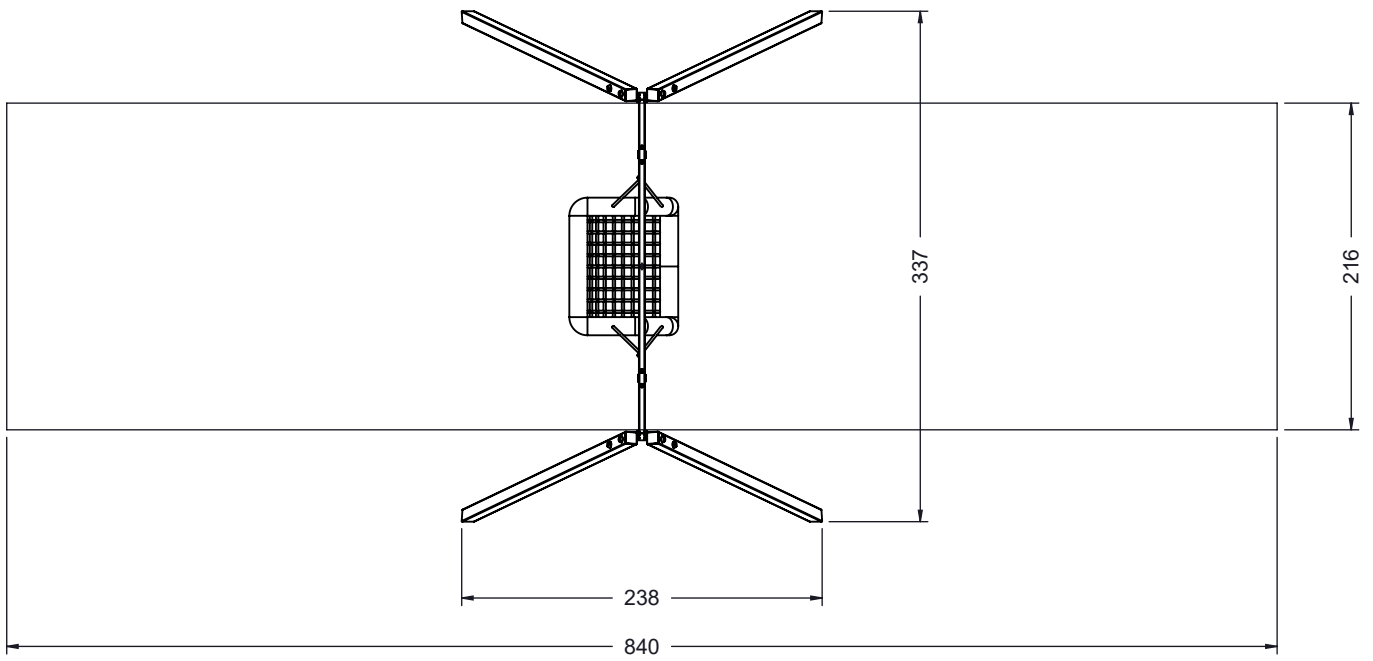
vinci
play



[cm]



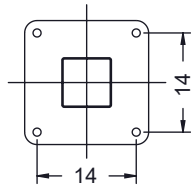
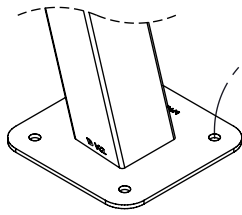
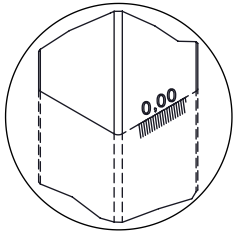
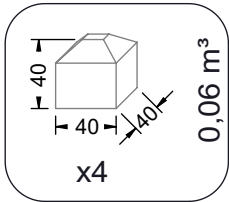
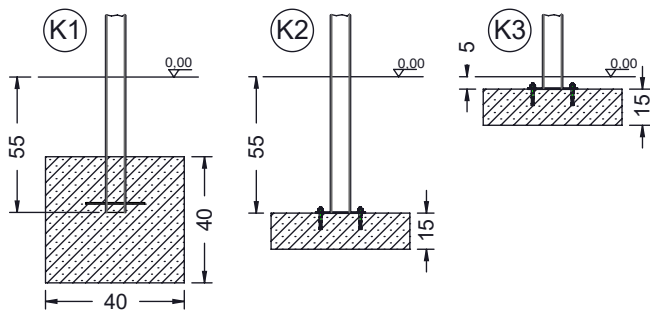
vinci
play



[cm]



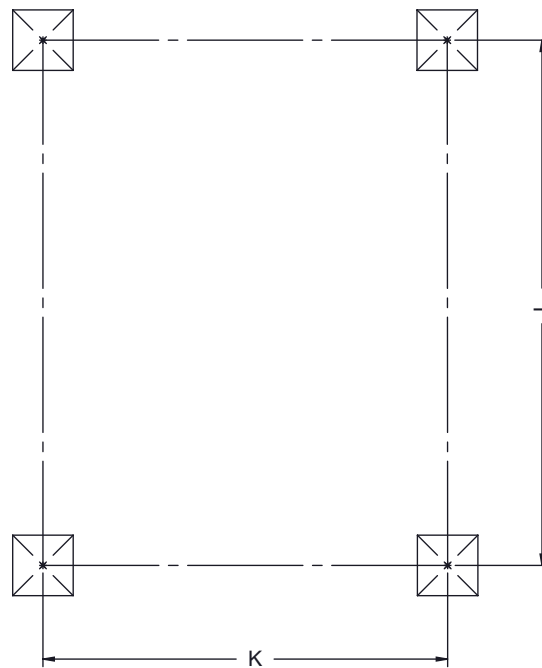
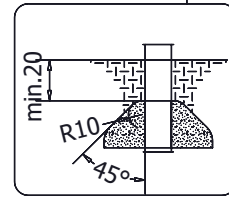
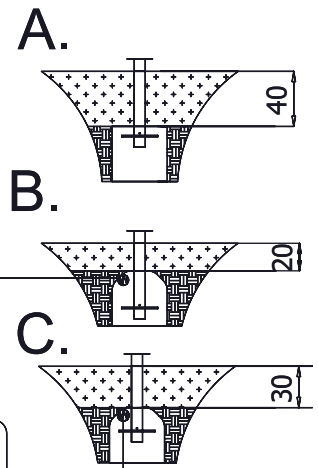
vinci
play



K2, K3

M10x120 x16

NOT INCLUDED

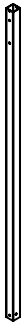


	K,cm	L,cm
K1	268	348
K2	267	347
K3	233	331

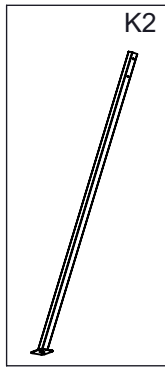
[cm]



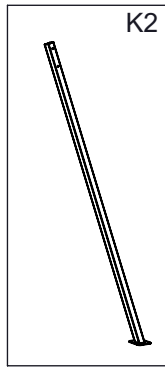
vinci
play



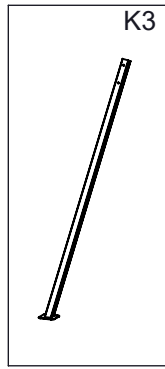
270A
x4



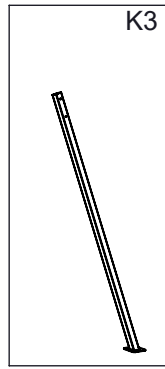
052121
x2



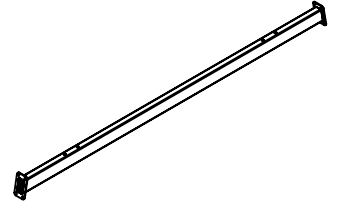
052122
x2



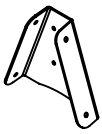
052123
x2



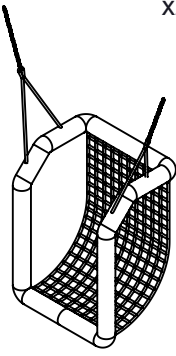
052124
x2



052129
x1

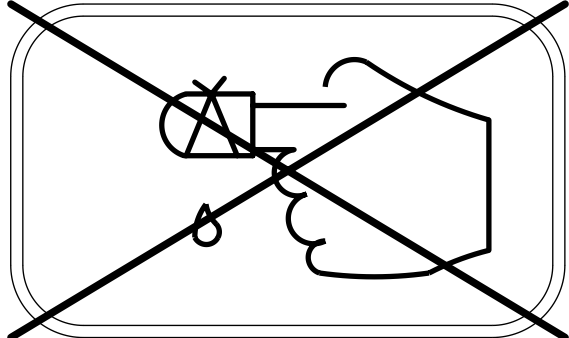
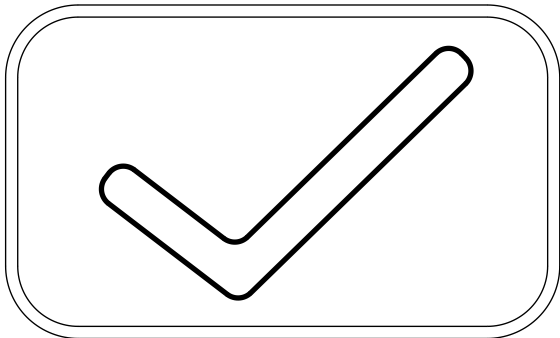
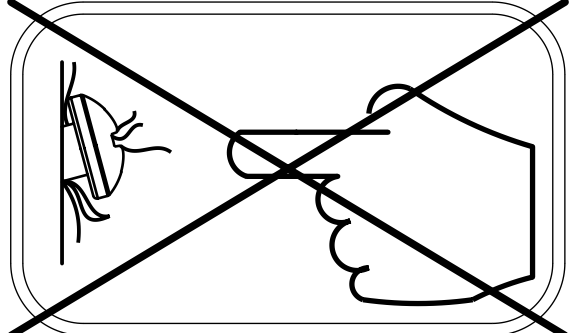
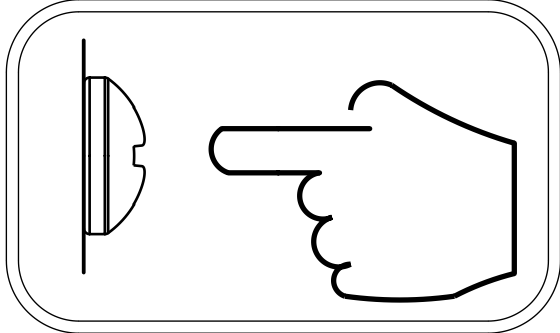
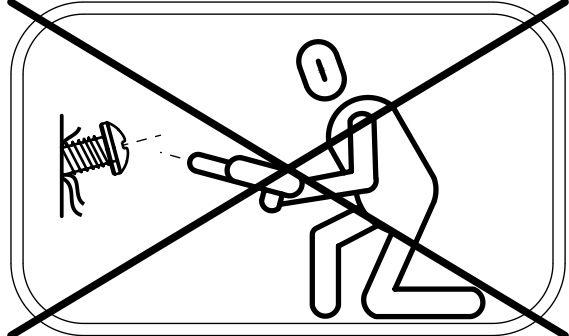
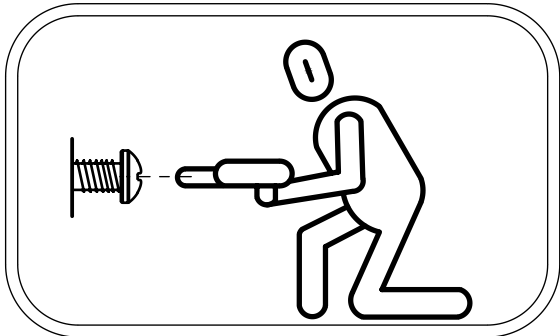


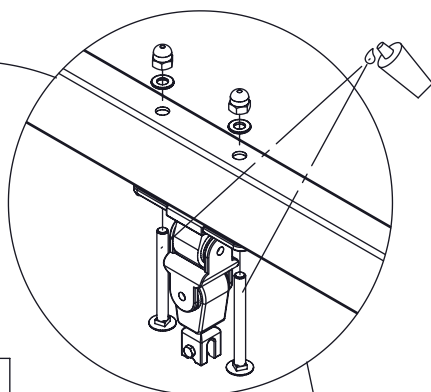
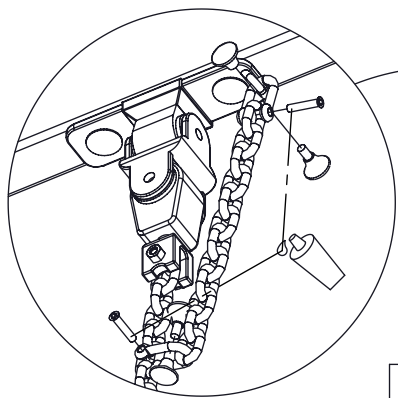
b66-5
x2



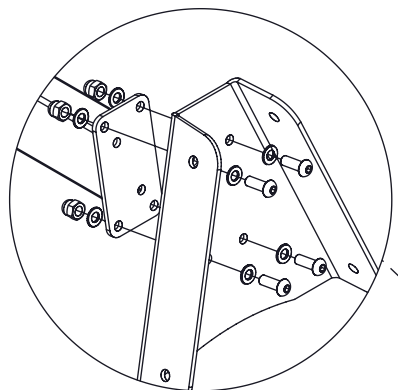
056114
x1

1x	E60
1x	E63
2x	E236 (N1)
2x	E237 (N2)
1x	V002

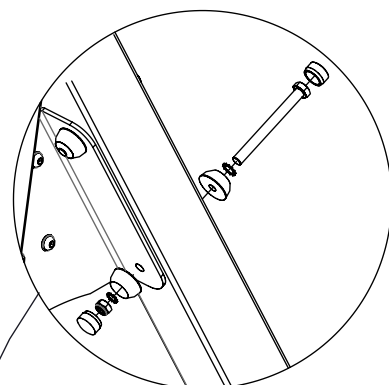




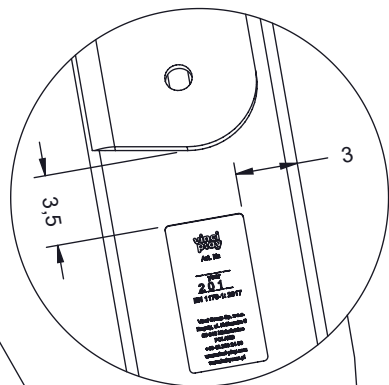
E63



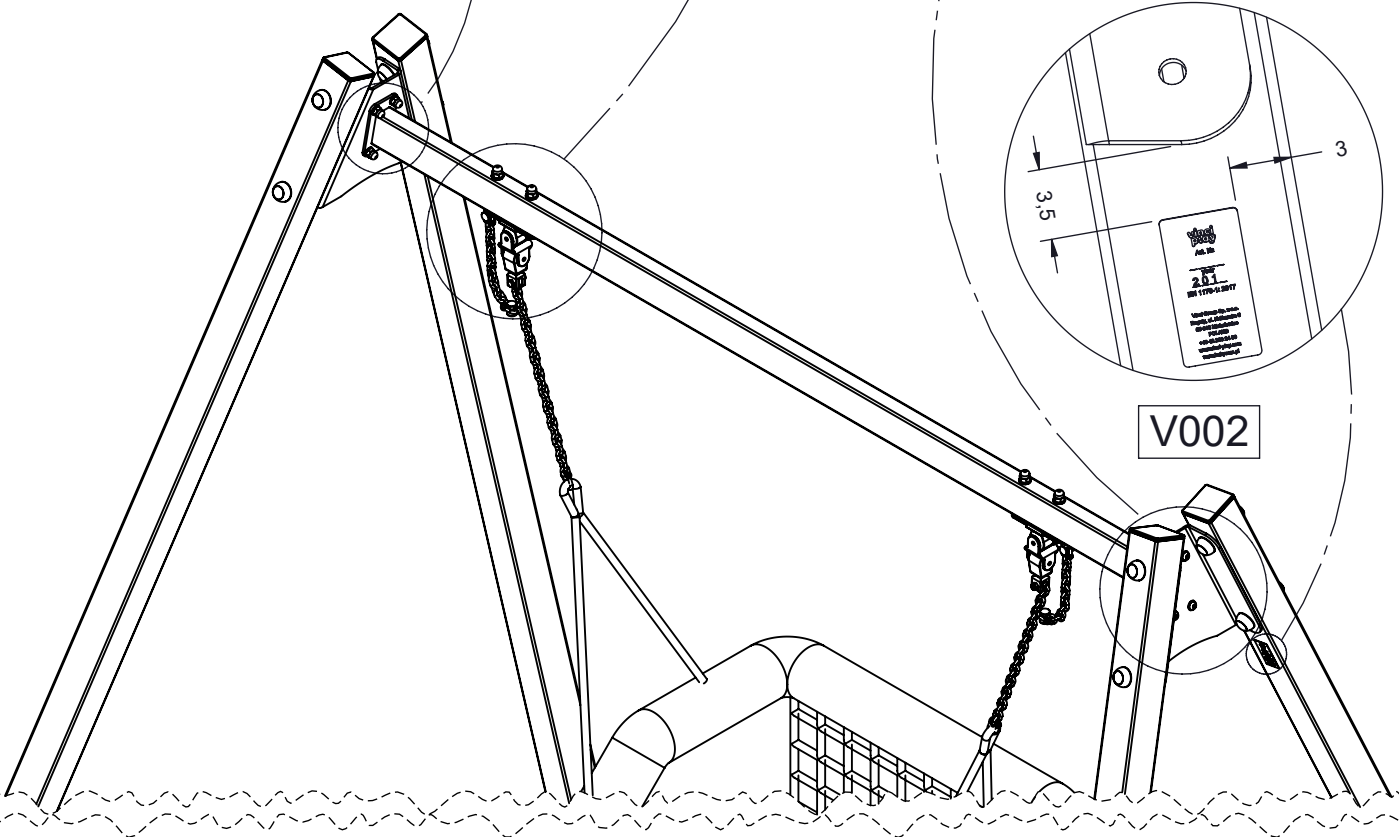
E60



E236^{N1} ○ E237^{N2}



V002



[cm]



vinci
play