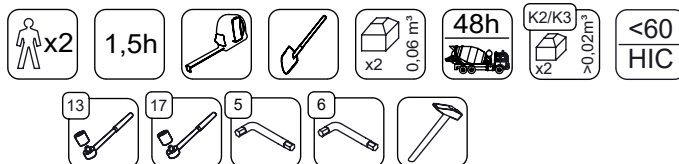
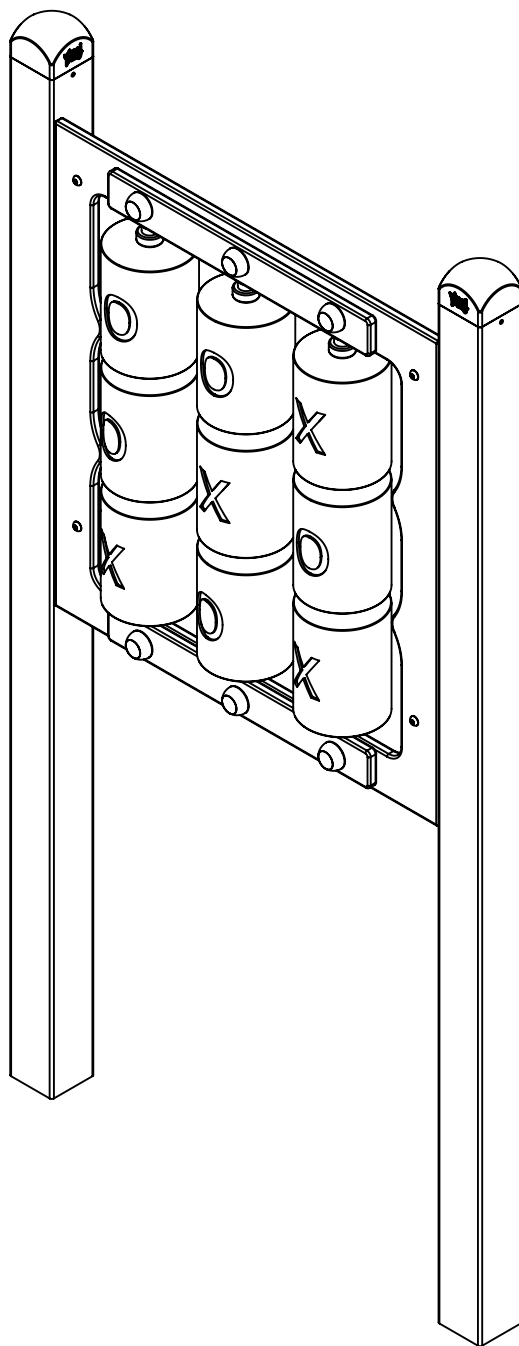
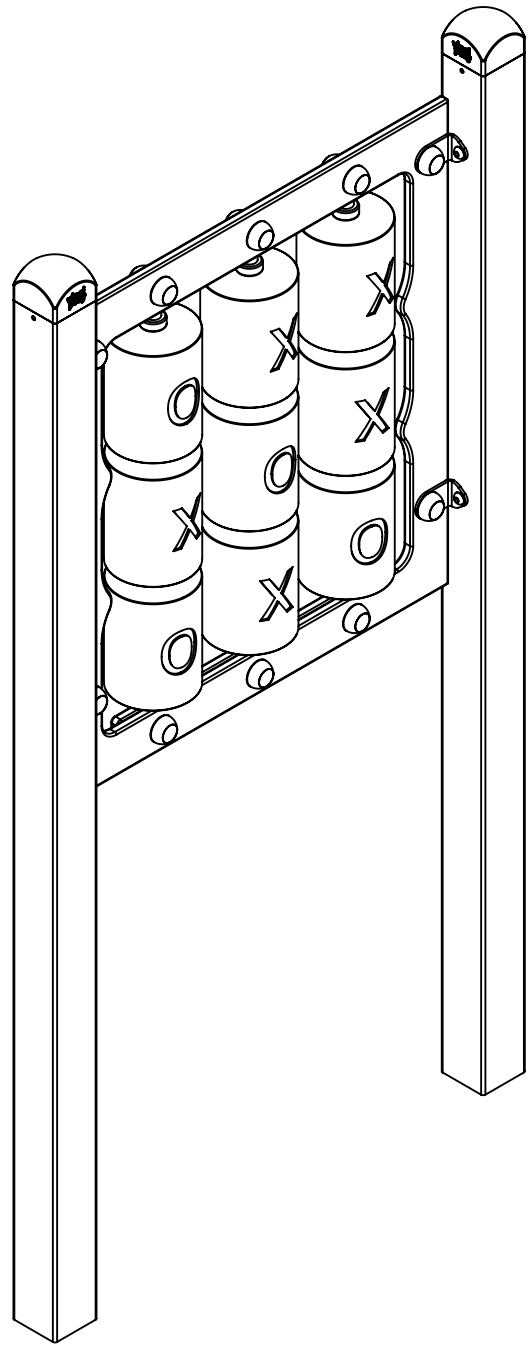
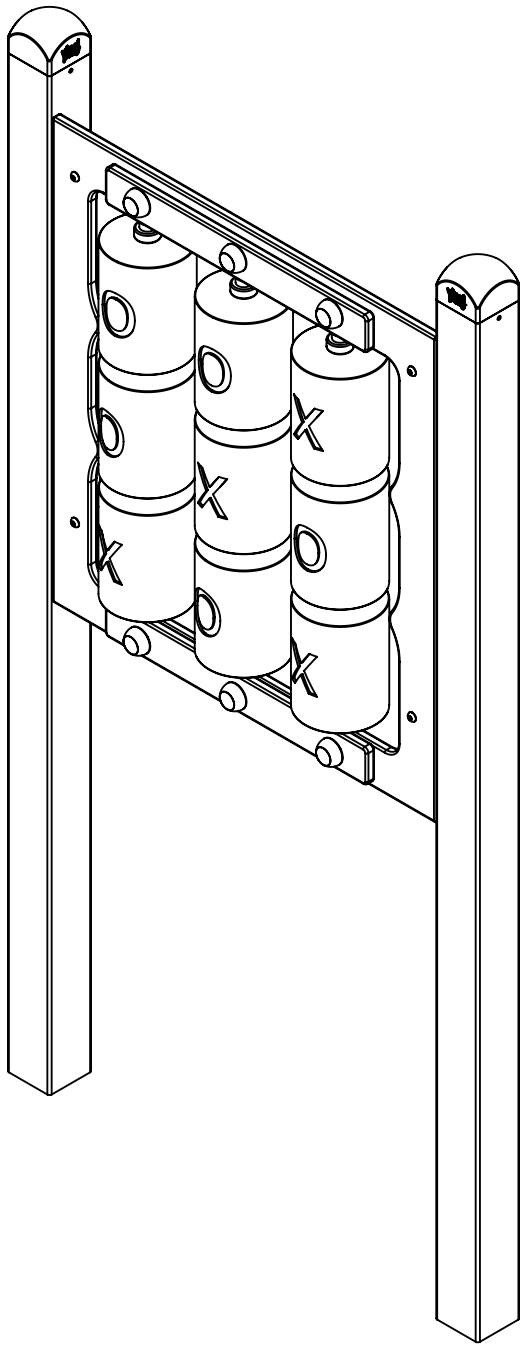


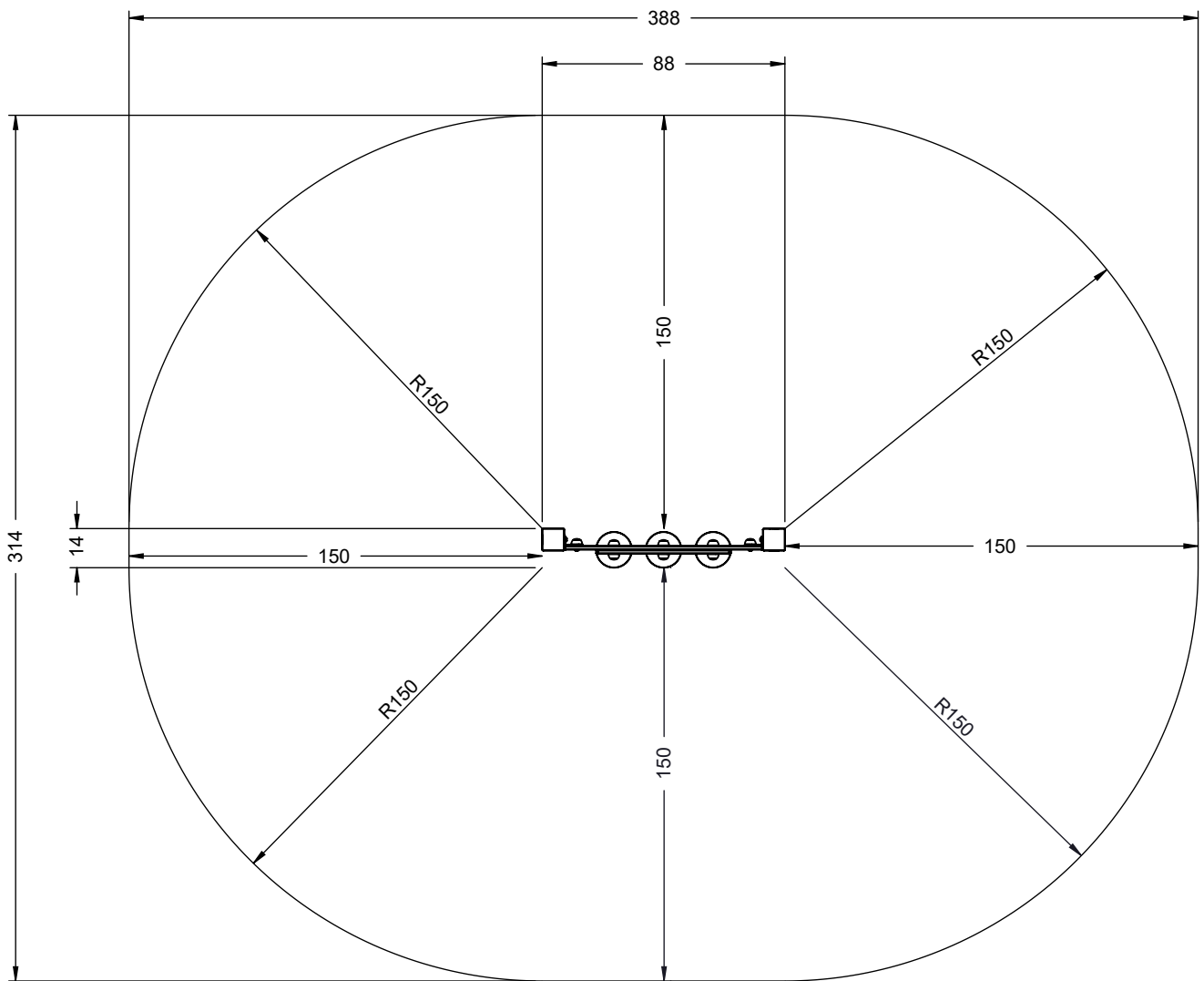
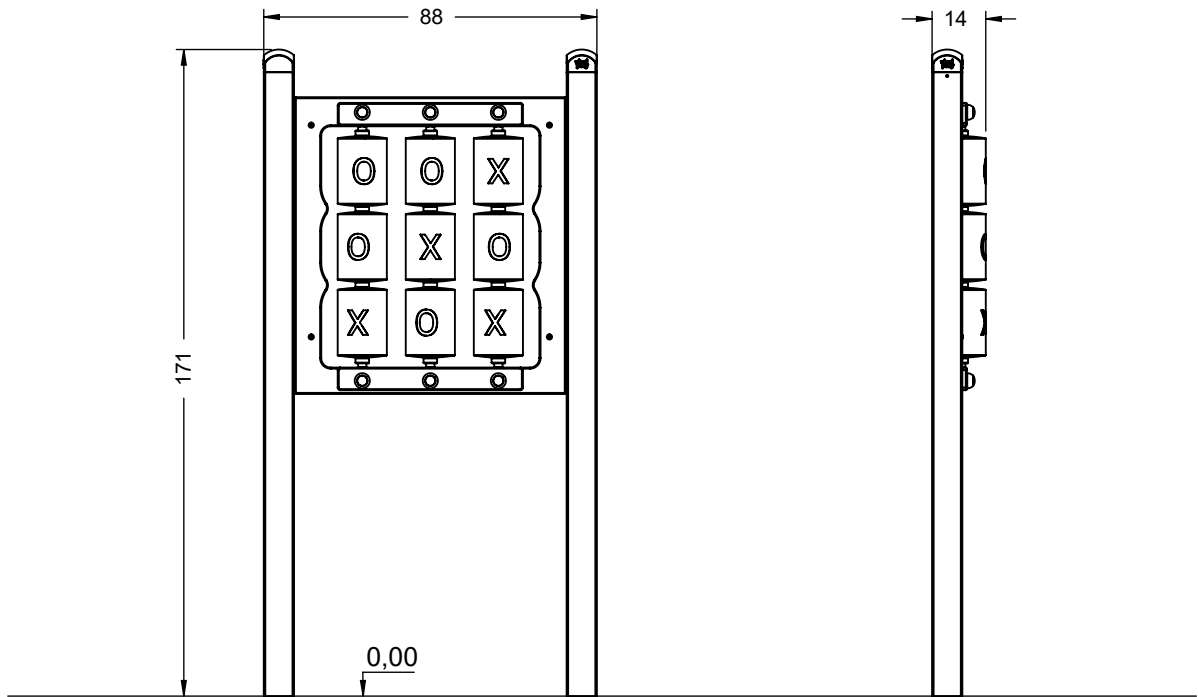
0806-1



v011
14.04.2021
A. H.
[cm]

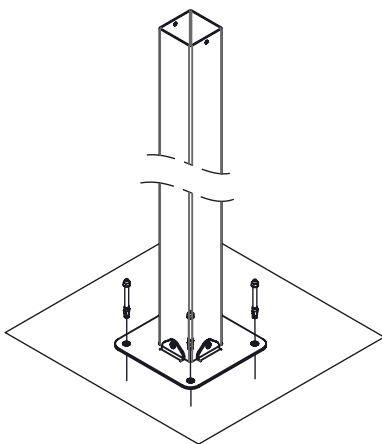
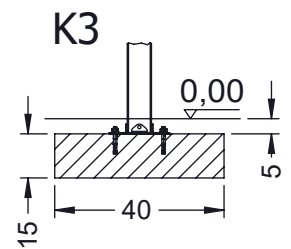
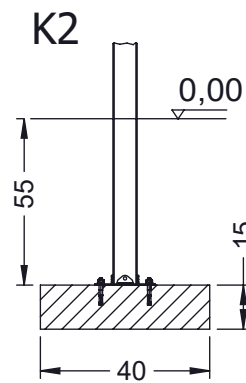
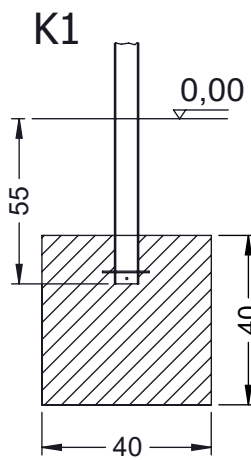
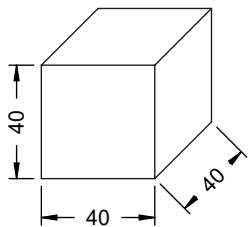
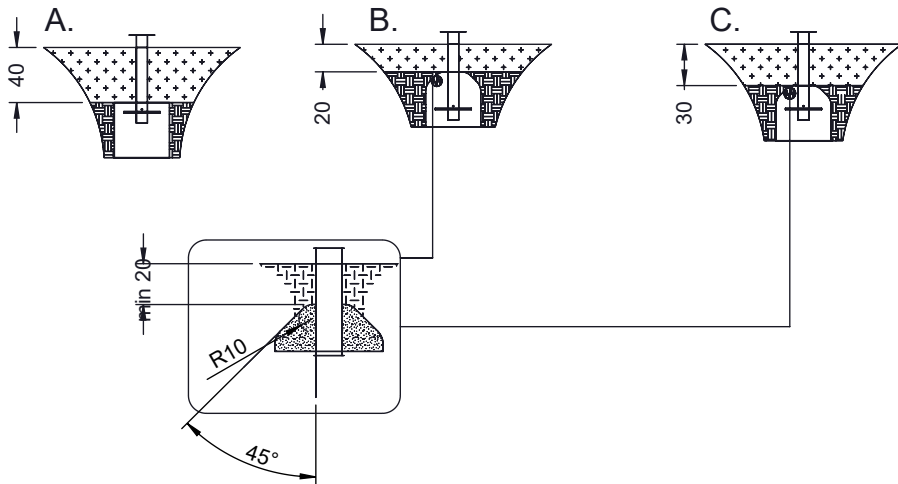
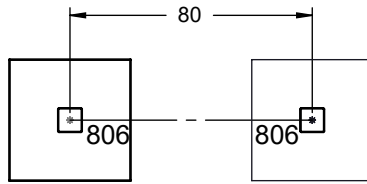
vinci
play


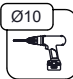



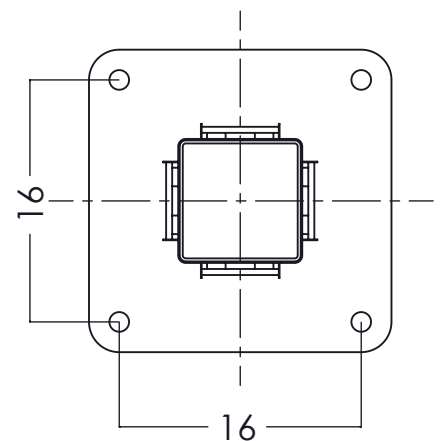


[cm]

vinci
play



	K2, K3
M10x120 x8	
NOT INCLUDED	



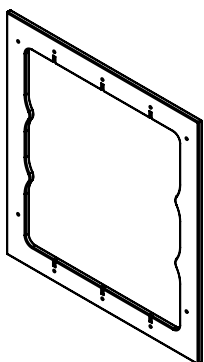
[cm]

 x2	1,5h			 x2	0,06 m ³	48h		K2/K3	 x2	>0,02m ³
--	------	---	---	--	---------------------	-----	---	-------	---	---------------------

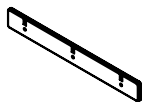
vinci
play



806
x2



991161
x1



991162
x2



996108
x9



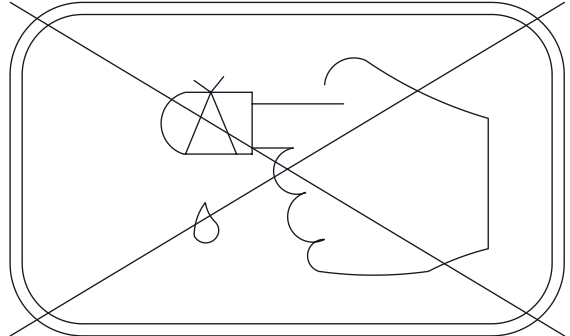
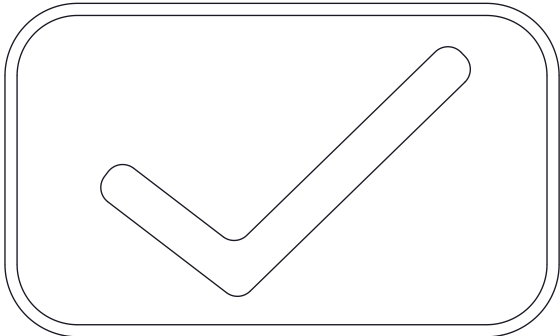
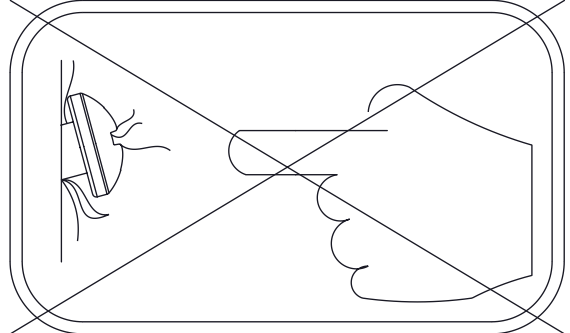
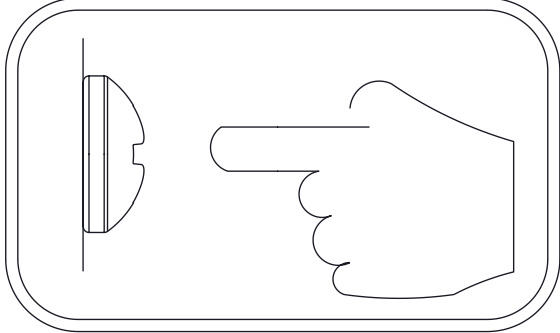
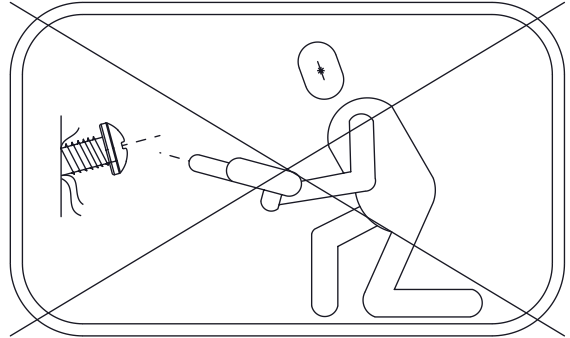
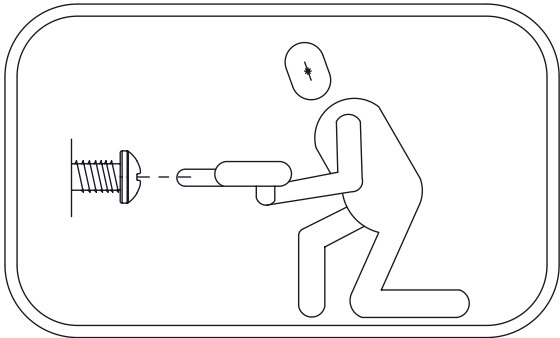
996109
x12

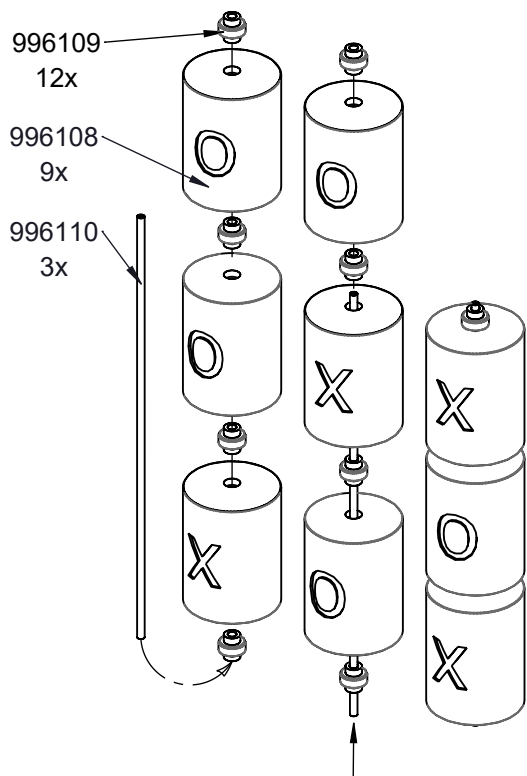
K2, K3



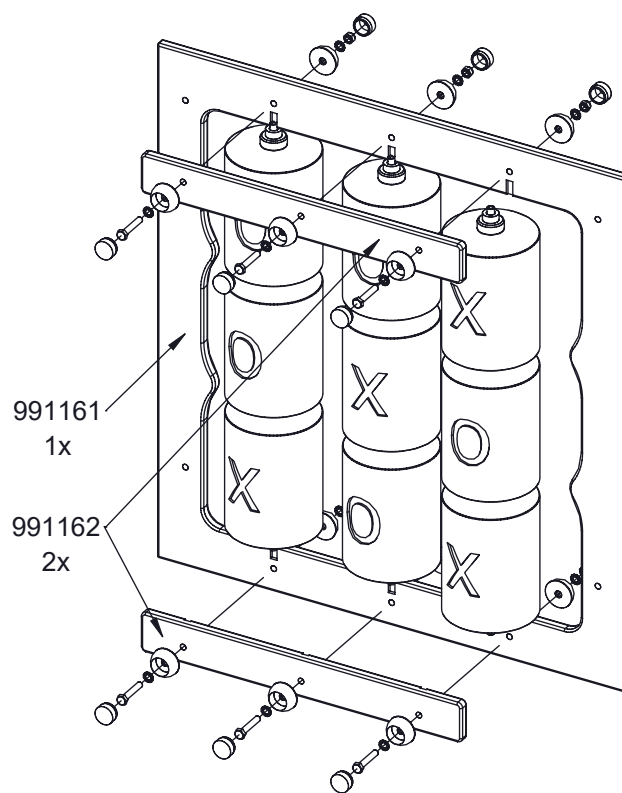
b231
x2

ST/INOX		HDPE		HPL	
2x	E37 _(K2,K3)	1x	CE4	1x	CL4
1x	V001	1x	CE19	1x	CL19





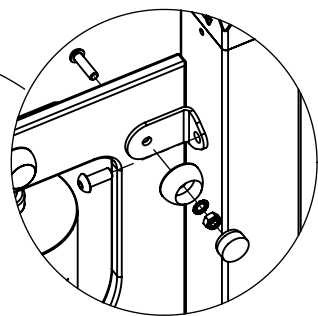
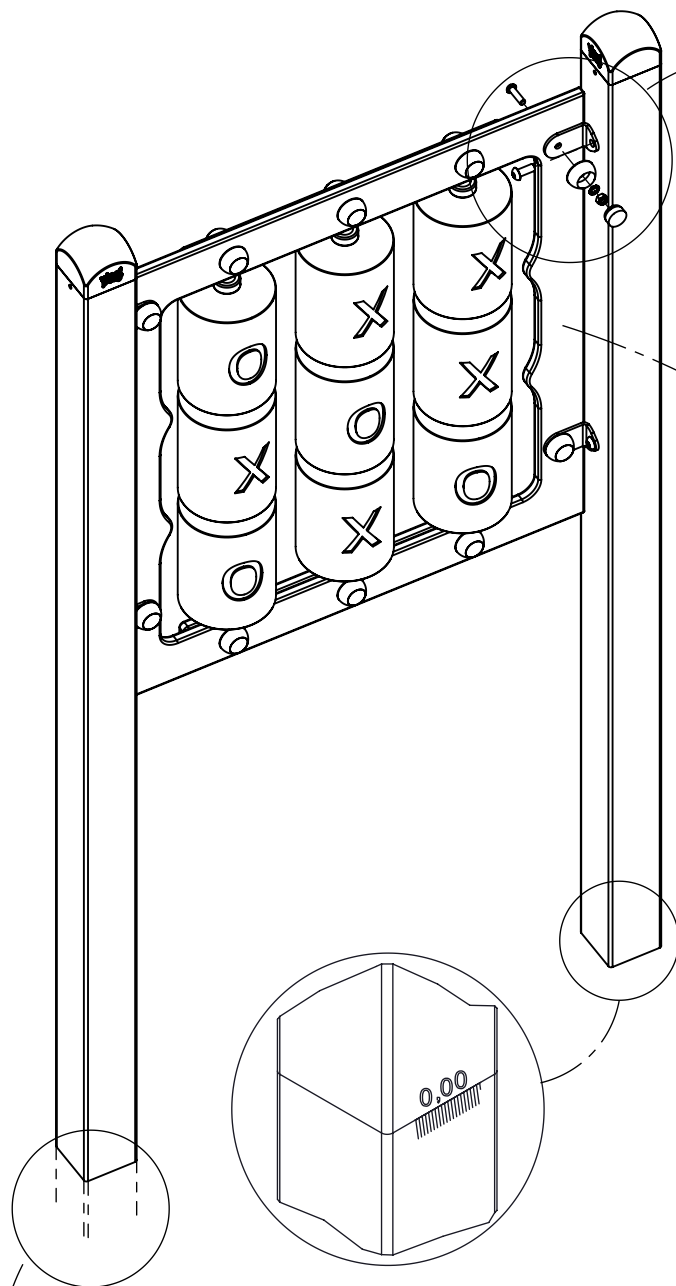
1x CE19 ^{HDPE}
 1x CL19 ^{HPL}



[cm]



vinci
play



- 1x CE4 HDPE
- 1x CL4 HPL

**vinci
play**

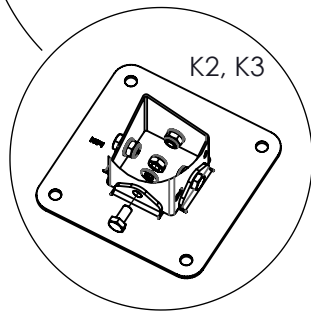
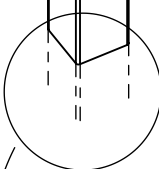
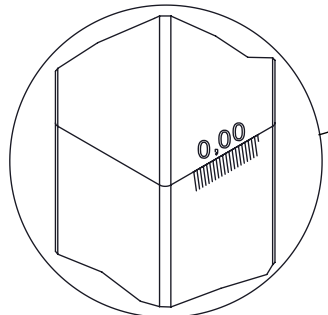
Art. №

year
201

EN 1176-1: 2017

Vinci Group Sp. z o.o.
Reguły, ul. Królowicka 5
05-816 Michałowice
POLAND
+48 42 203 24 99
www.vinci-play.com
www.babycam.pl

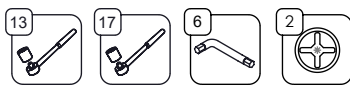
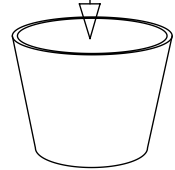
V001



2x E37

Part No:
**000000-
00000**

000000-00000



[cm]

vinci
play