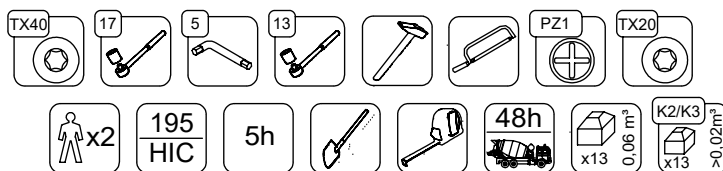
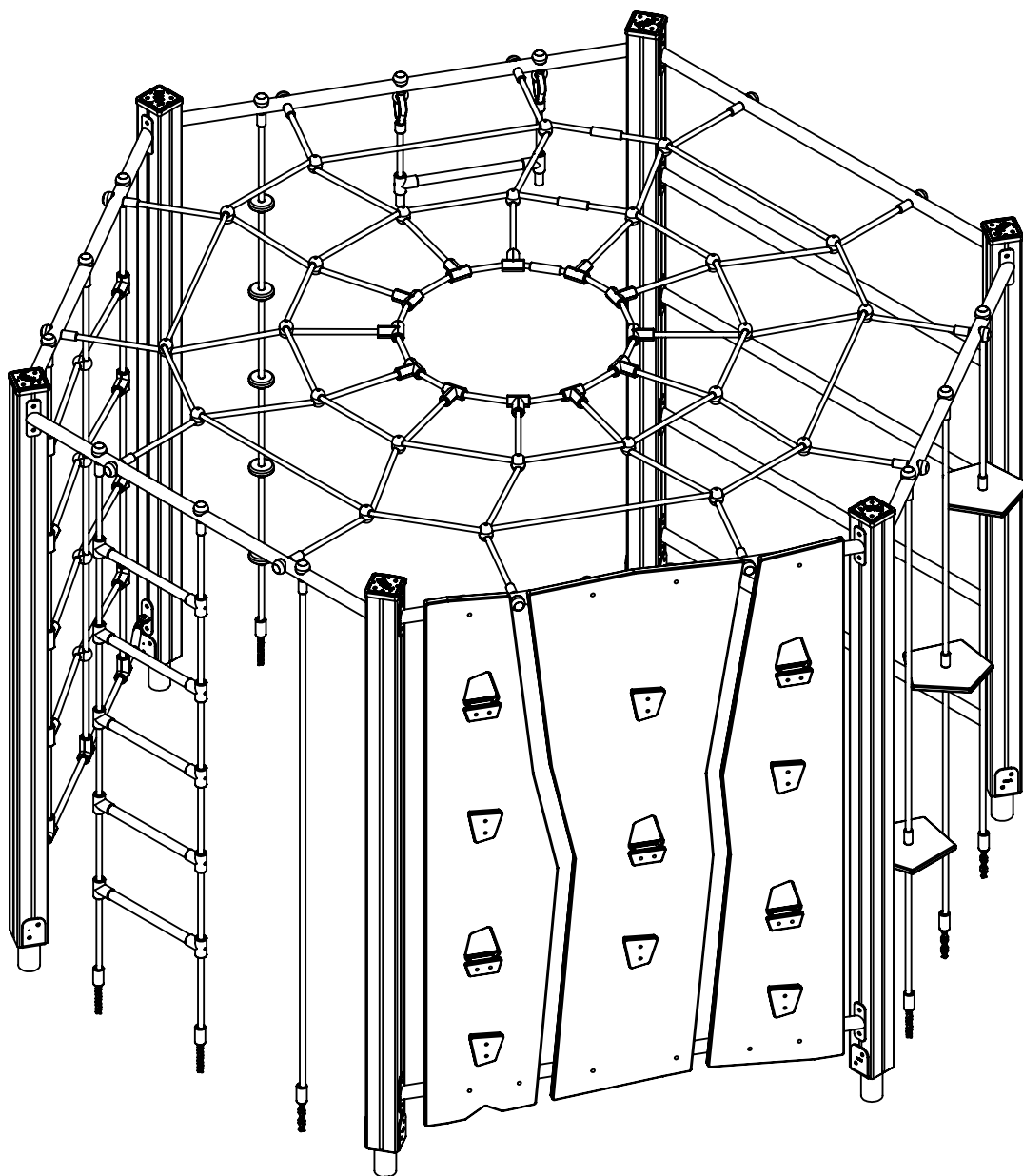
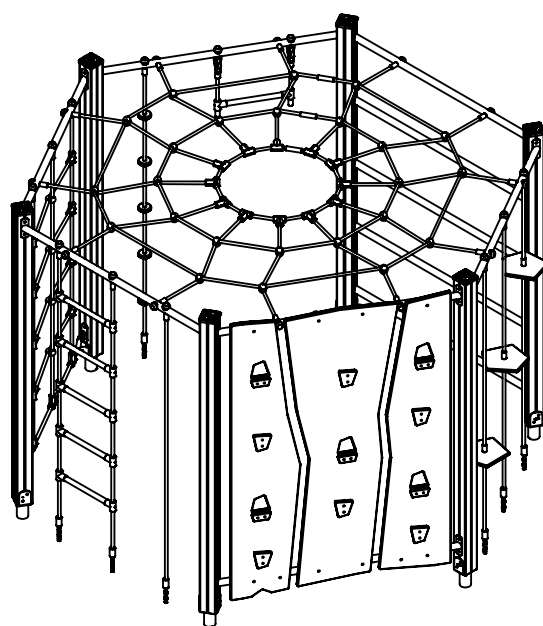
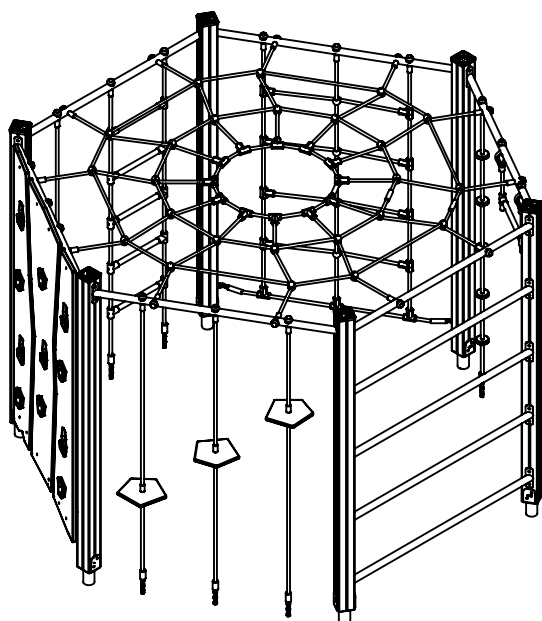
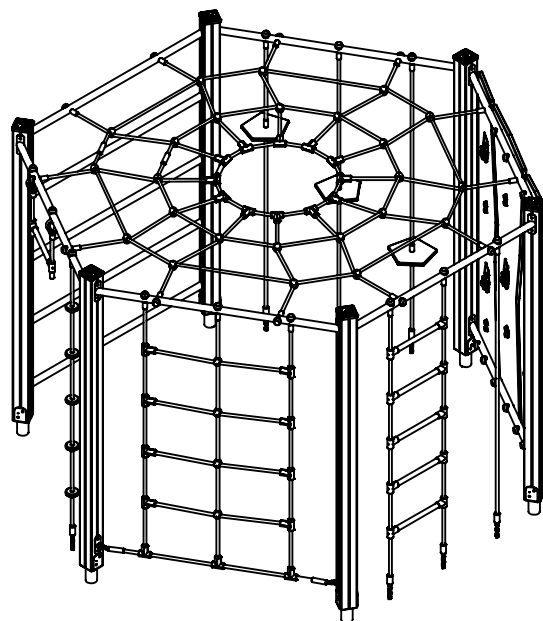
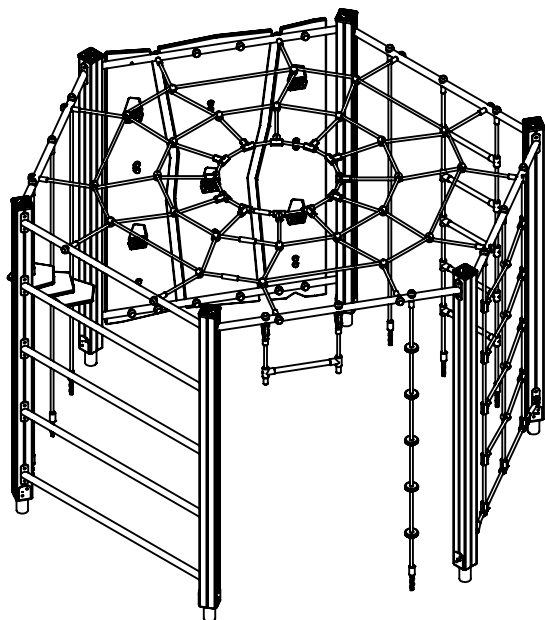


WD1420



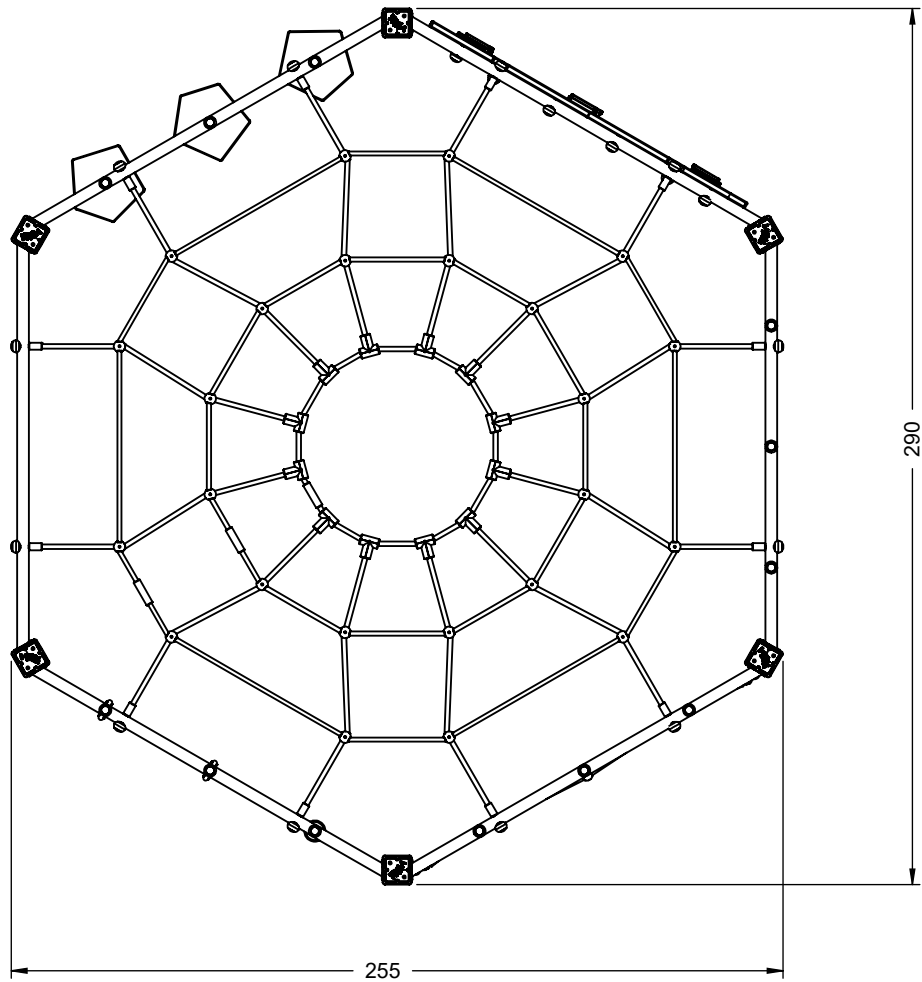
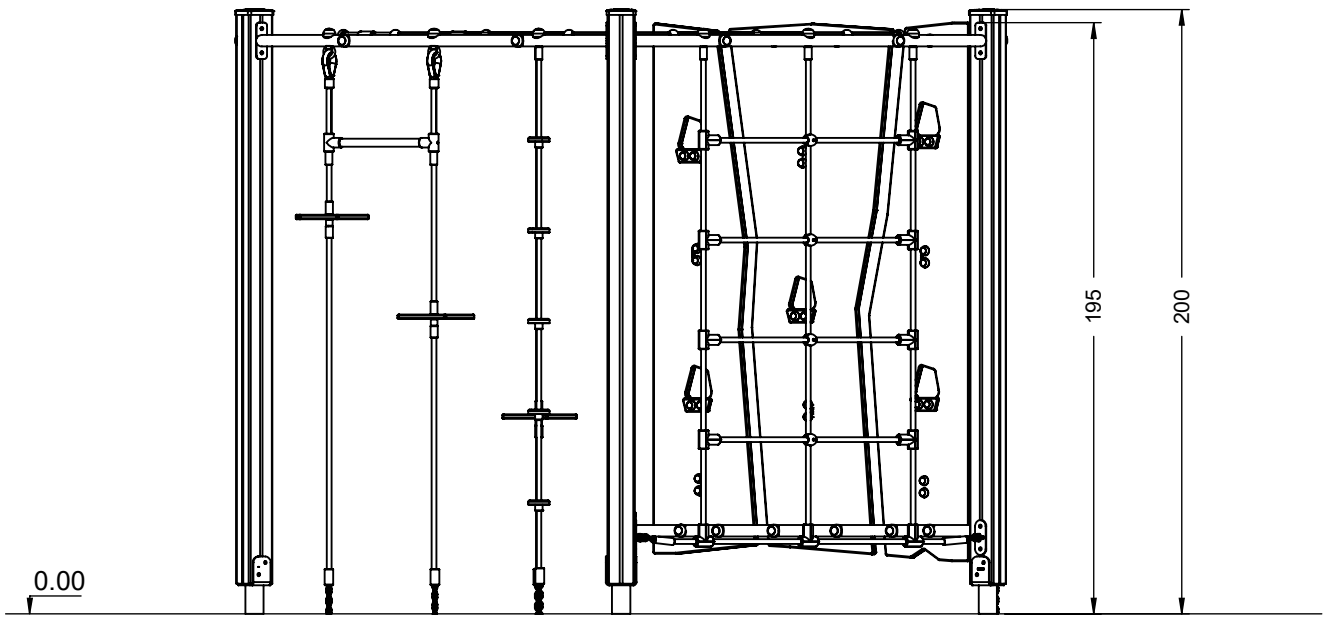
v012
21.01.2021
D. P.
[cm]

vinci
play



[cm]

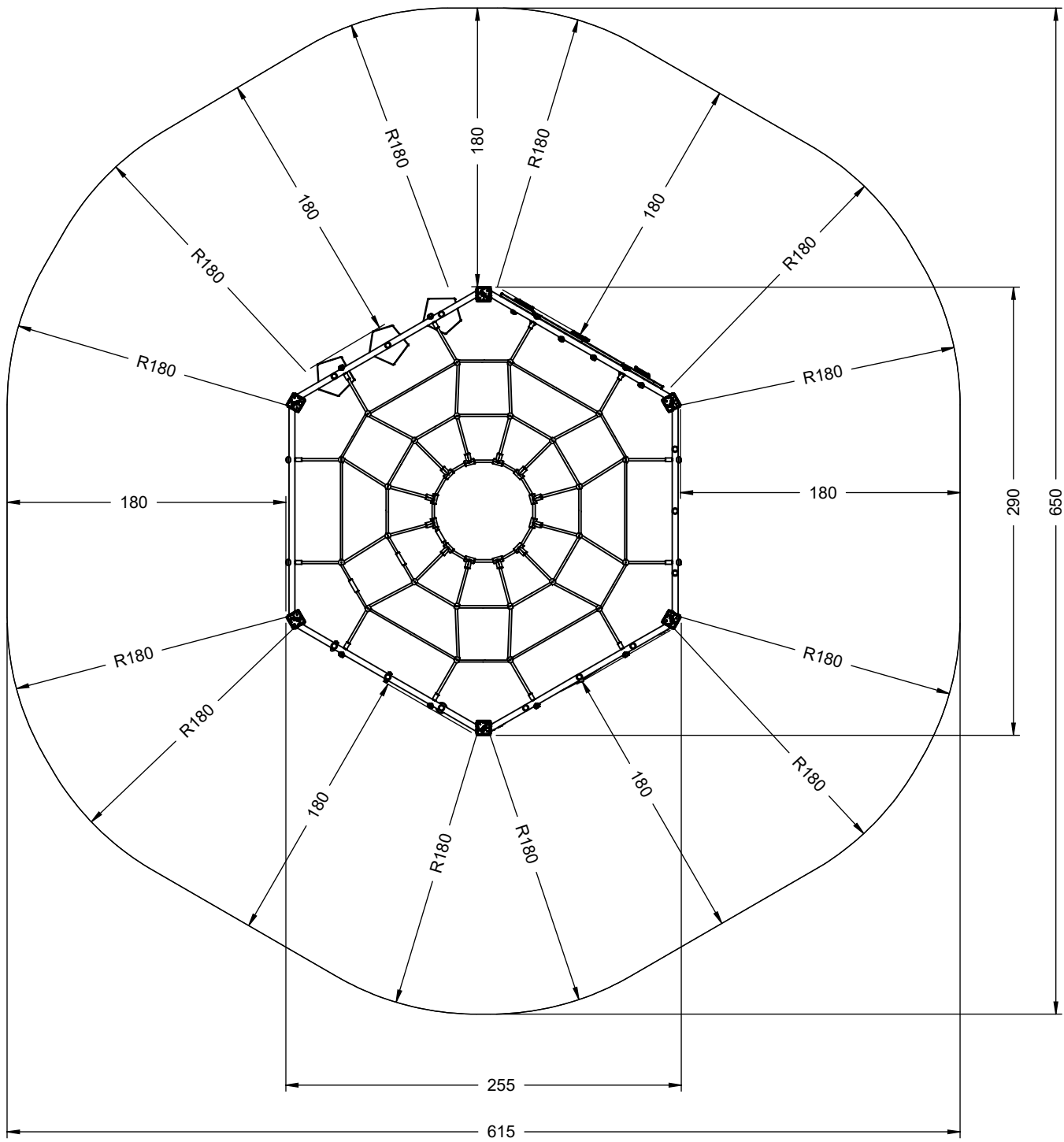
vinci
play



[cm]



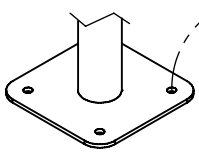
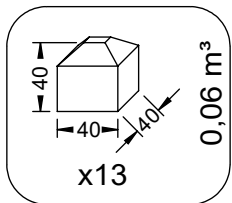
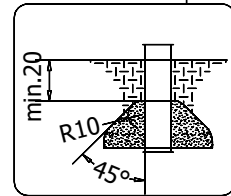
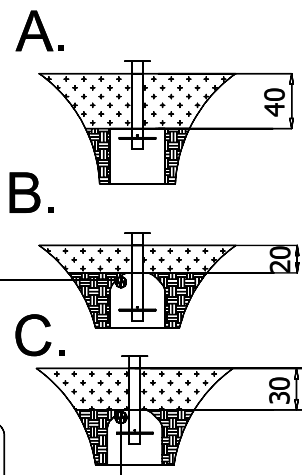
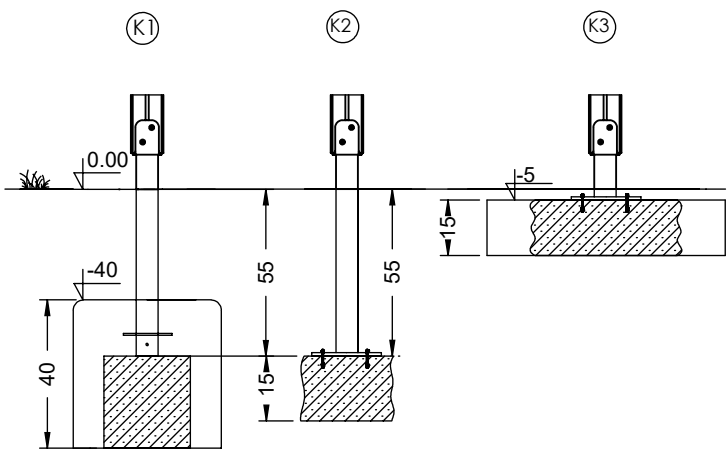
vinci
play



[cm]

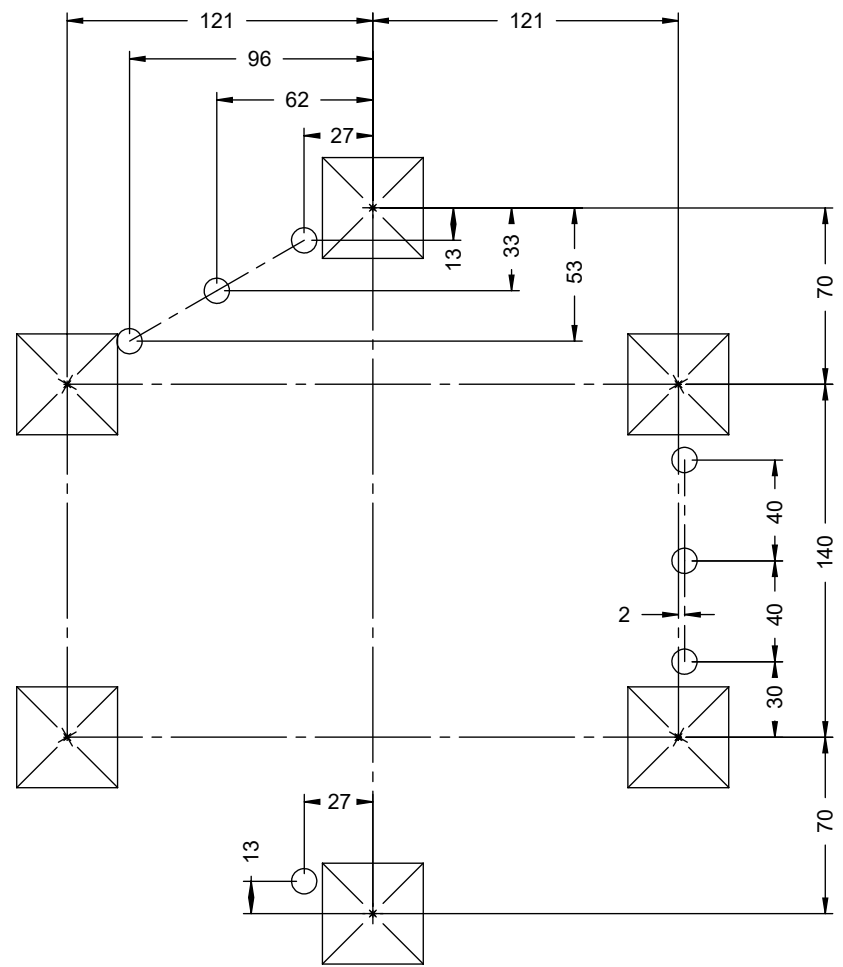


vinci
play



38x M10x120 (K2)
38x M10x120 (K3)

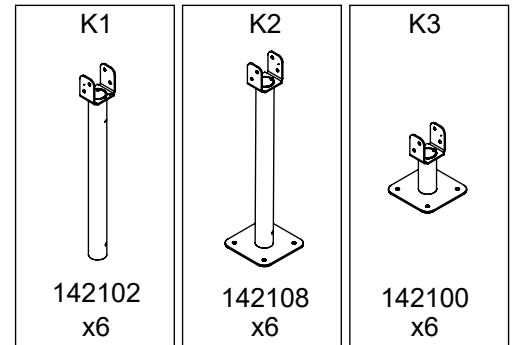
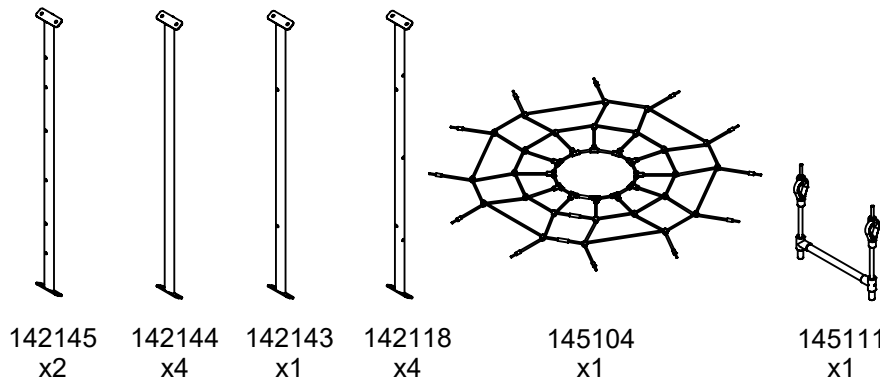
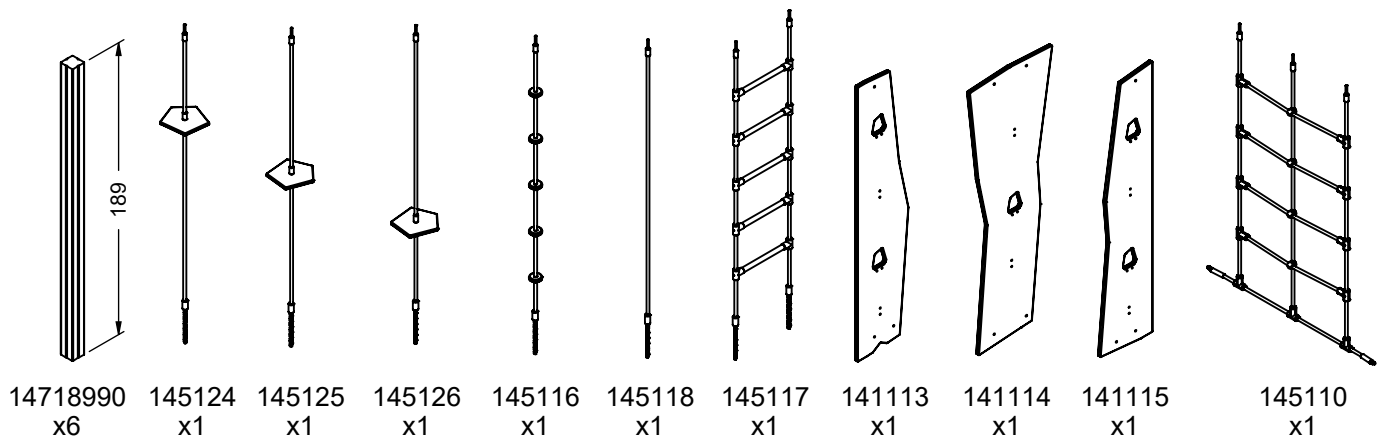
NOT INCLUDED



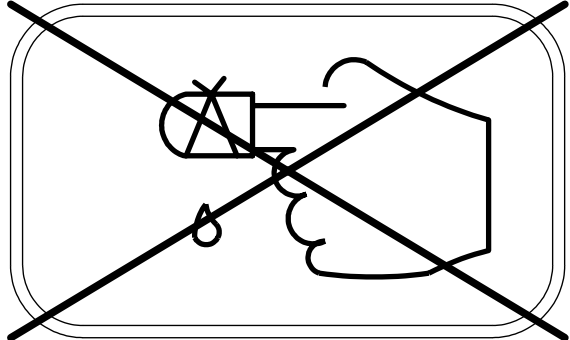
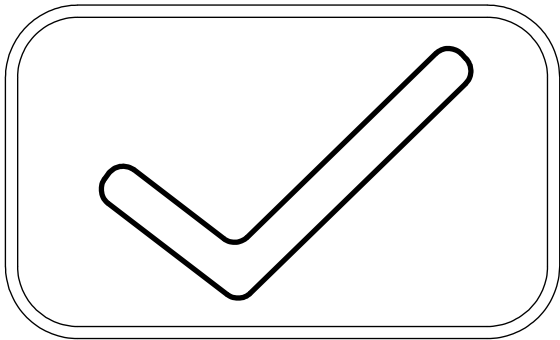
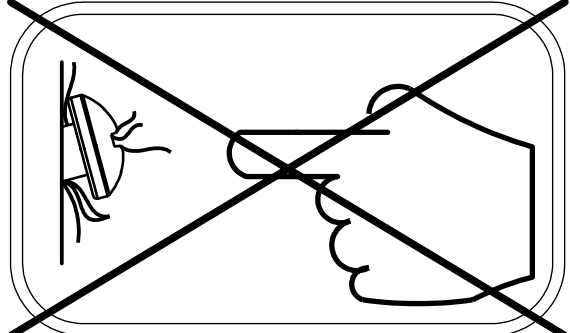
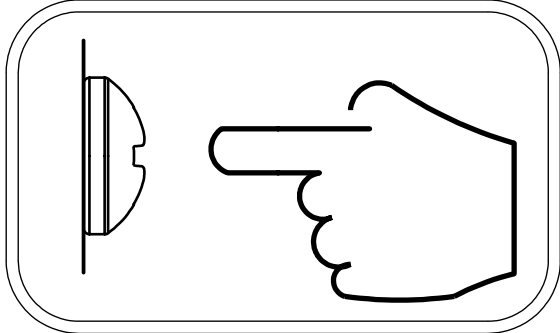
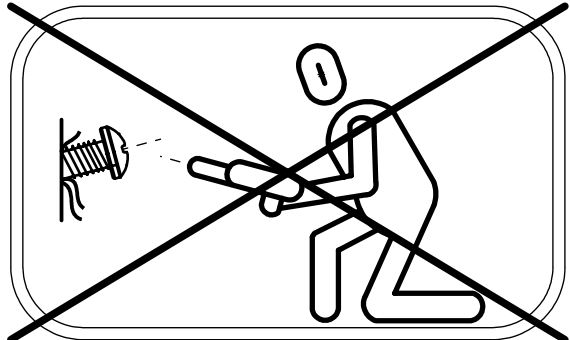
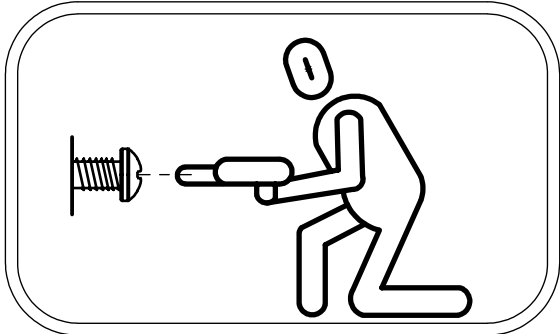
[cm]

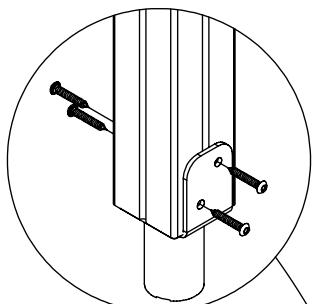
x2
 5h
 195 HIC
 x13
 0.06 m³
 Ø10
 48h
 K2/K3 x13 > 0.02 m³

vinci play

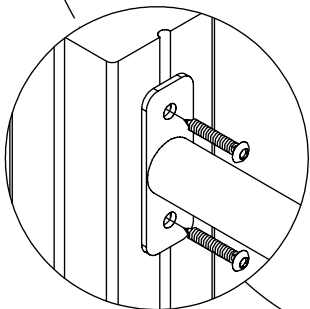
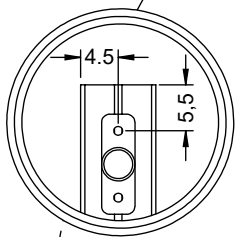
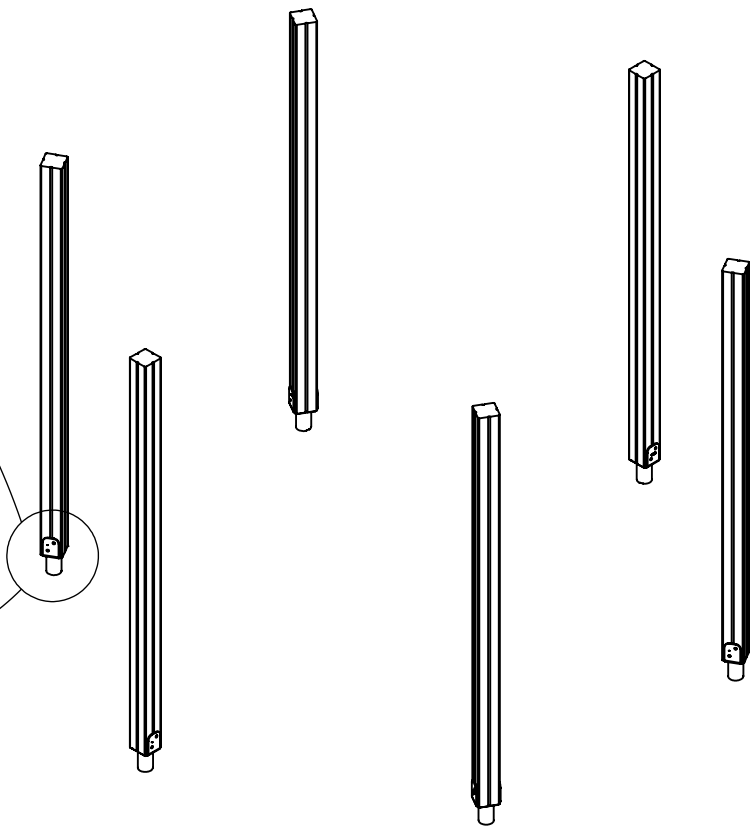
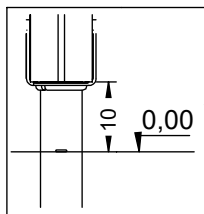


		<i>Plywood/ HDPE</i>		<i>HPL</i>	
72x	8x50 sxi	5x	WD35	5x	WD36
1x	WD39	6x	WD15	6x	WD44
5x	WD14-1	1x	WD118	1x	WD119
2x	WD14-2				
1x	WD14-3				
3x	WD14-4				
1x	V001				
6x	WD1				
1x	SGL				
1x	GL (K2, K3)				
7x	WD52				

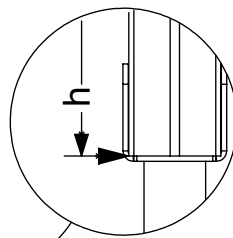
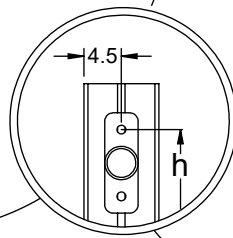
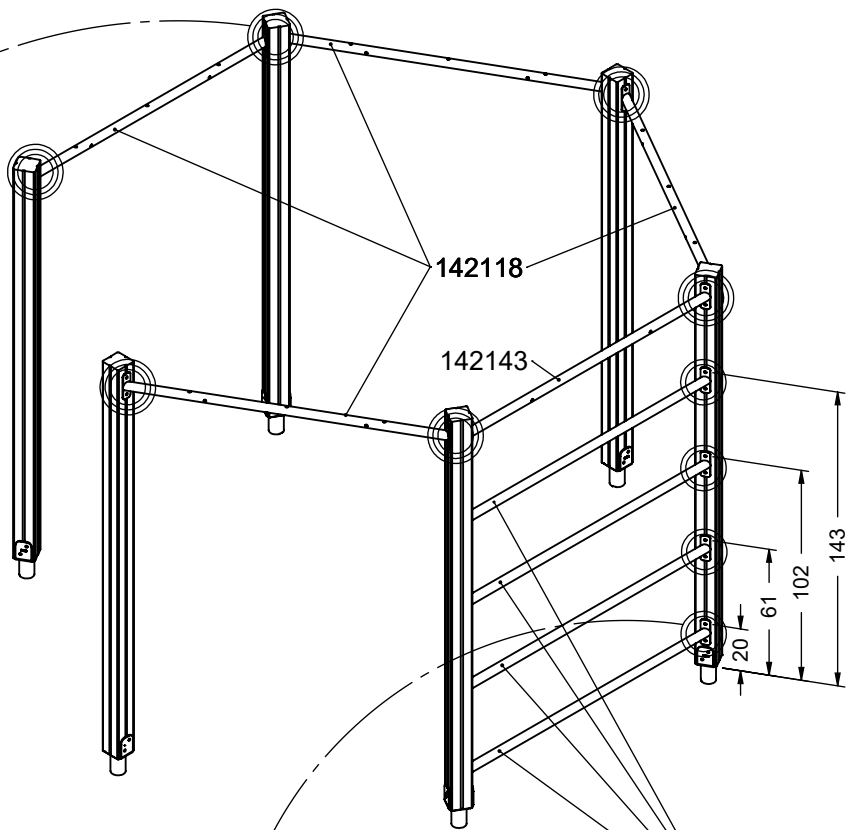




8x50 sxi

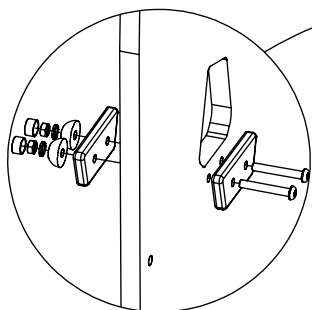


8x50 sxi

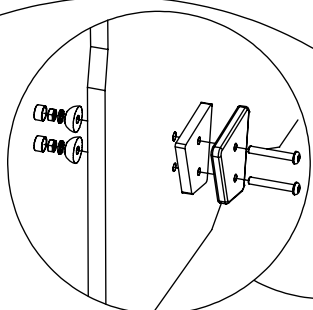


[cm]

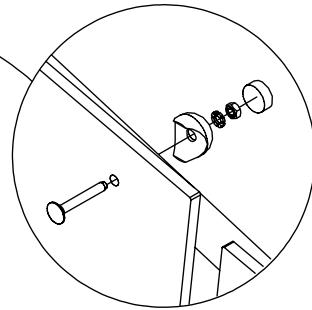
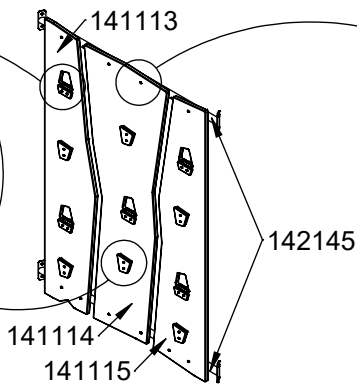
vinci
play



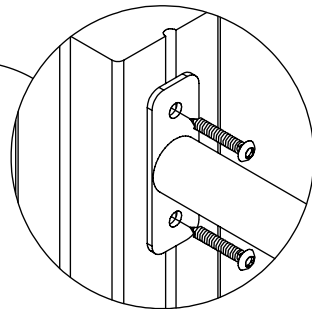
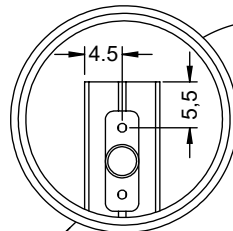
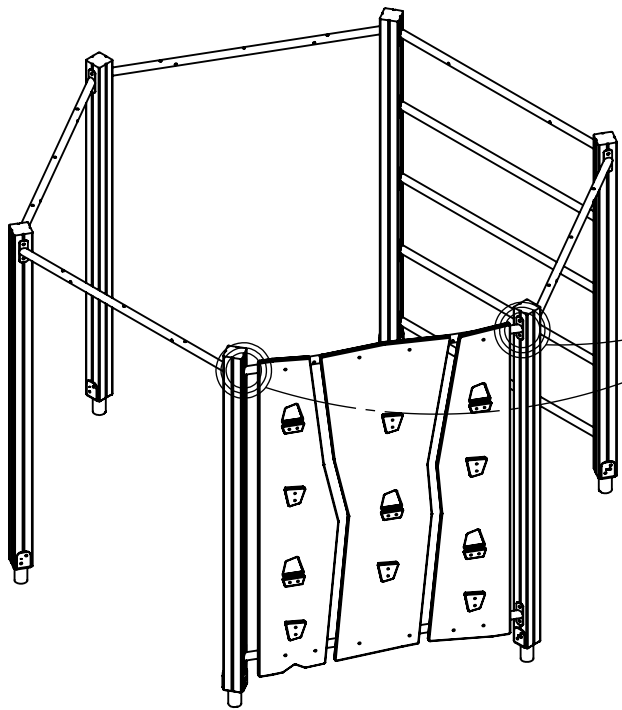
PLYWOOD HPL
WD35 ○ WD36



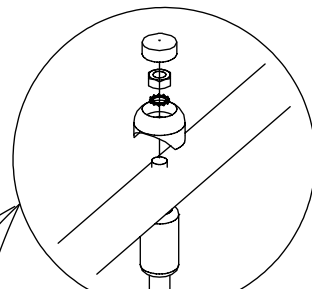
PLYWOOD HPL
WD15 ○ WD44



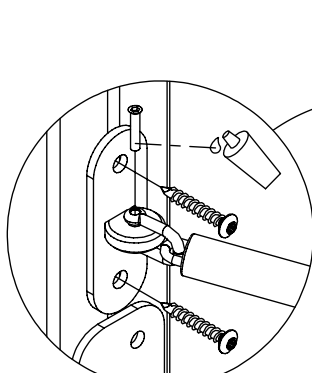
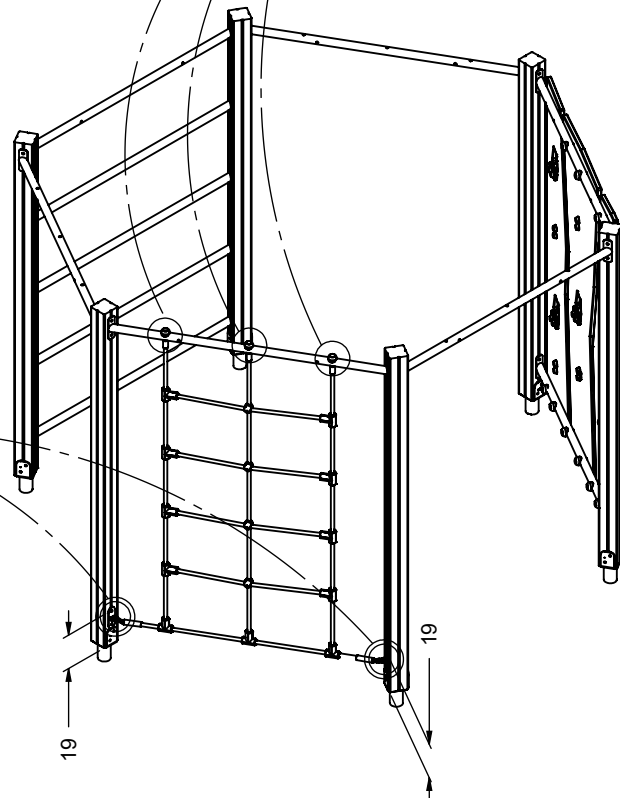
PLYWOOD HPL
WD118 ○ WD119



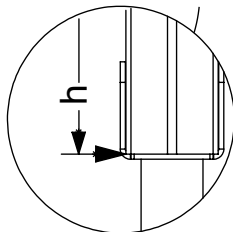
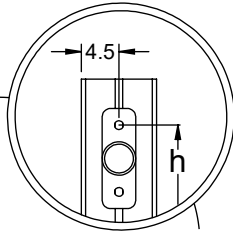
8x50 sxi



WD14-3



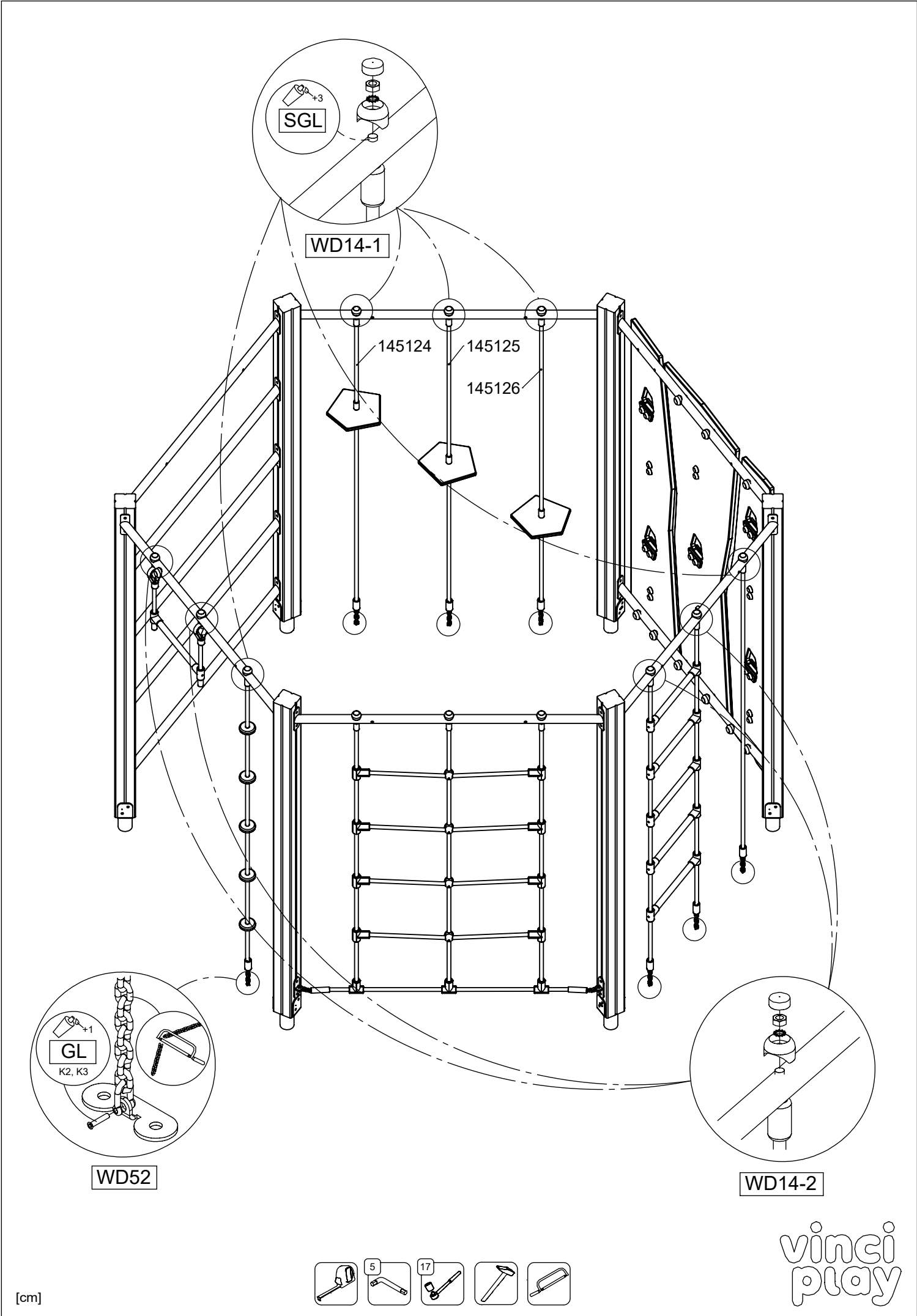
WD39
8x50 sxi



[cm]



vinci
play



SGL

WD14-1

145124

145125

145126

GL

K2, K3

WD52

SGL

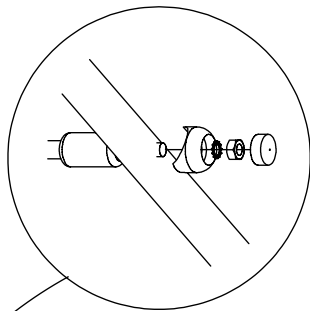
WD14-2

5

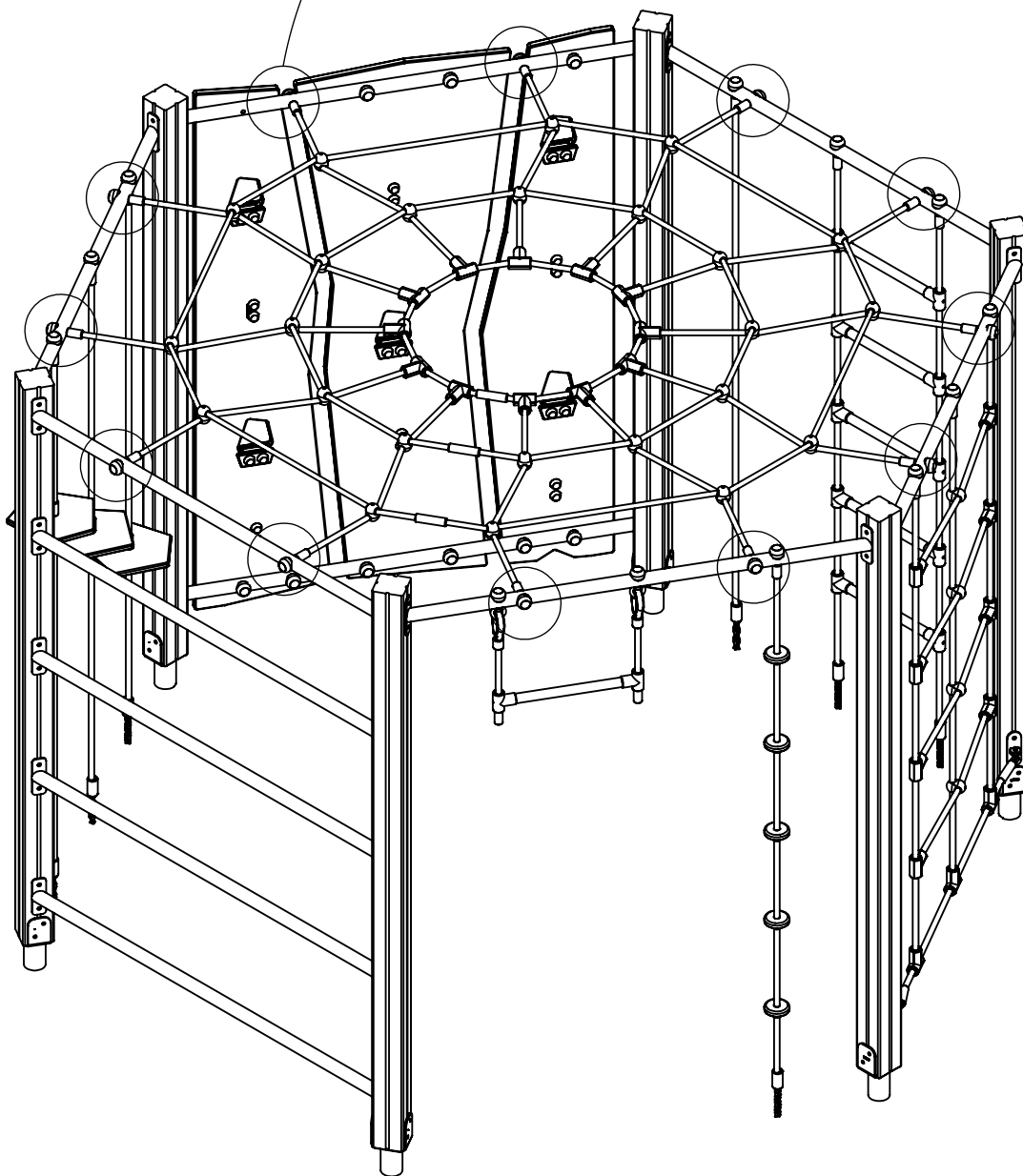
17

[cm]

vinci
play



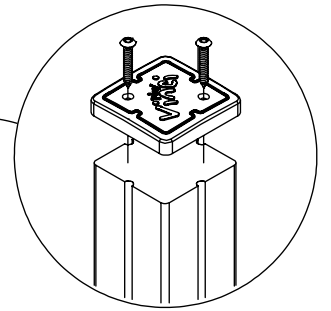
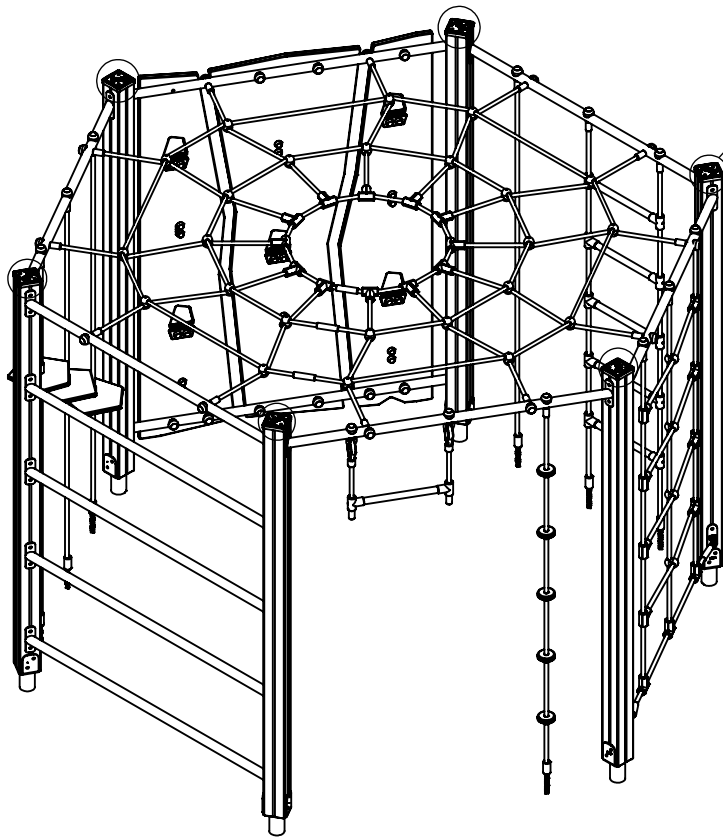
WD14-4



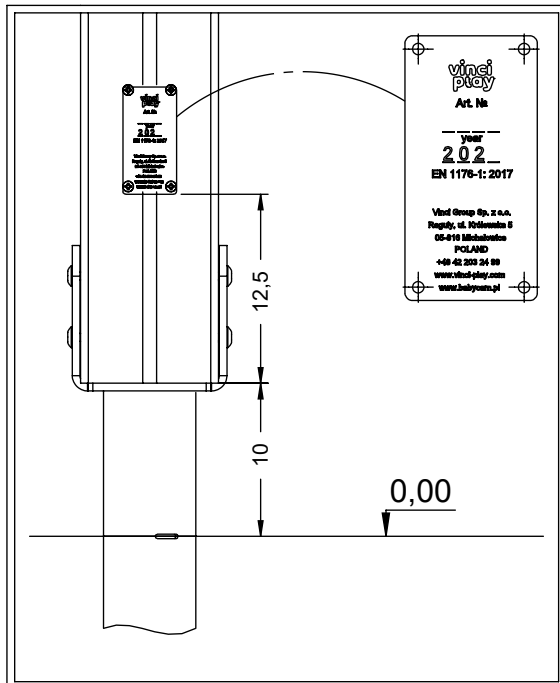
[cm]



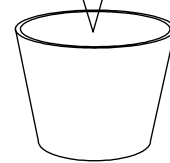
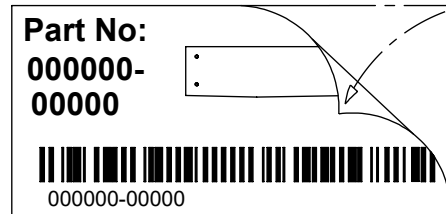
vinci
play



WD1



V001



[cm]



vinci play