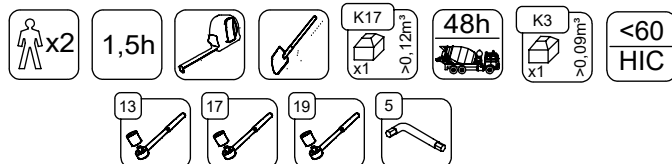
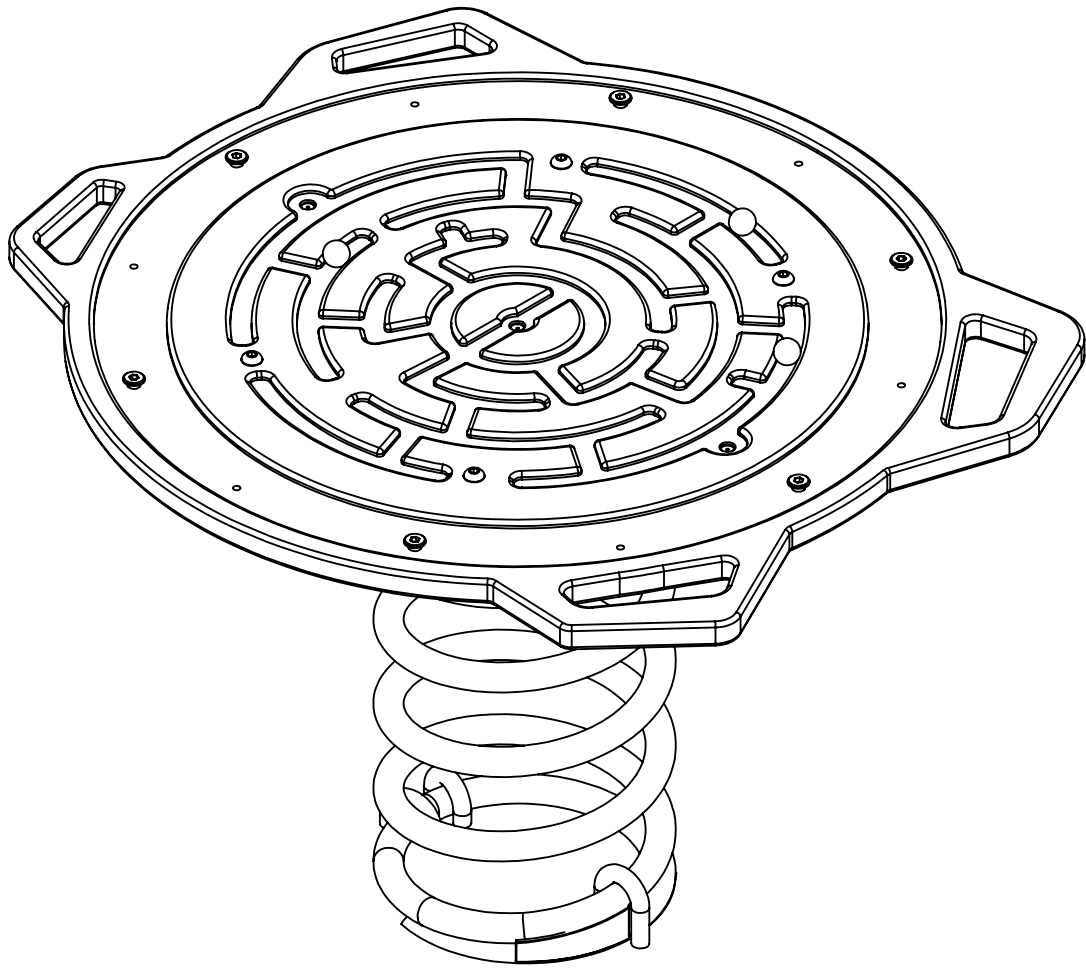
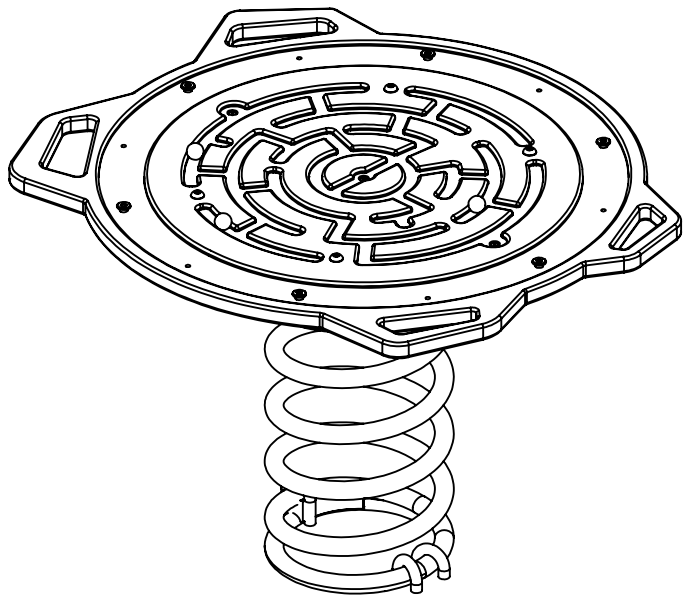
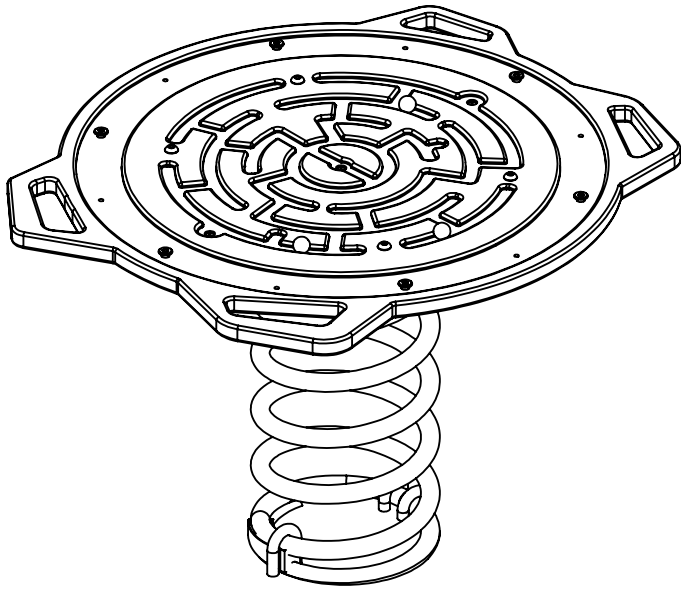


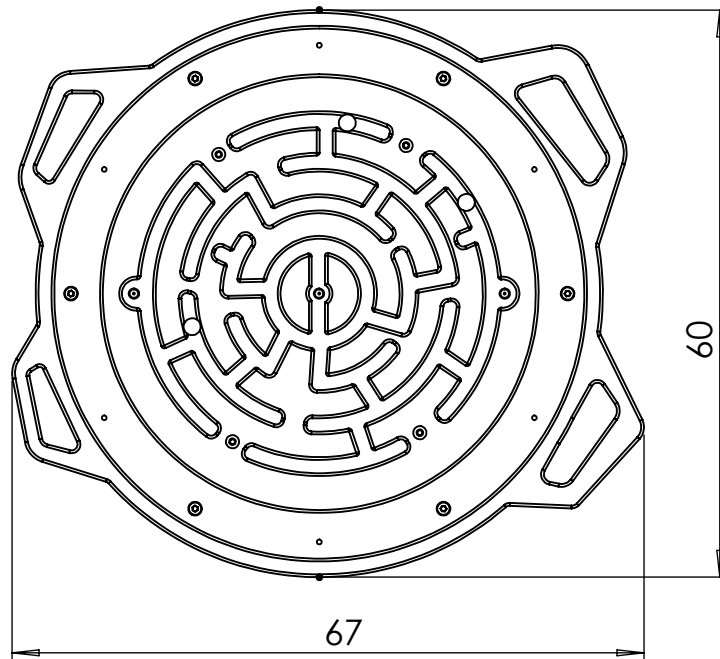
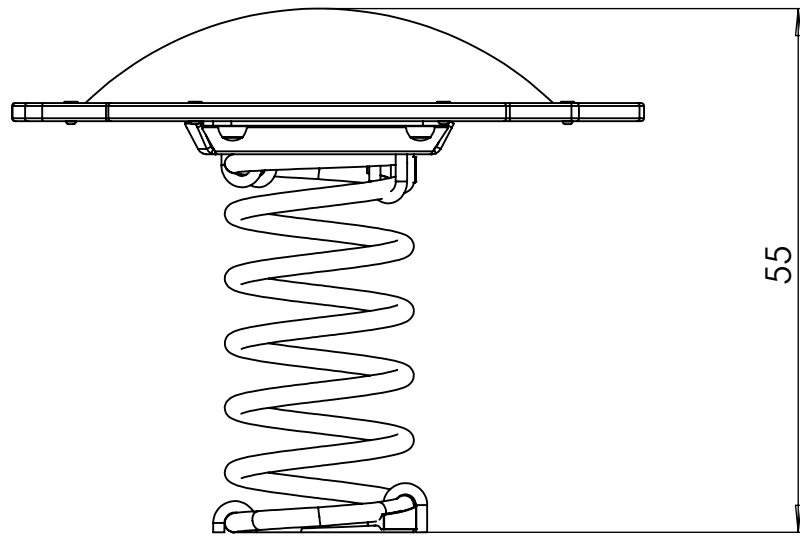
0681

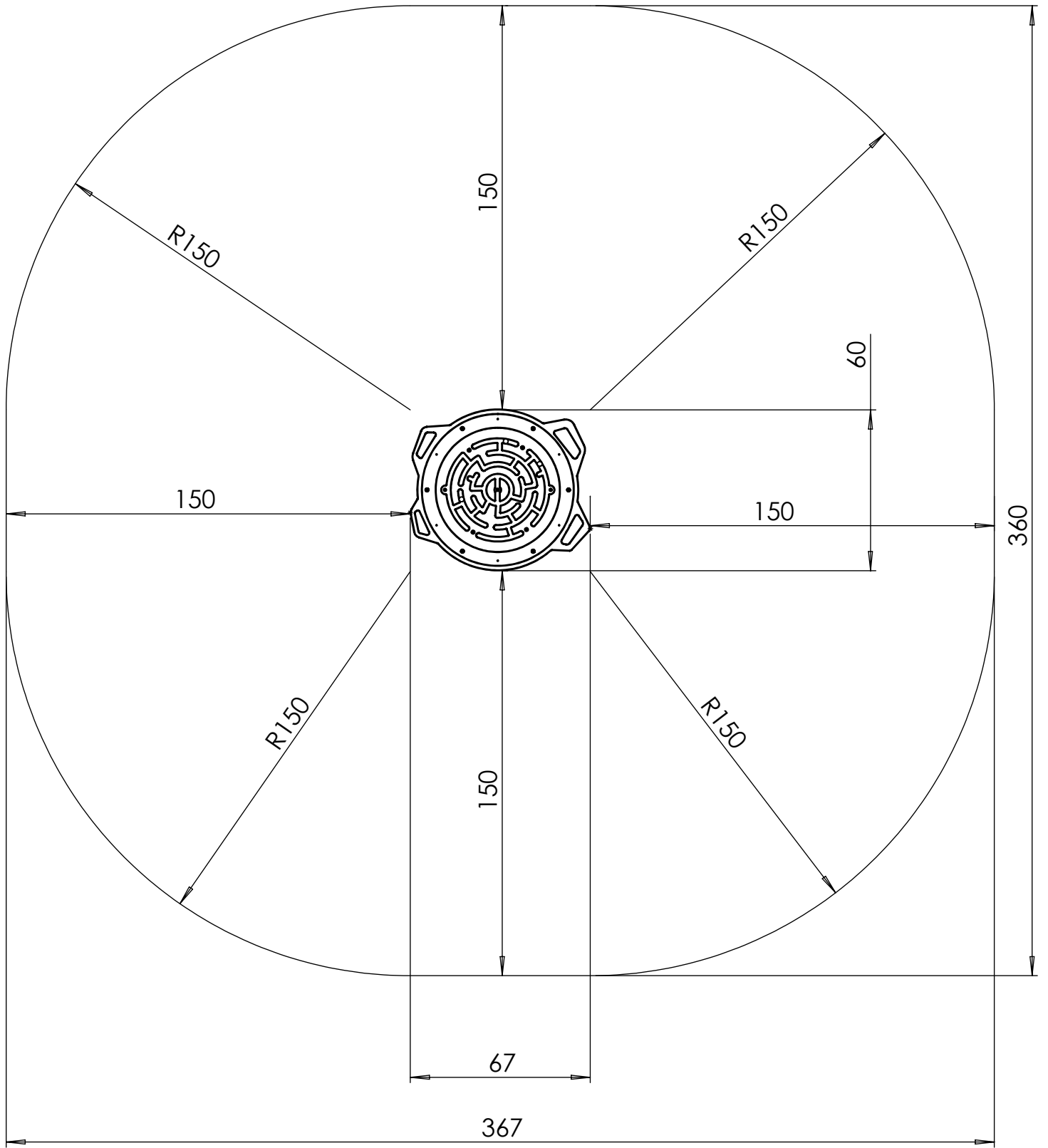


v010
11.08.2021
E. K.
[cm]

vinci
play



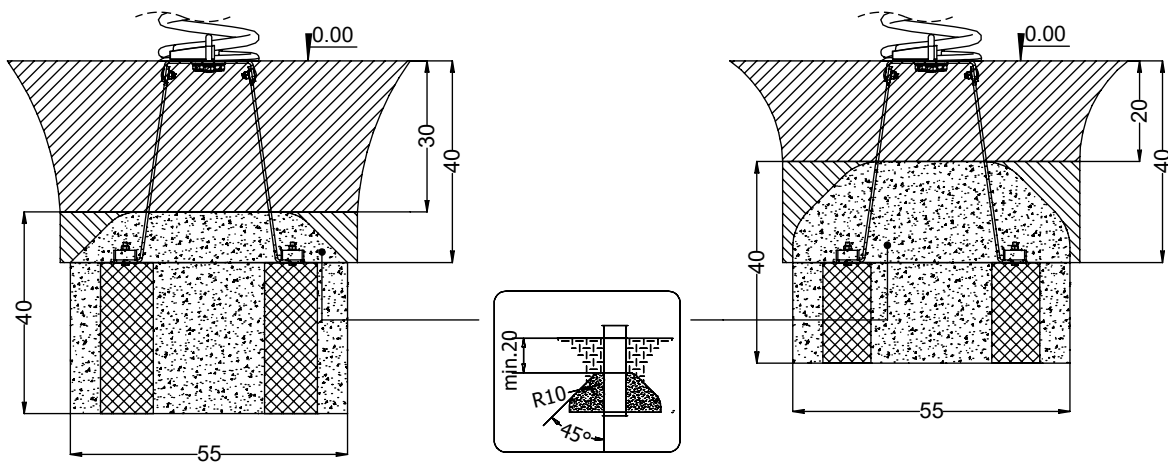




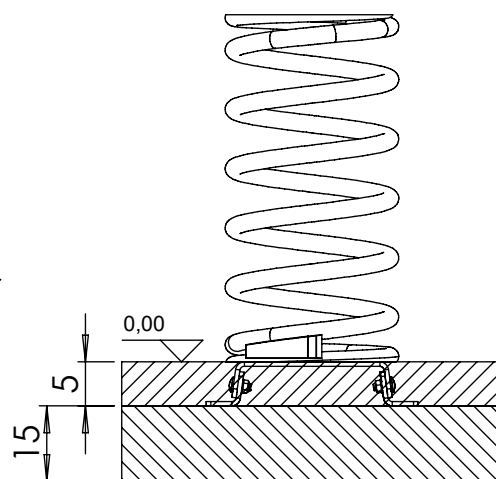
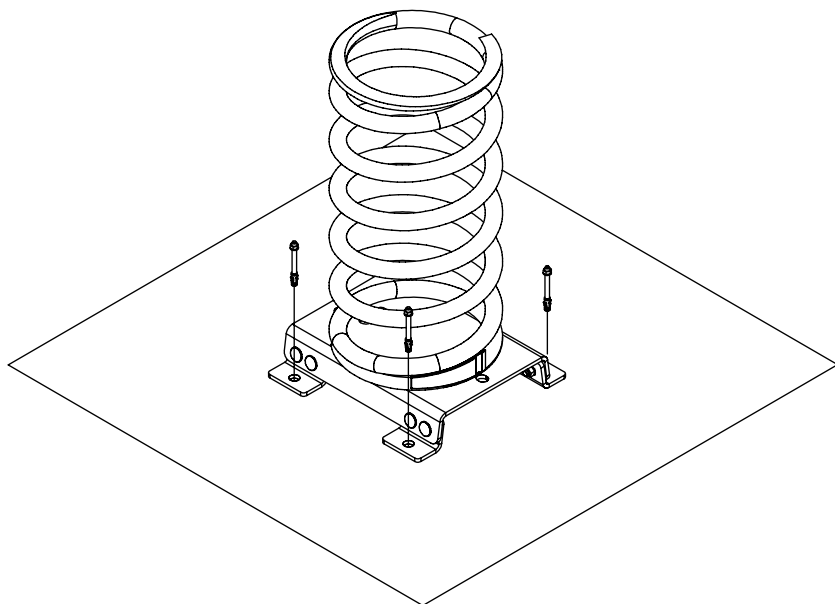
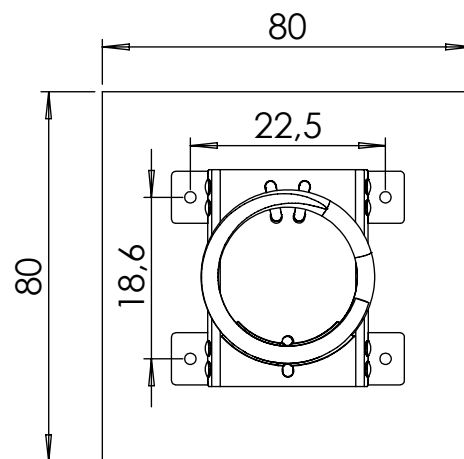
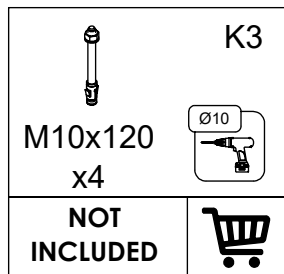
[cm]

vinci
play

K17



K3



[cm]



1,5h

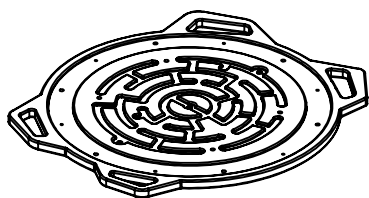


K17
x1 >0,12m³

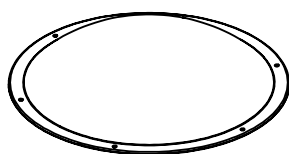
48h
x1

K3
x1 >0,09m³

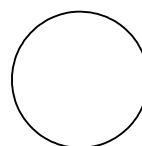
vinci
play



061243
x1



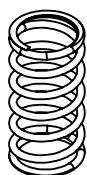
996184
x1



996249
x3



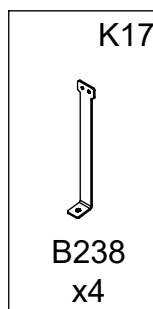
B-245-1
x1



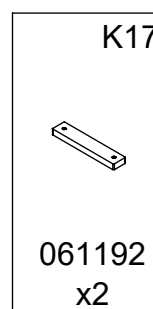
993119
x1



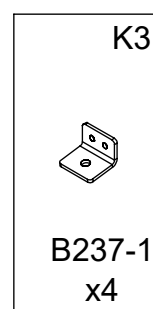
B239
x1



K17
B238
x4

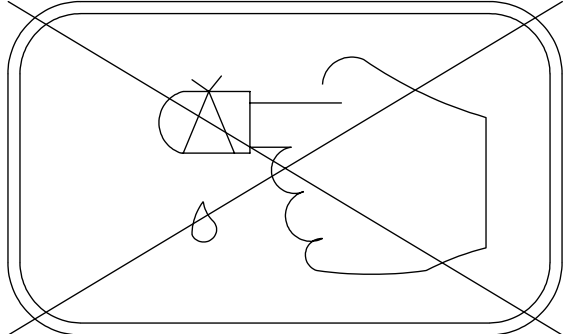
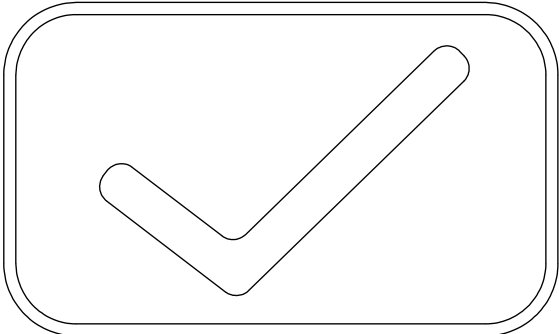
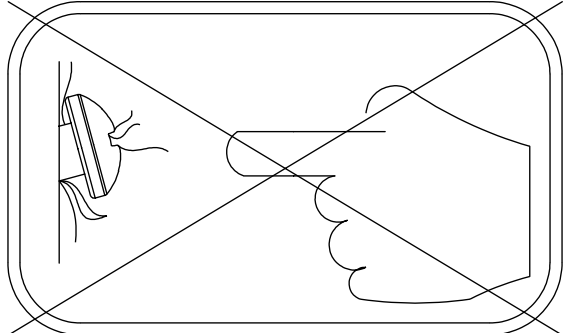
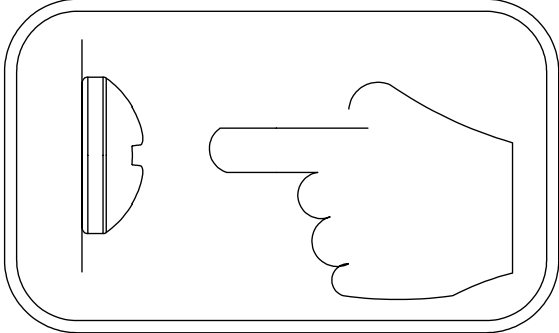
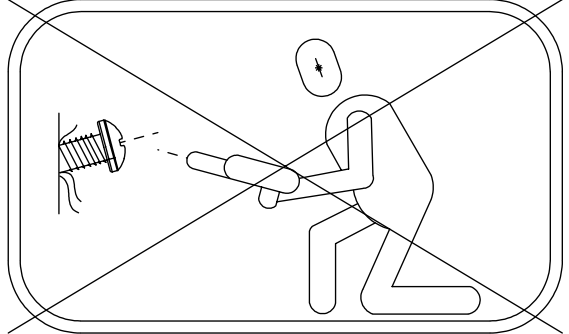
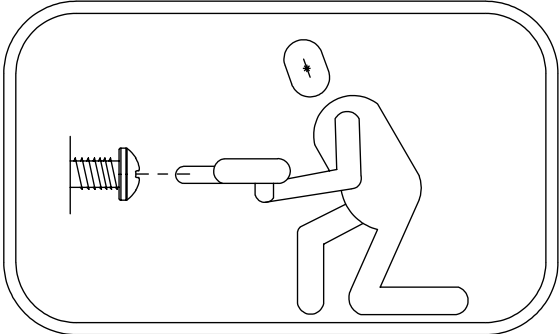


K17
061192
x2

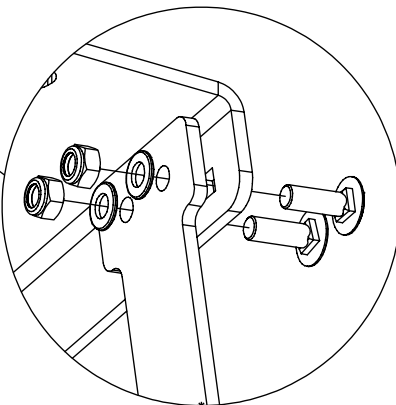
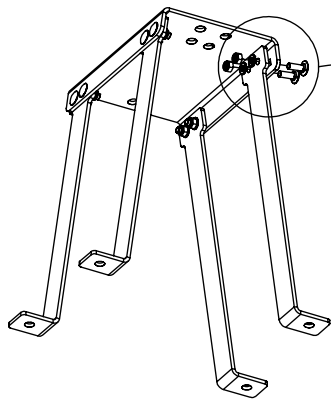


K3
B237-1
x4

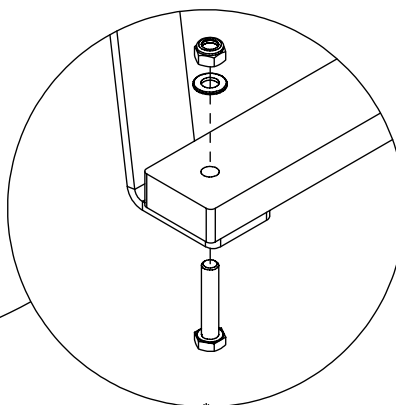
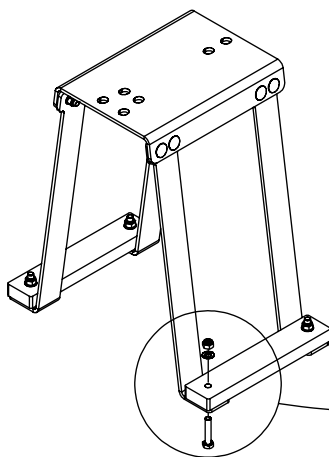
ST/INOX		HDPE	
1x	SP3 _(K17)	1x	SP71
1x	SP1	1x	SP72
2x	SP2		
1x	V001		



K17

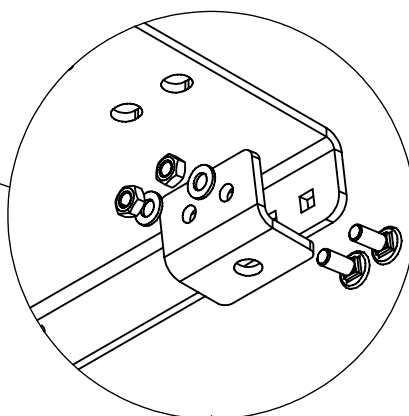
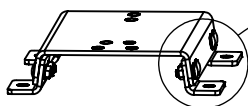


SP1 x1



SP3 x1

K3

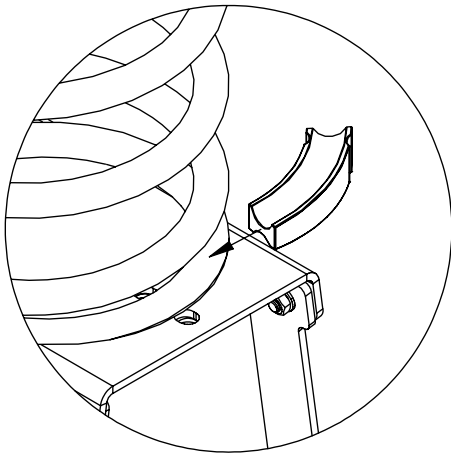


SP1 x1

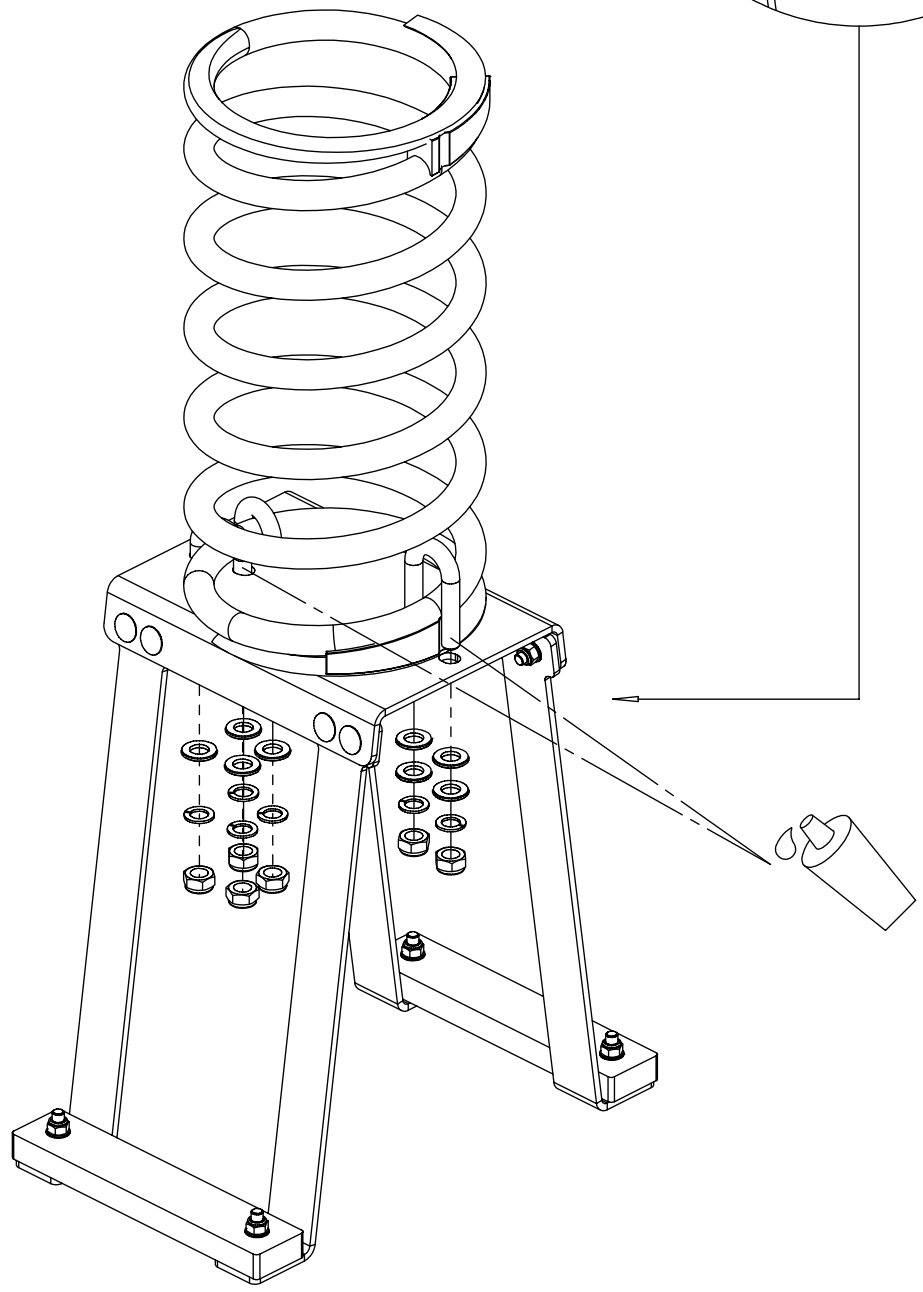
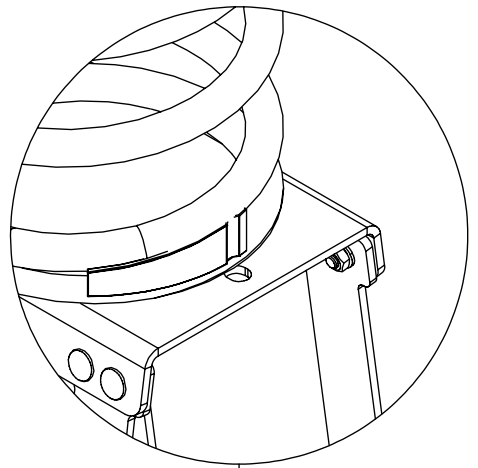


[cm]

vinci
play



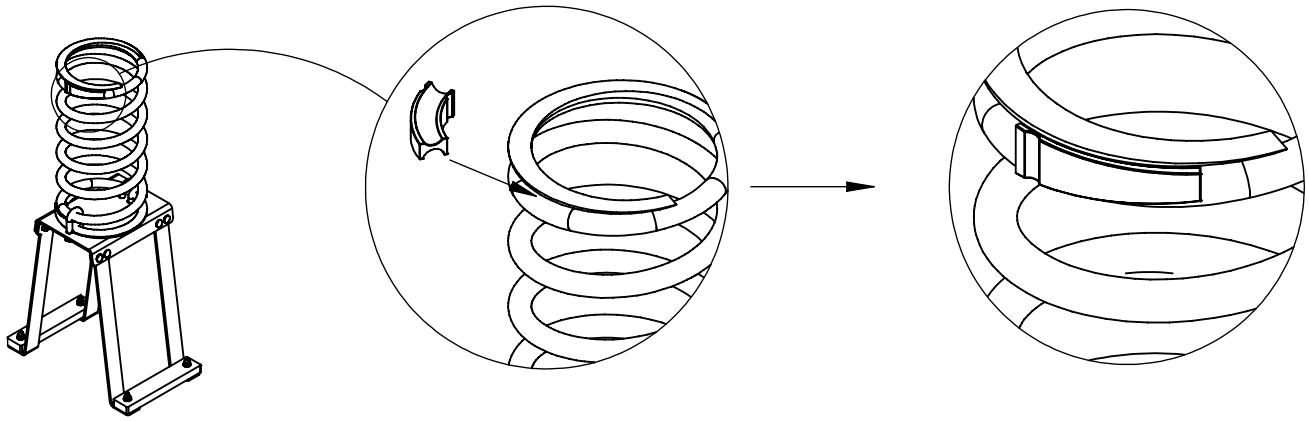
SP2 x1



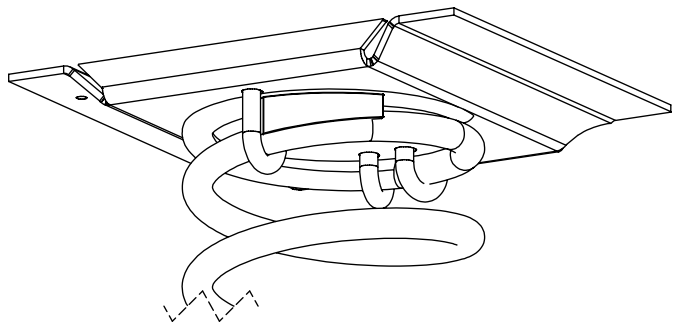
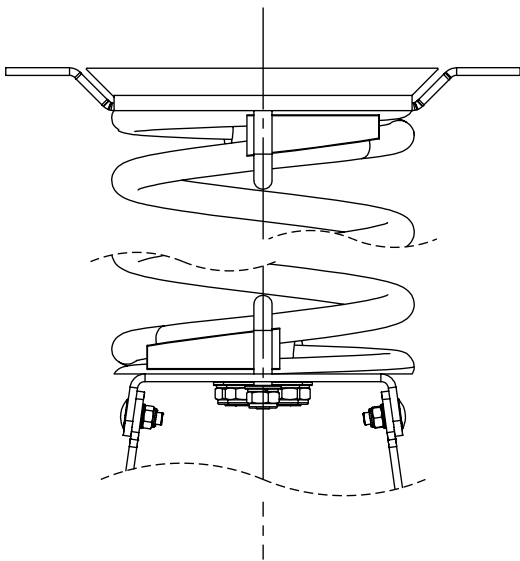
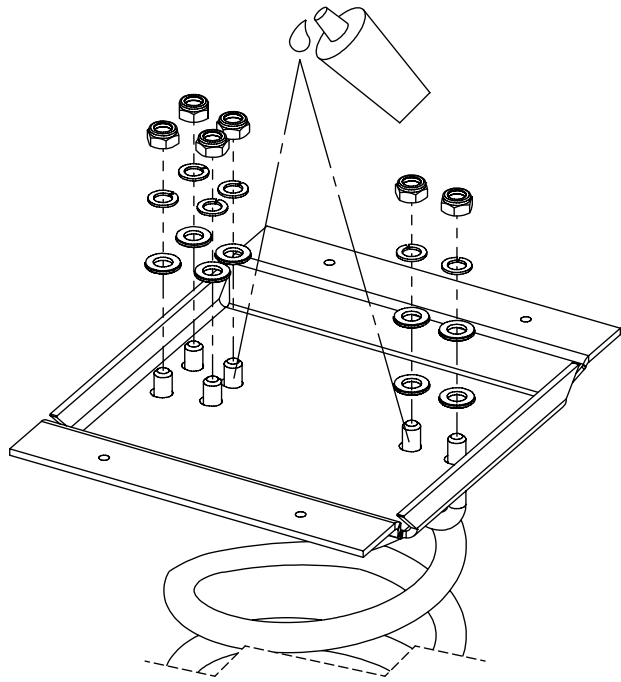
[cm]



vinci
play



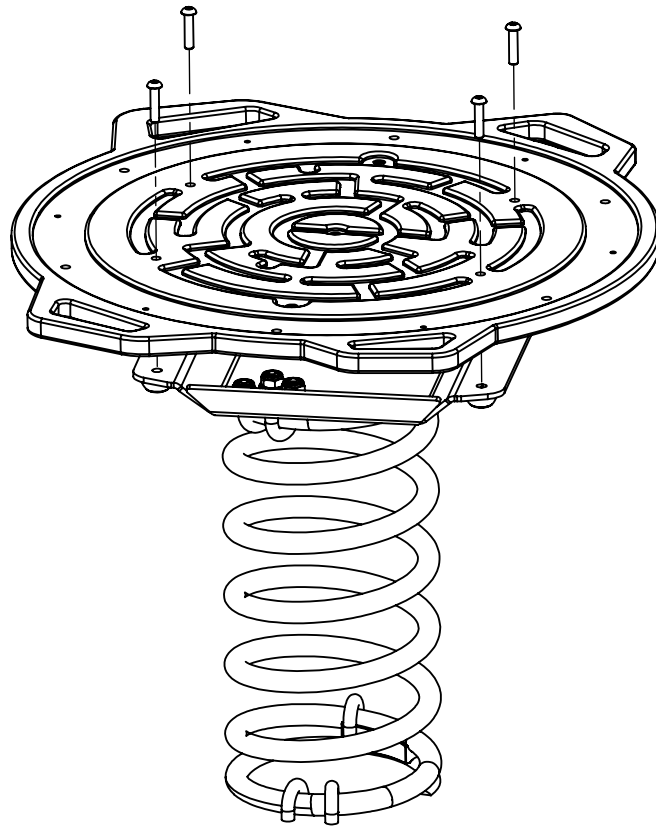
SP2 x1



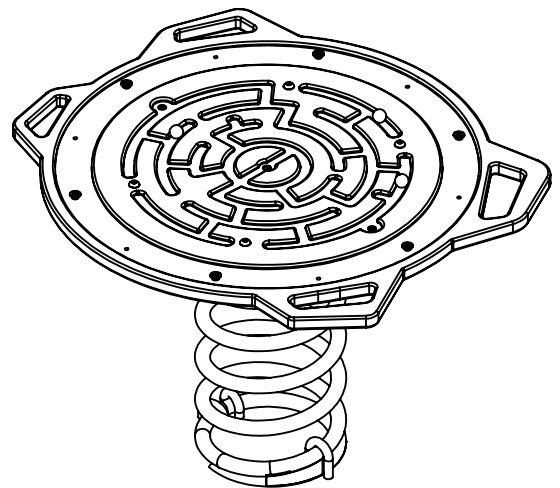
[cm]

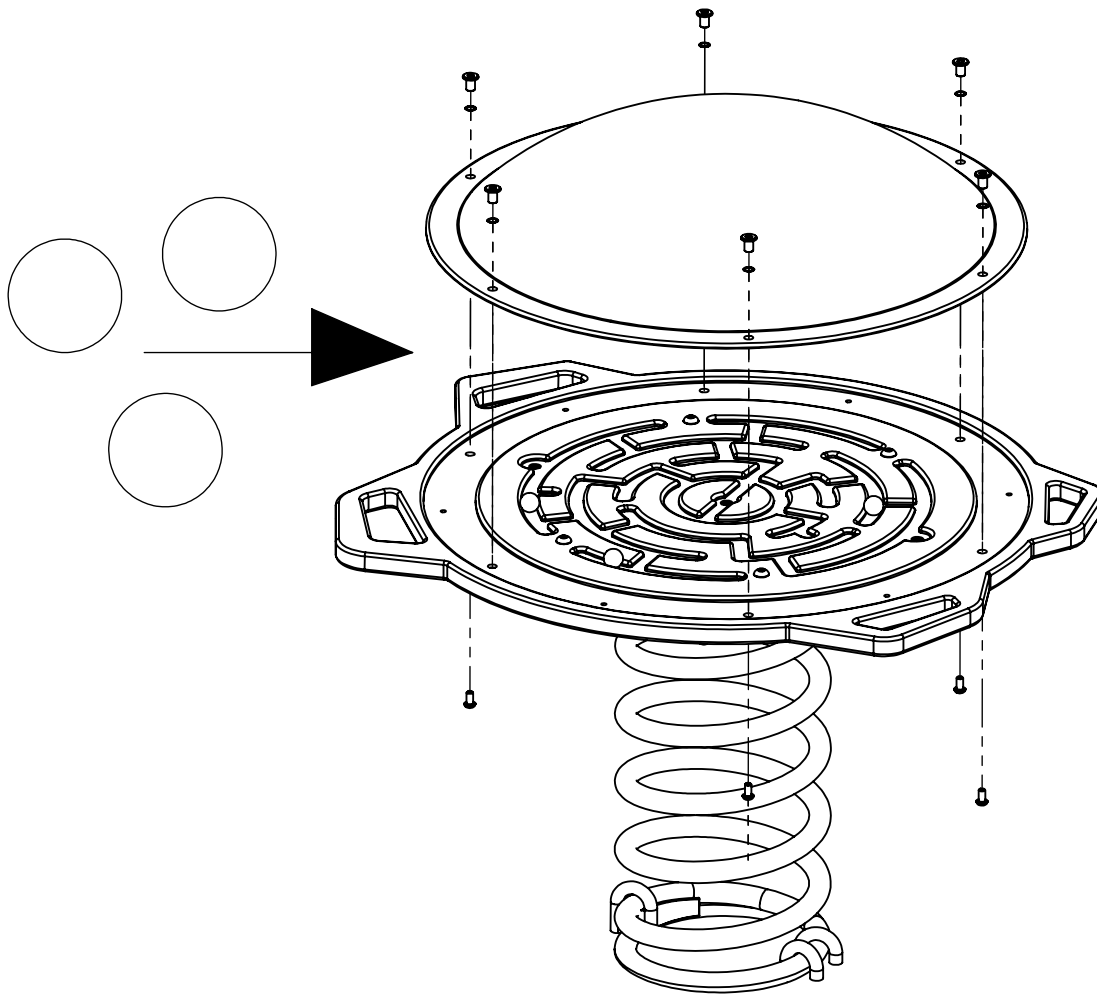


vinci
play



SP71 x1

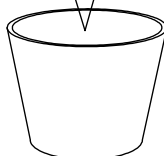
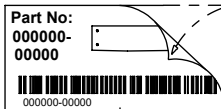
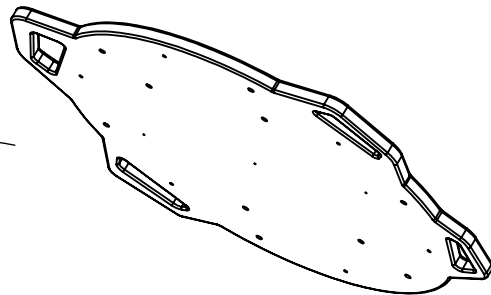




SP72 x1



V001



[cm]

vinci
play