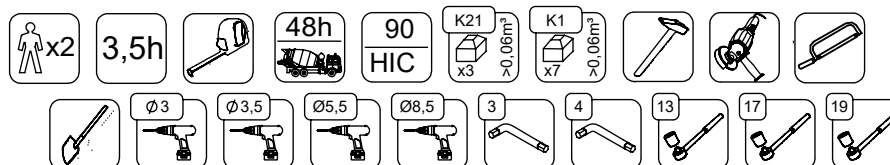
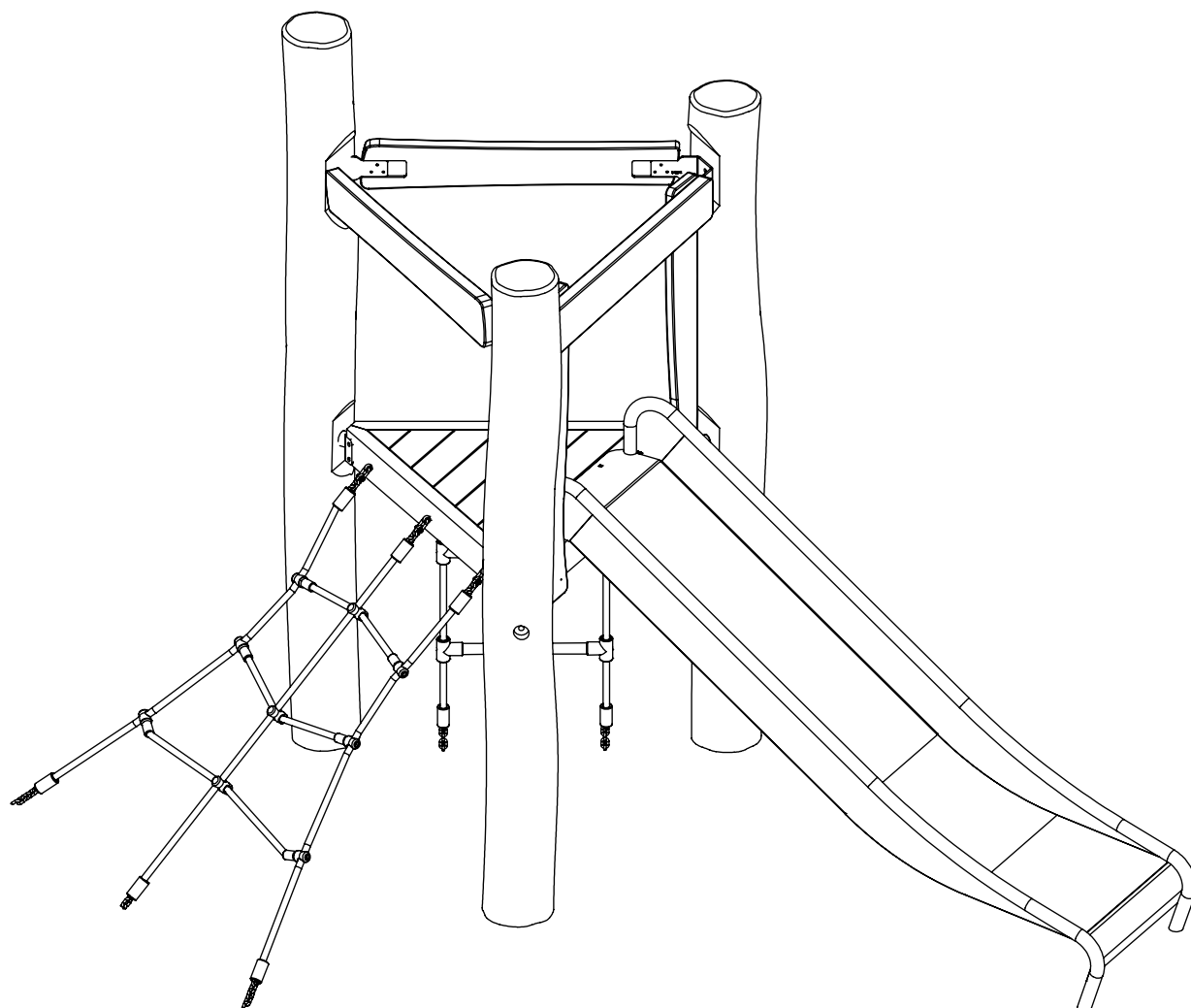
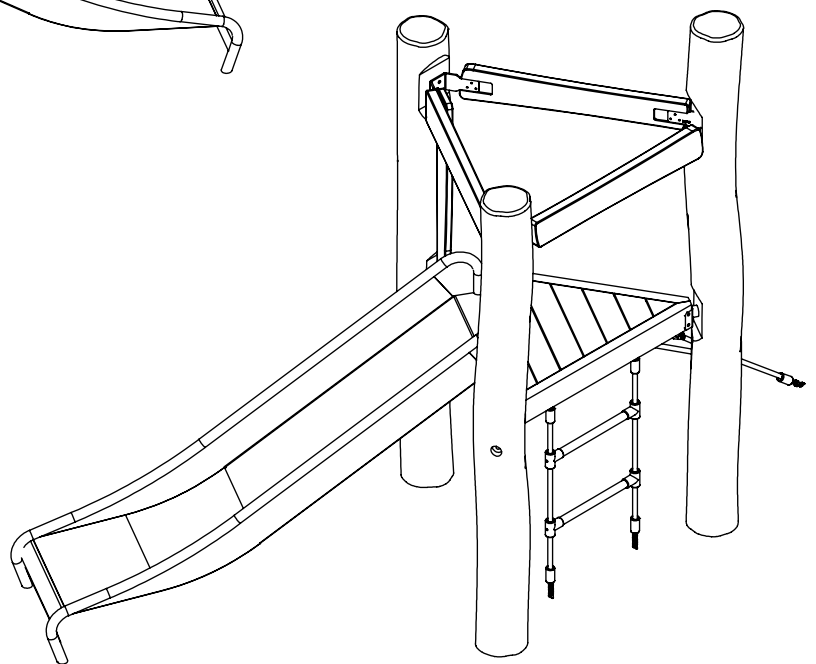
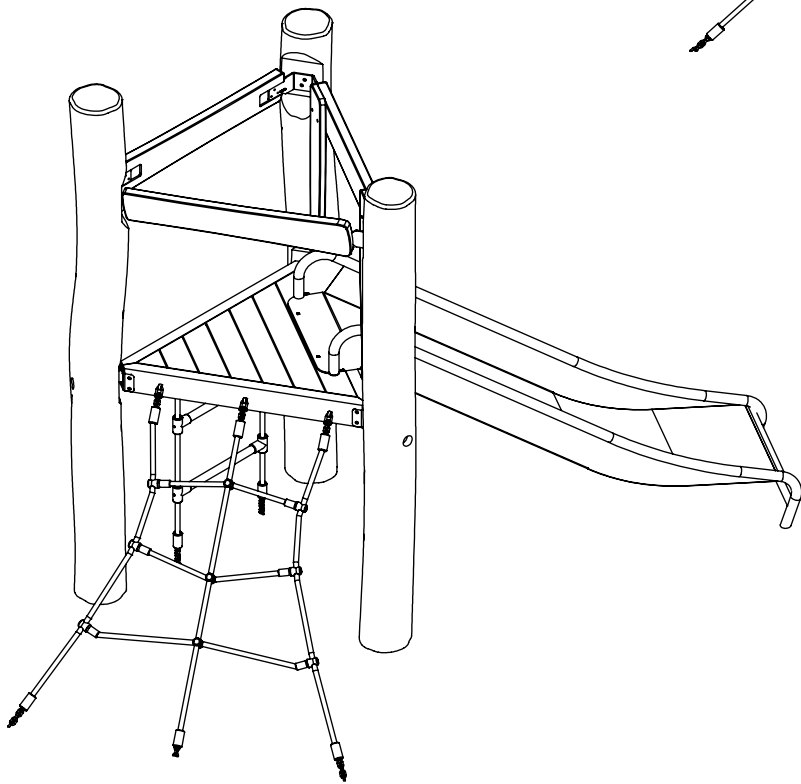
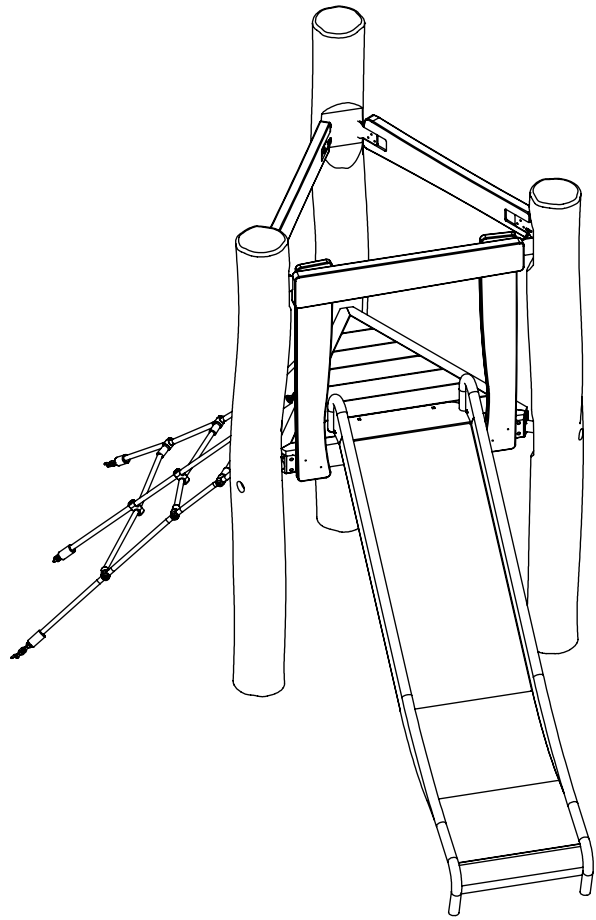
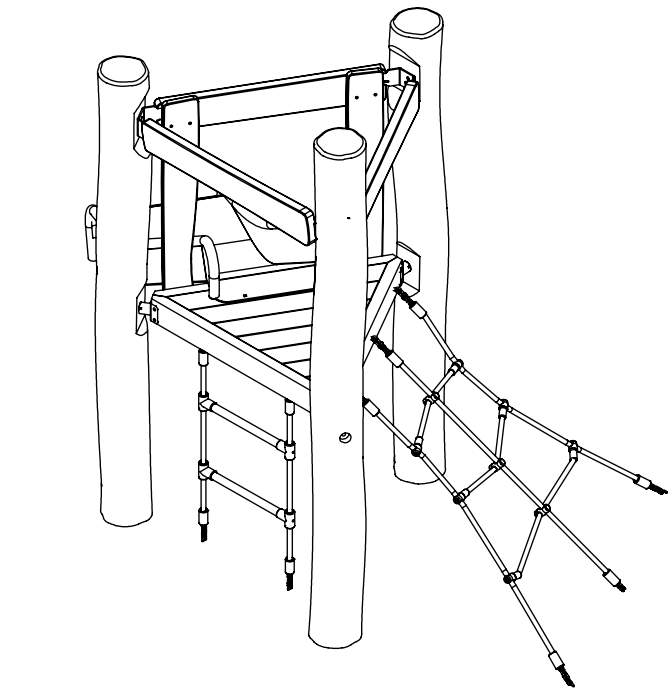


RB1301



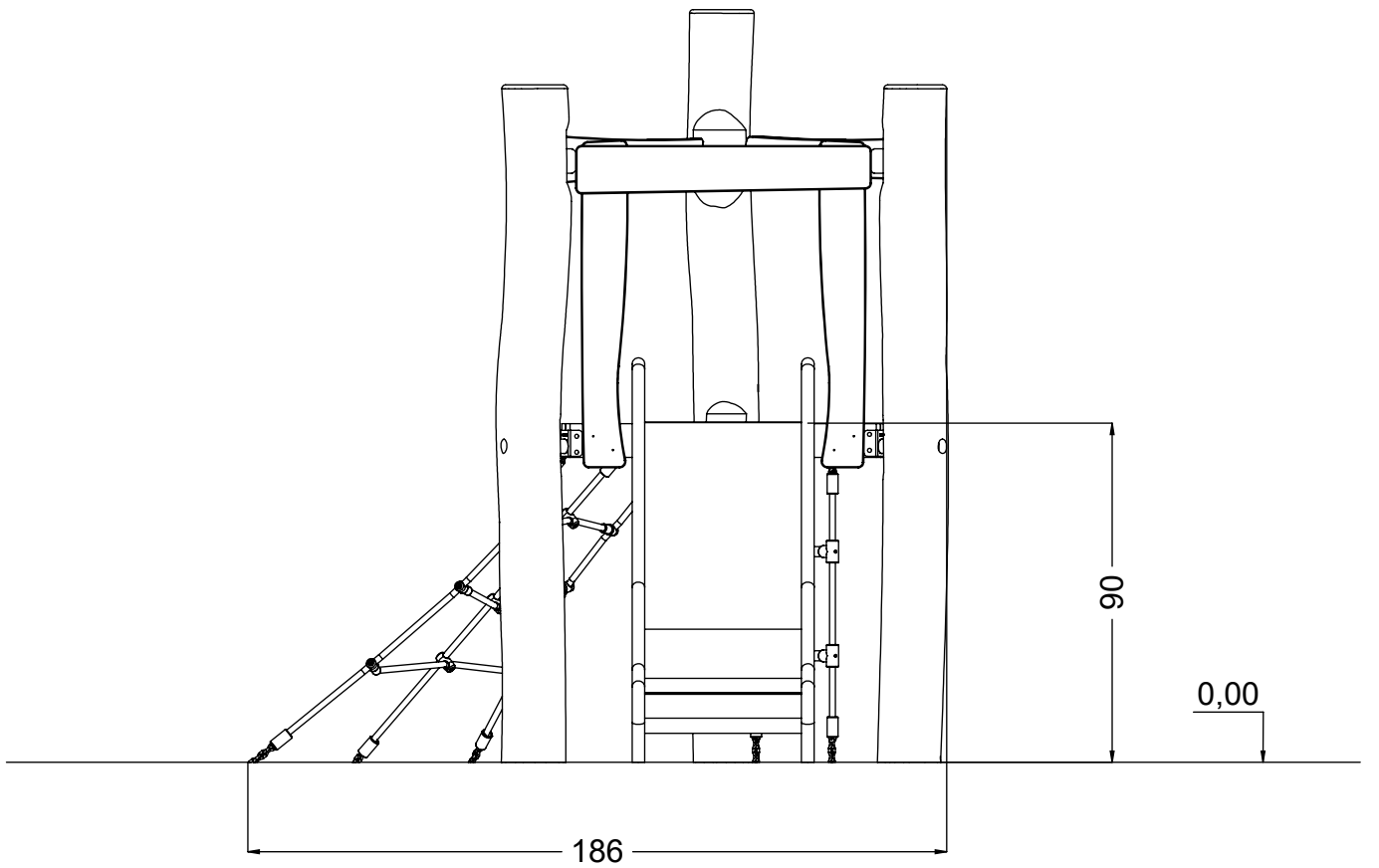
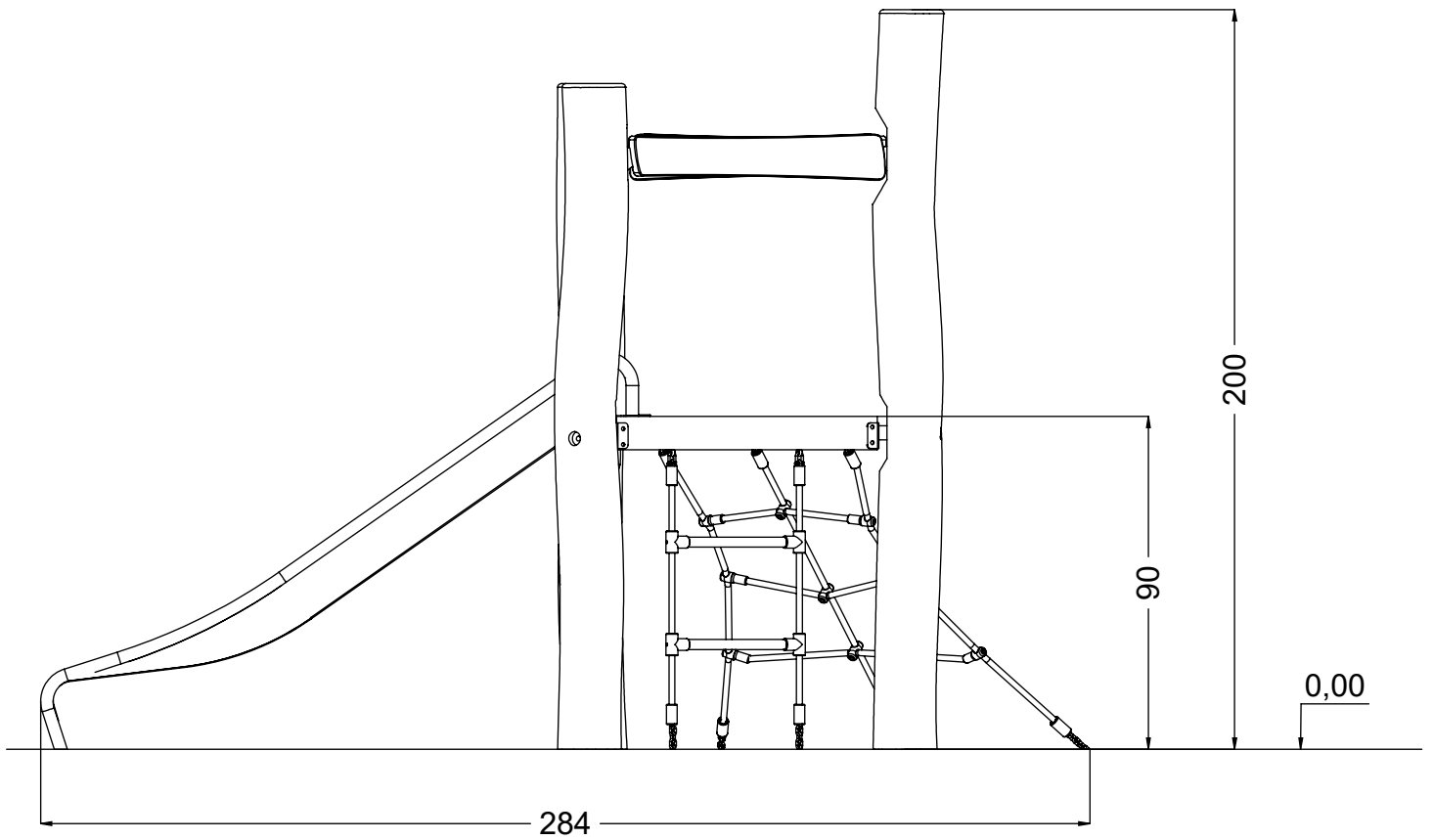
v010
04.03.2021
A. P.
[cm]

vinci
play



[cm]

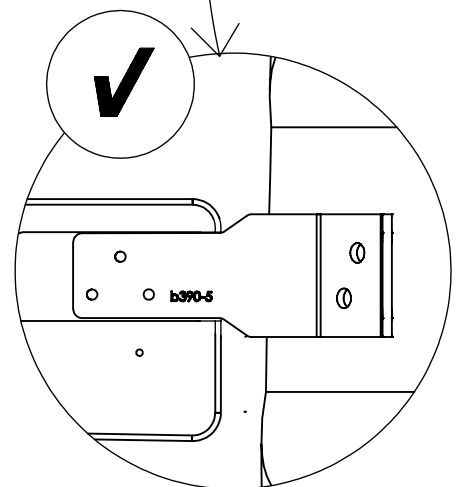
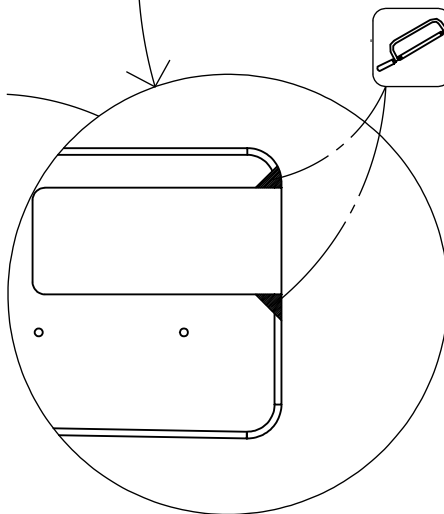
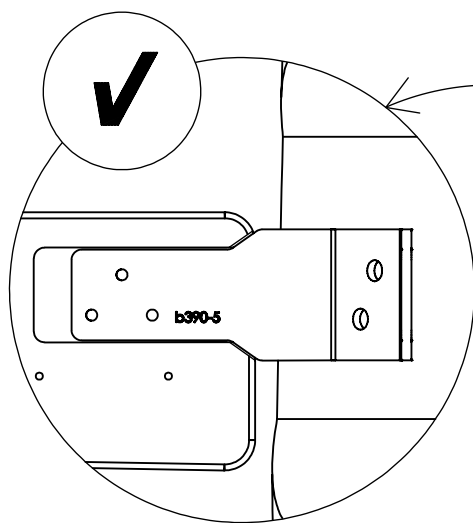
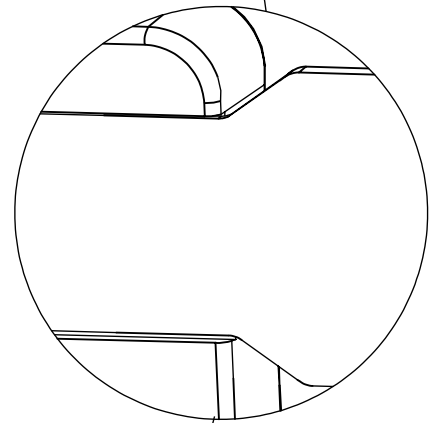
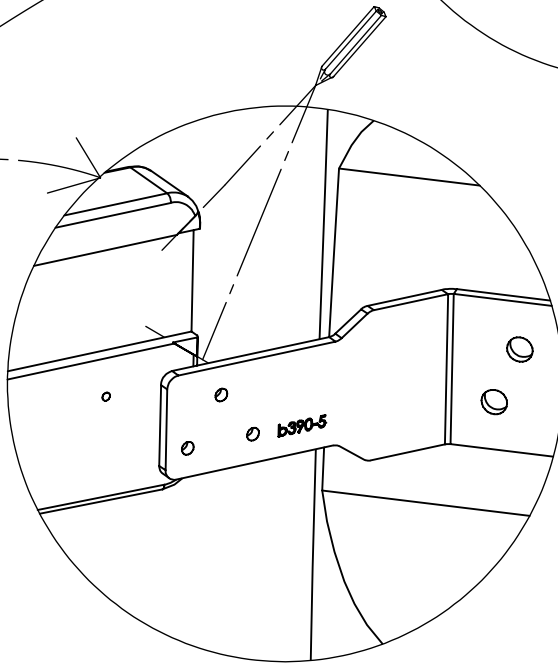
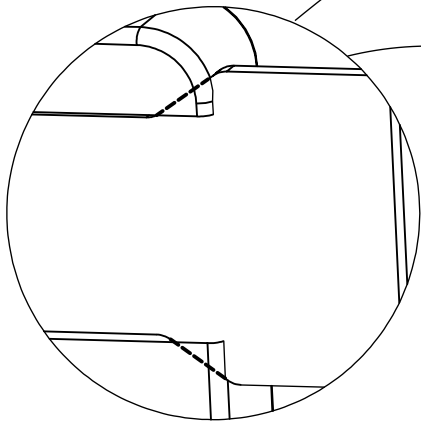
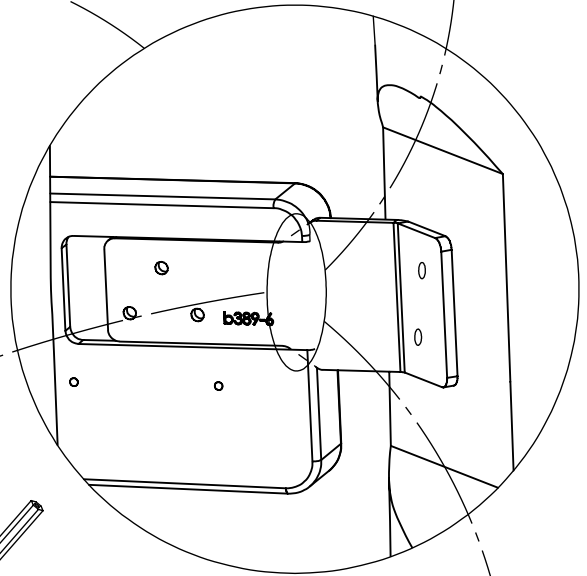
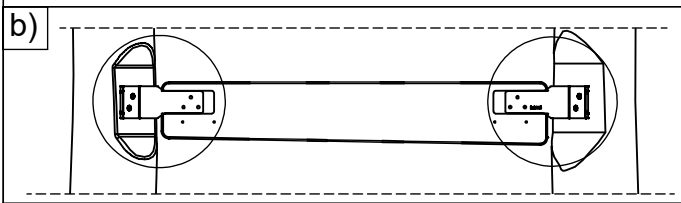
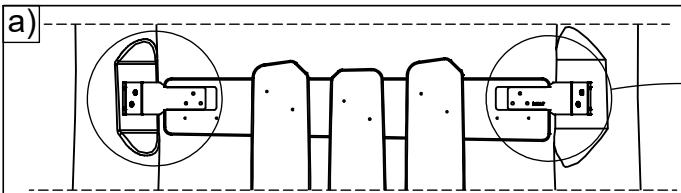
vinci
play



[cm]

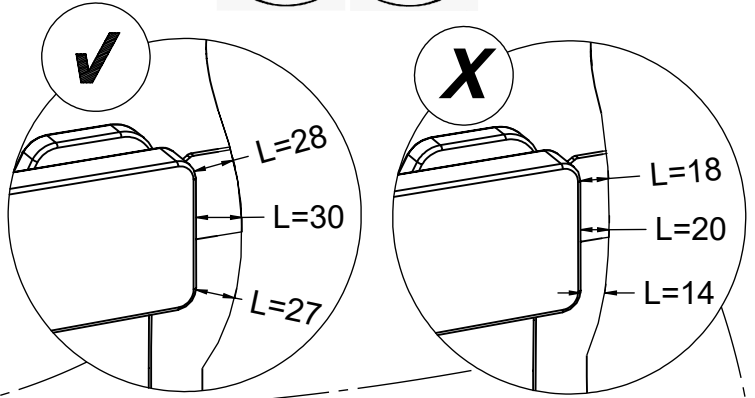
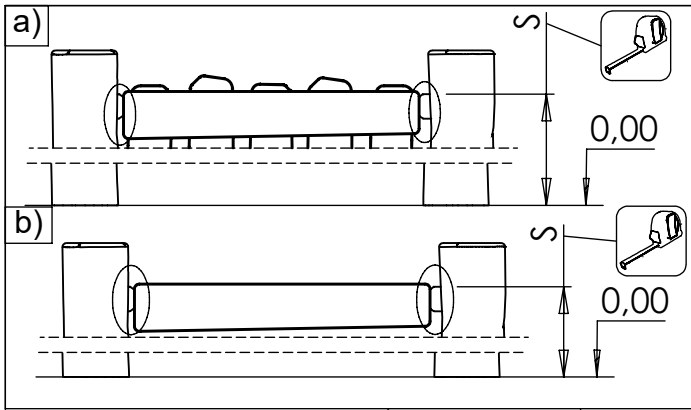


vinci
play



[cm]

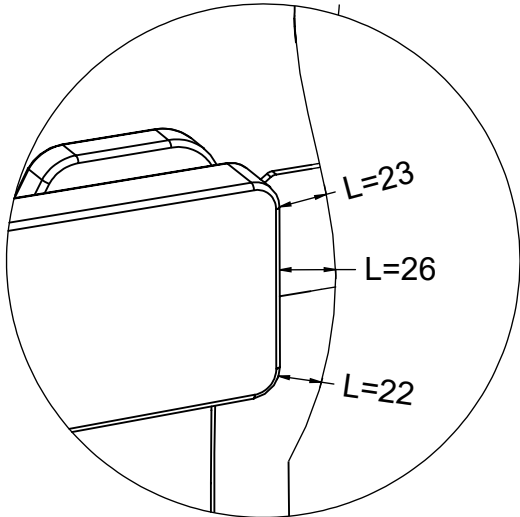
vinci
play



S<97

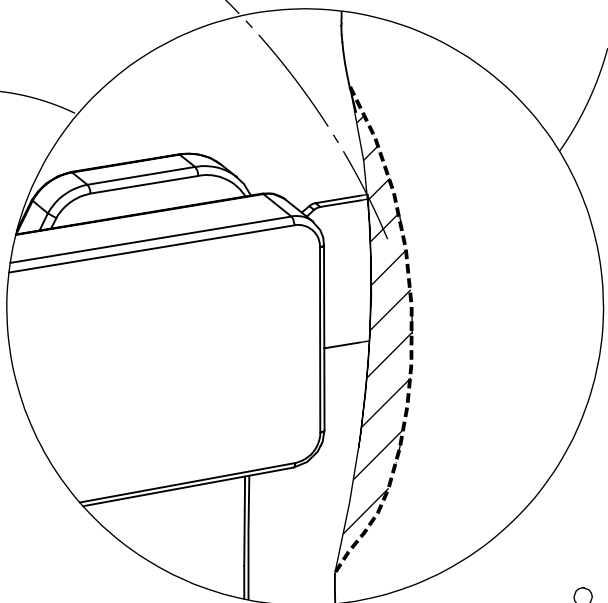
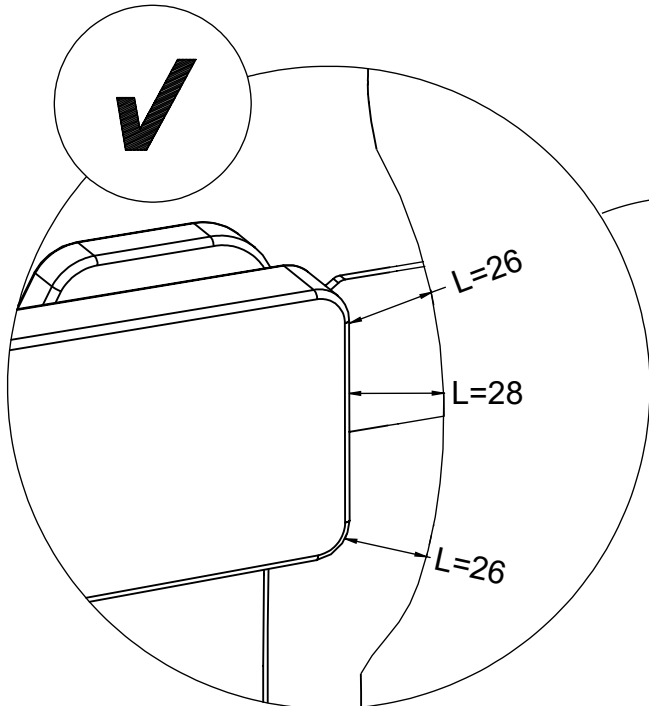
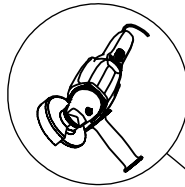
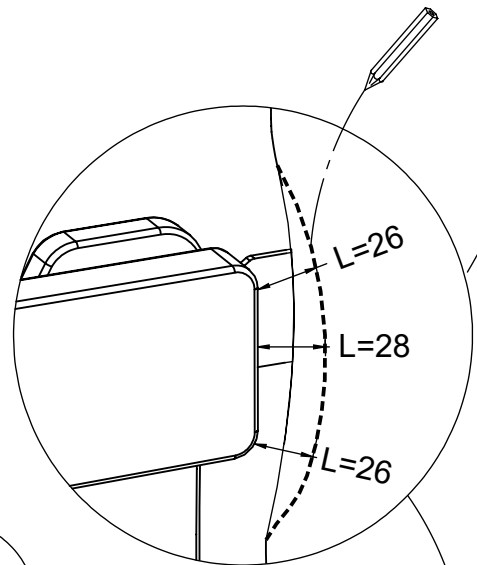
S>97

L>25mm **✓** L≤25mm **X**



L>25mm **✓**

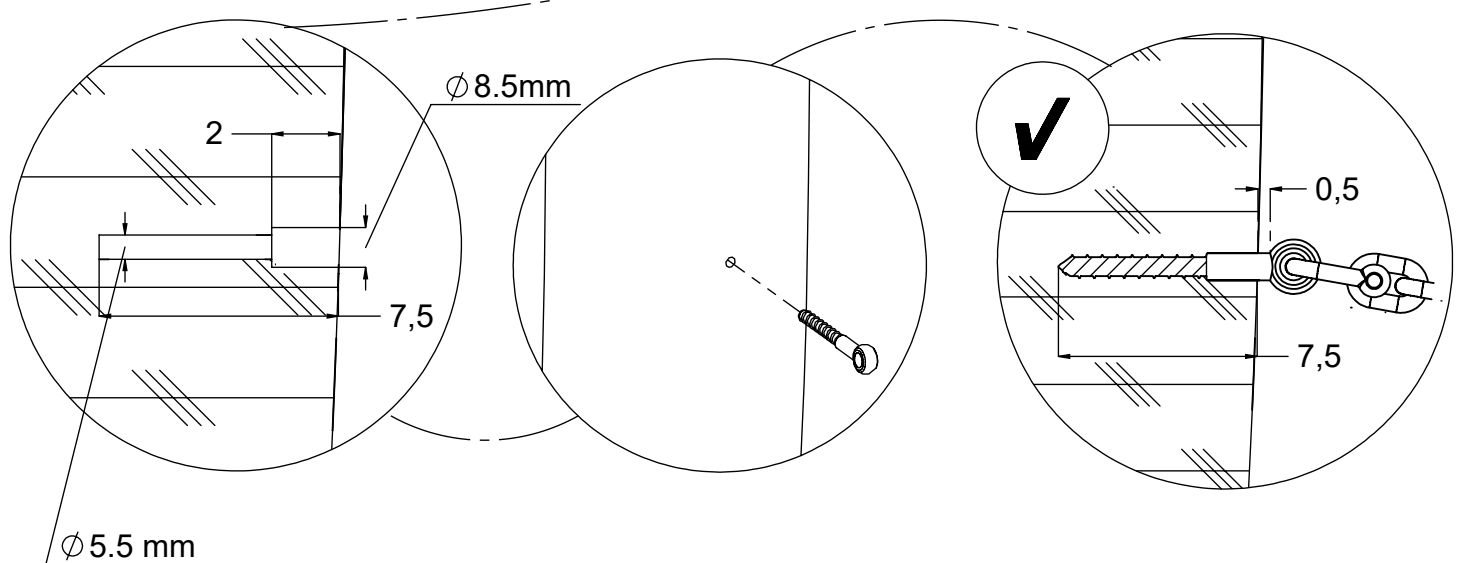
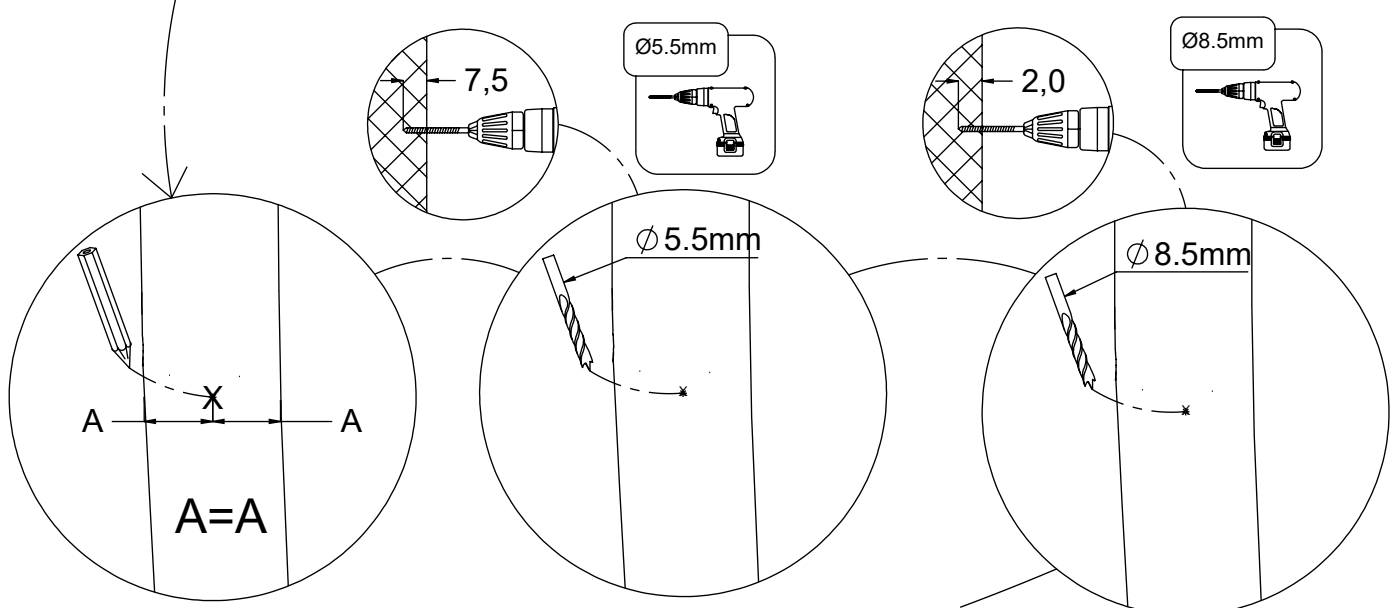
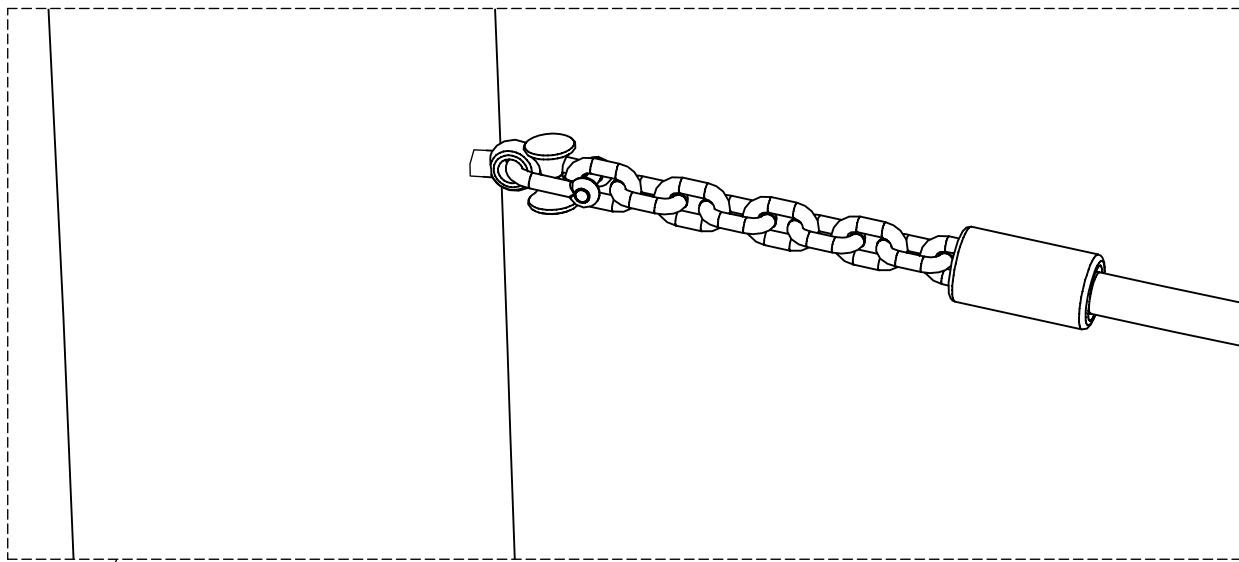
L≤25mm **✓**



L>25mm **✓** 

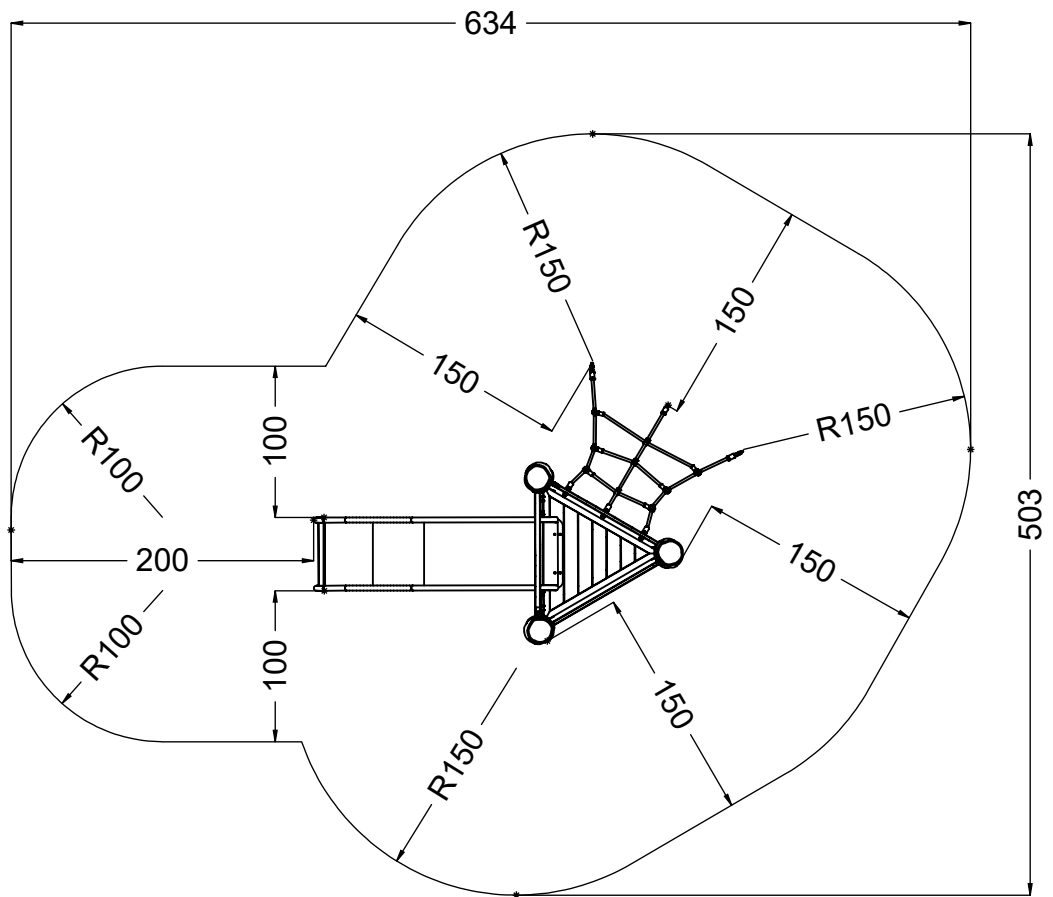
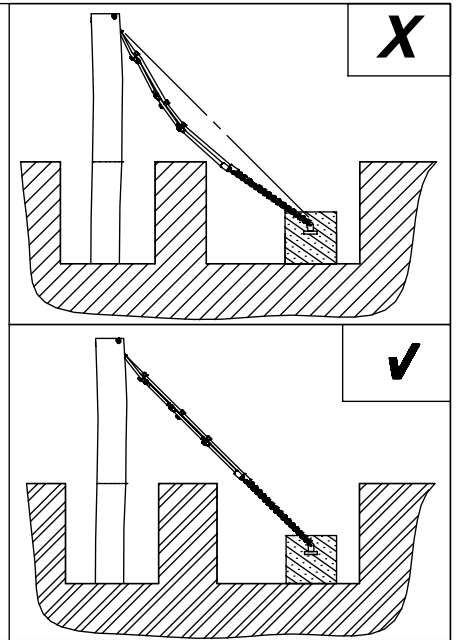
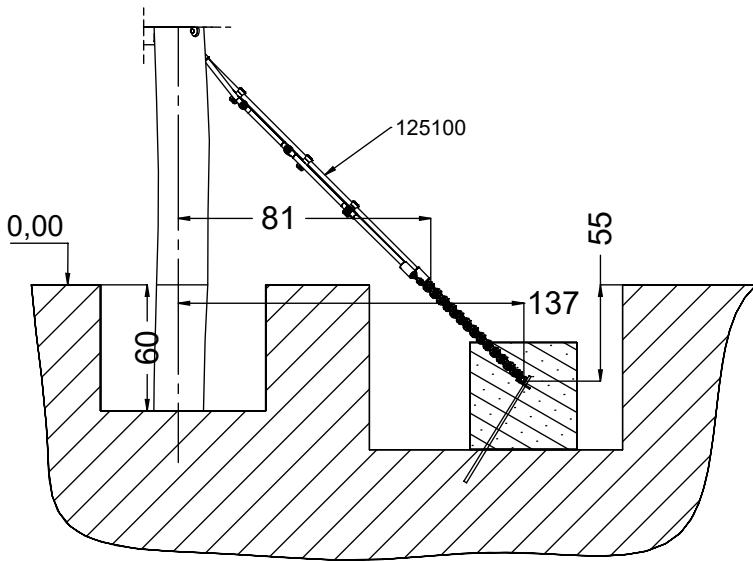
[cm]

vinci
play



[cm]

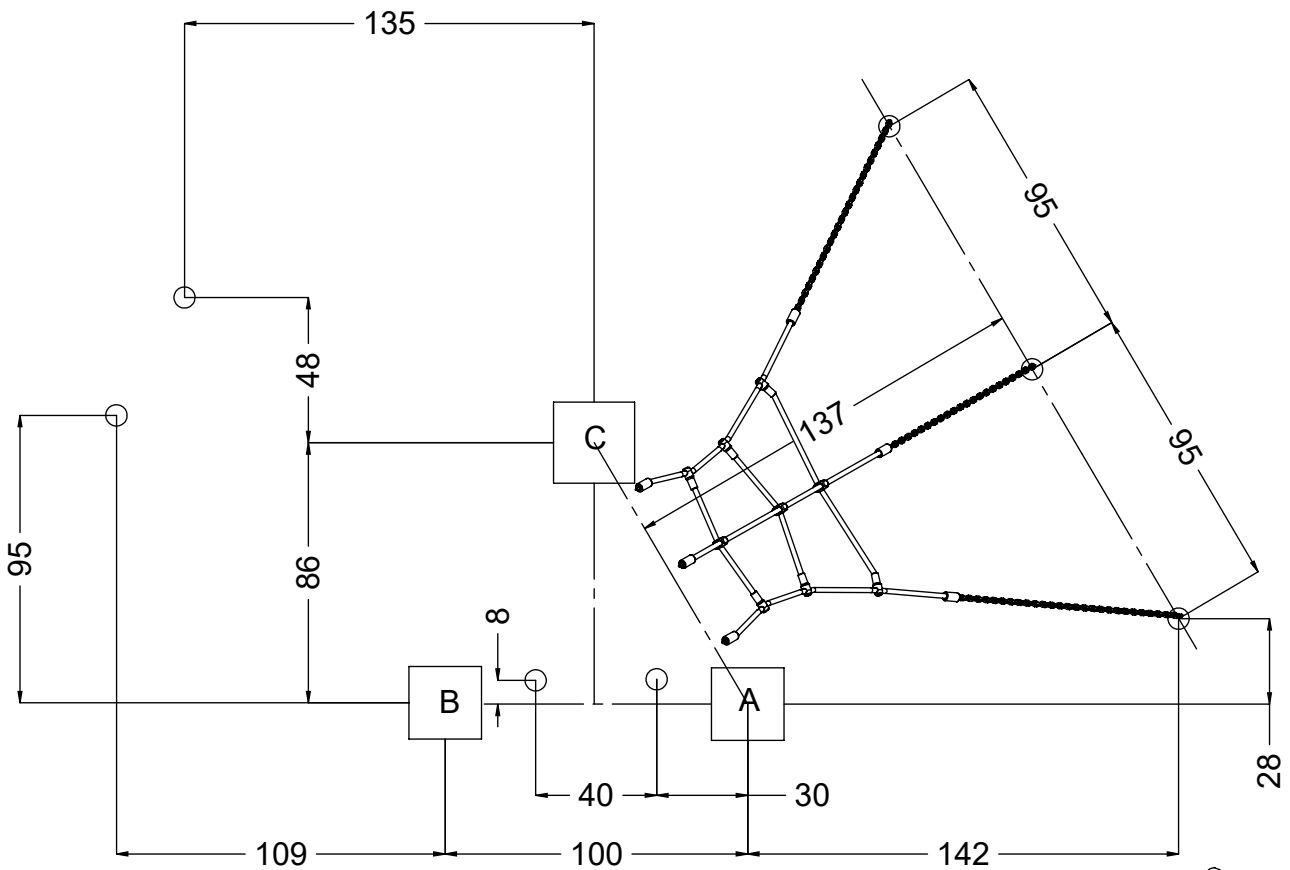
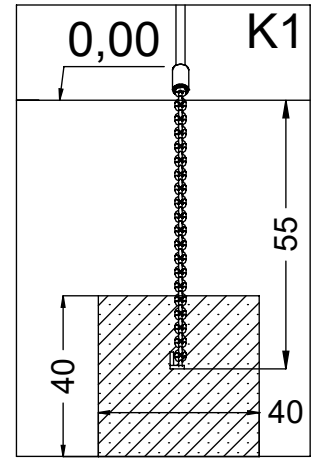
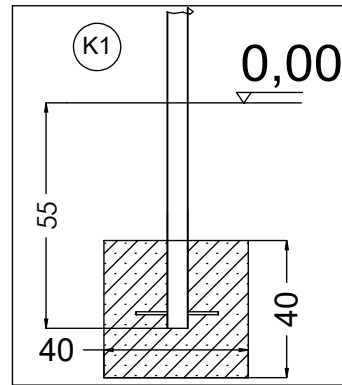
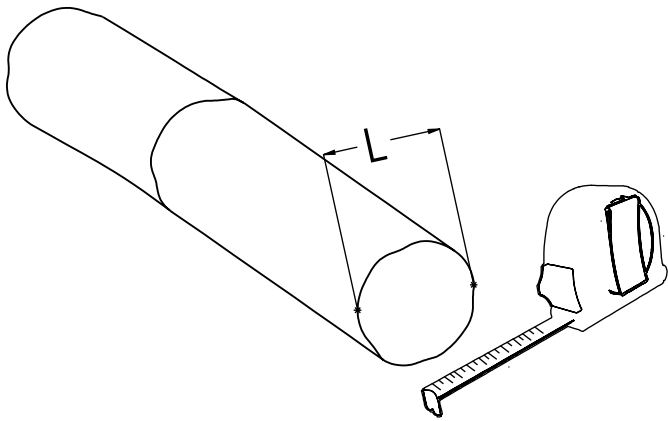
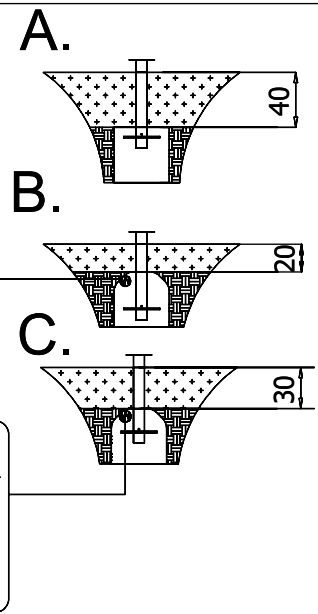
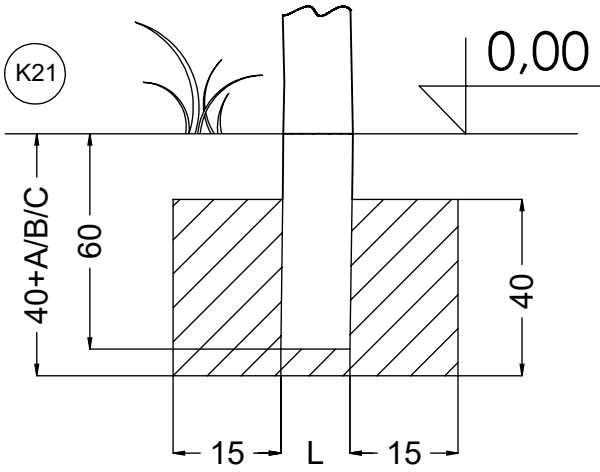
vinci
play



[cm]



vinci
play



[cm]



3h



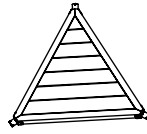
vinci
play



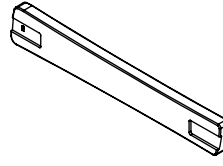
127286 (A)
x1



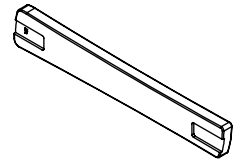
127299 (B,C)
x2



124108
x1



128168
x2



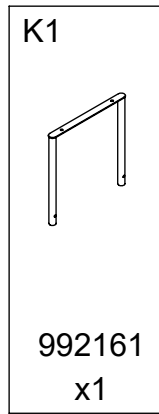
128107
x1



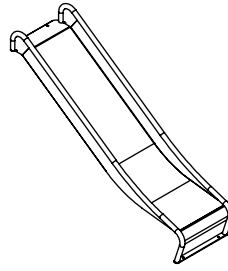
128103
x1



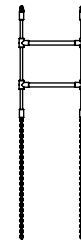
128178
x1



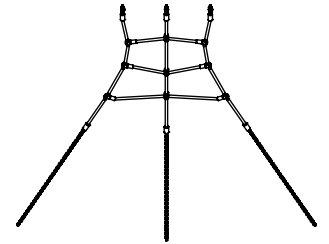
K1
992161
x1



994172
x1



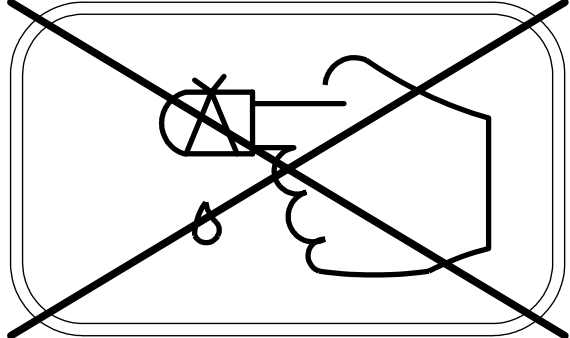
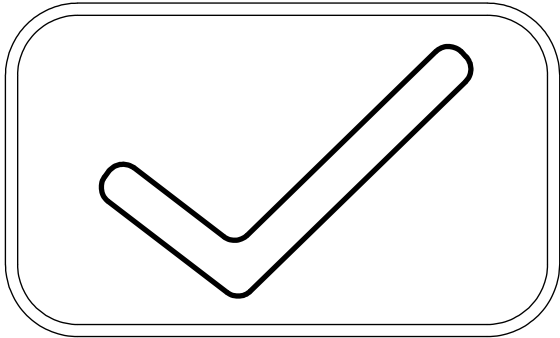
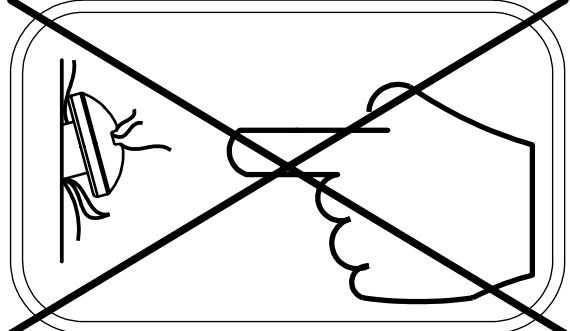
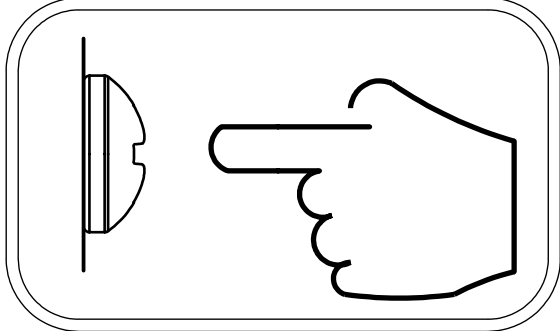
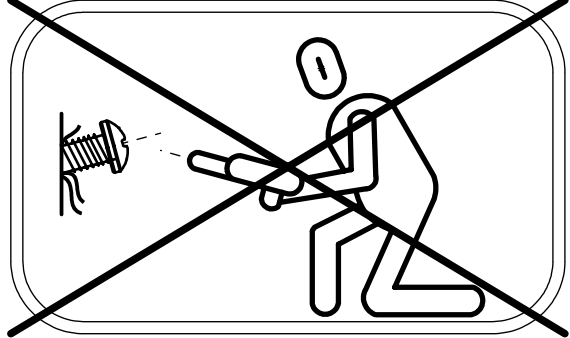
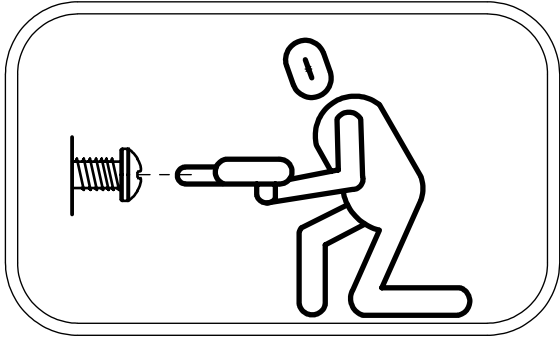
125111
x1

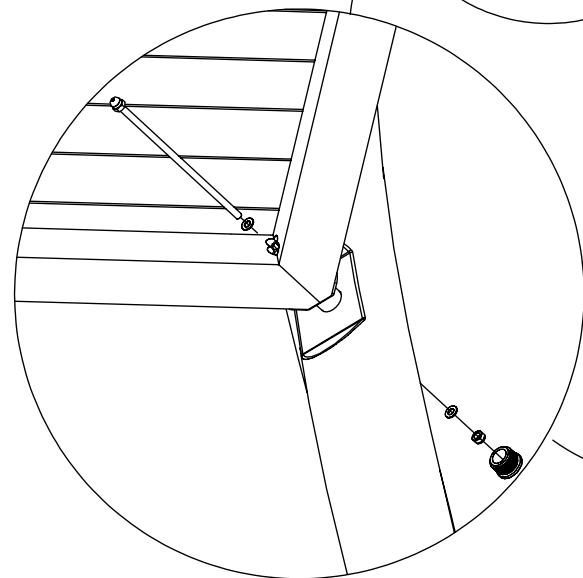
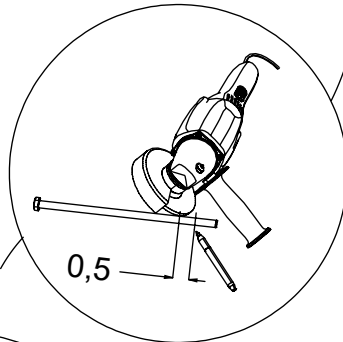
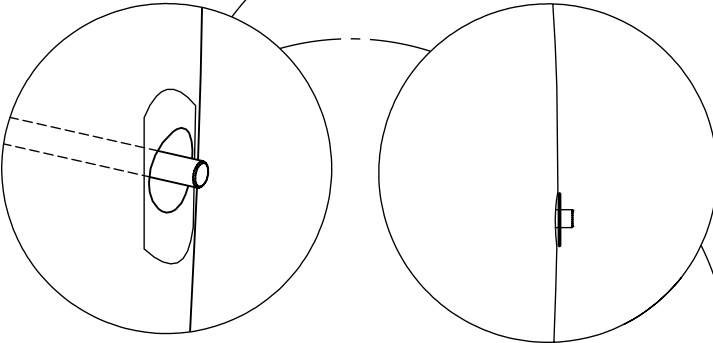
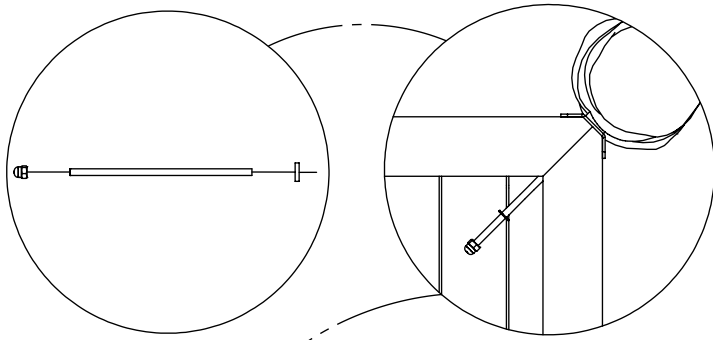


125100
x1

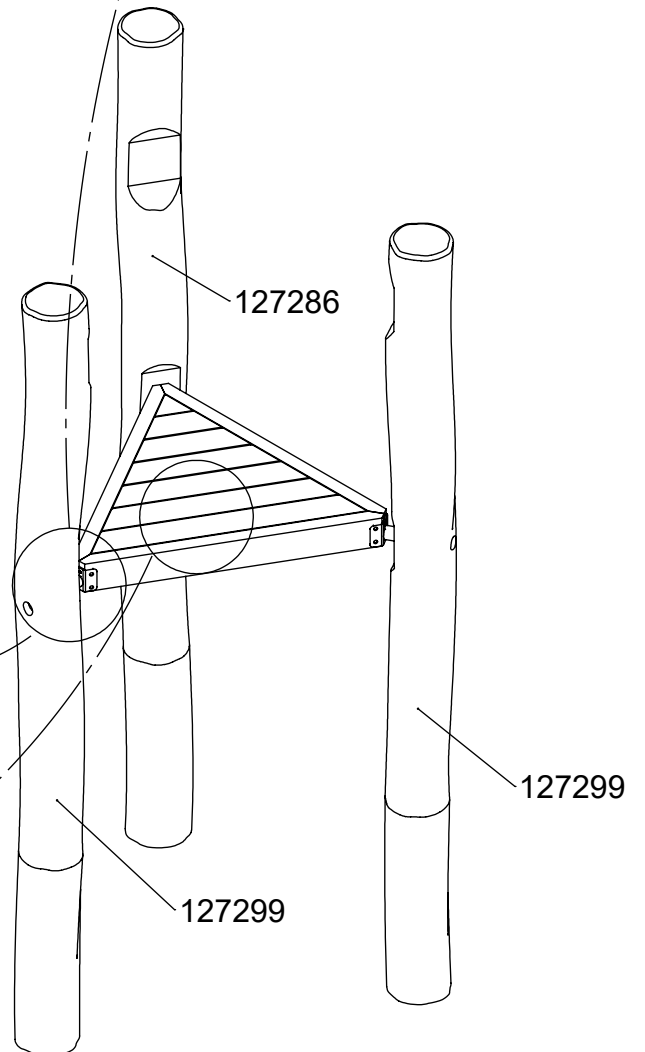
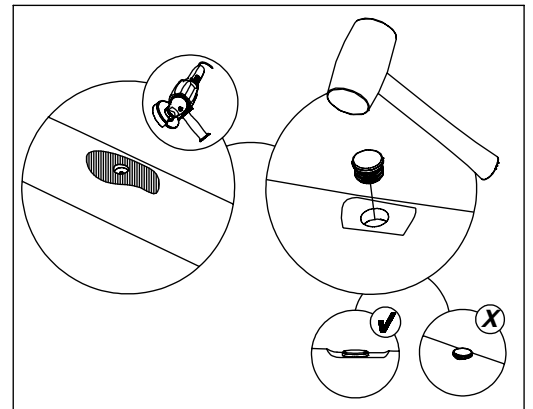
1x	12e003
1x	12e007
1x	12e015
1x	12e019
1x	12e030
5x	12e052
3x	b405
1x	GL
1x	V001

8x	5x50sxs
18x	5x30sxs
6x	8x50sxi



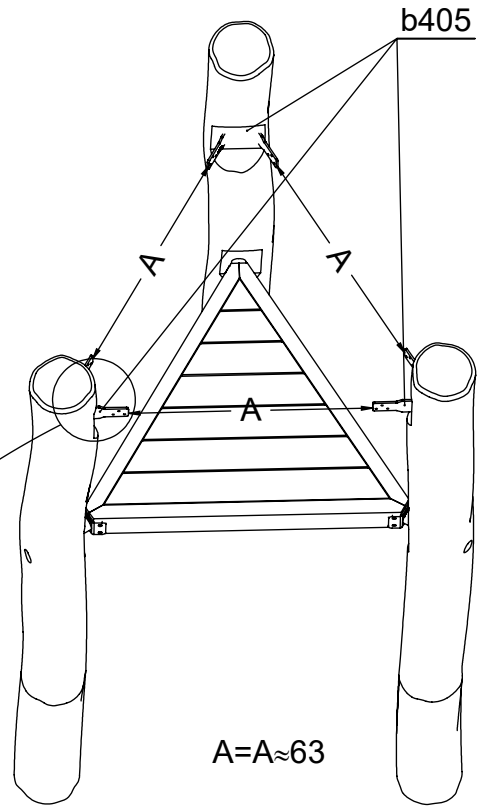
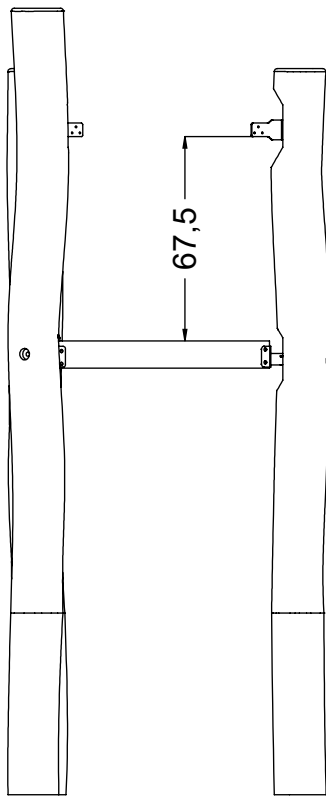


1x 12e003

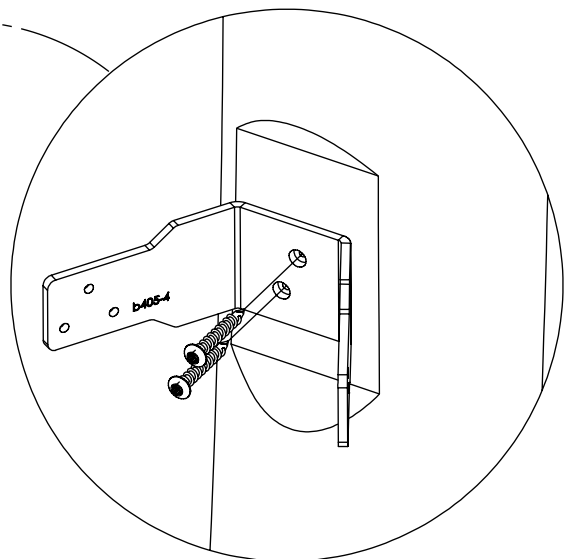
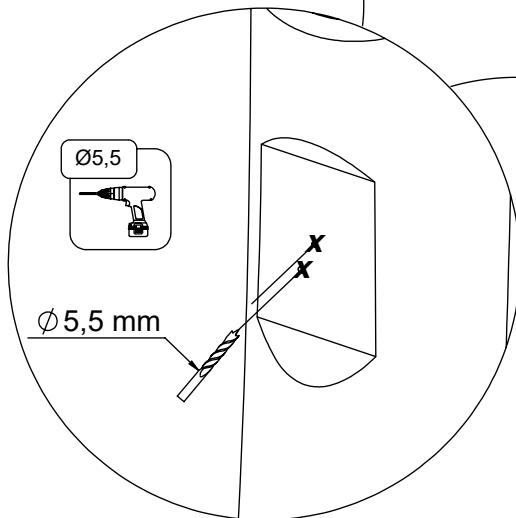
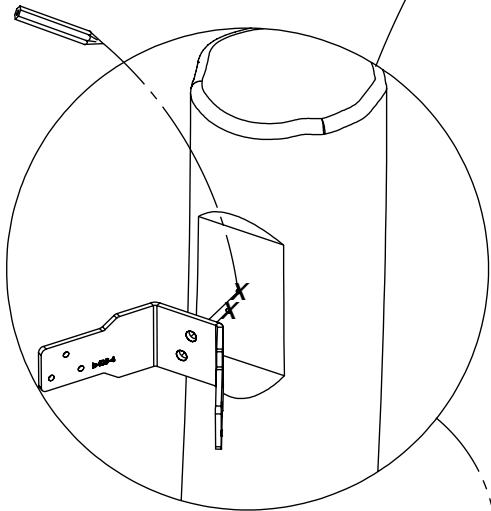


[cm]

vinci
play

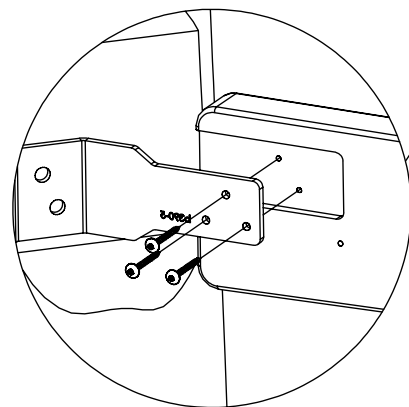
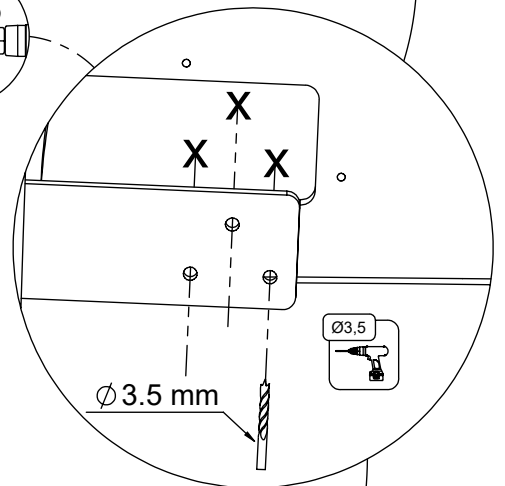
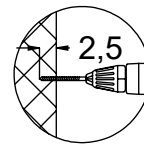
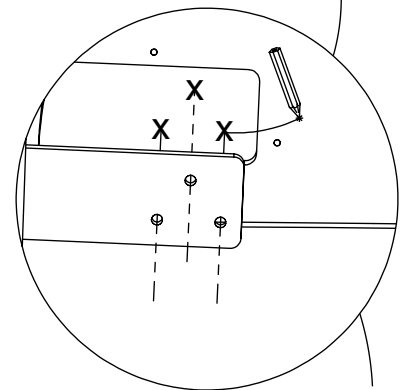
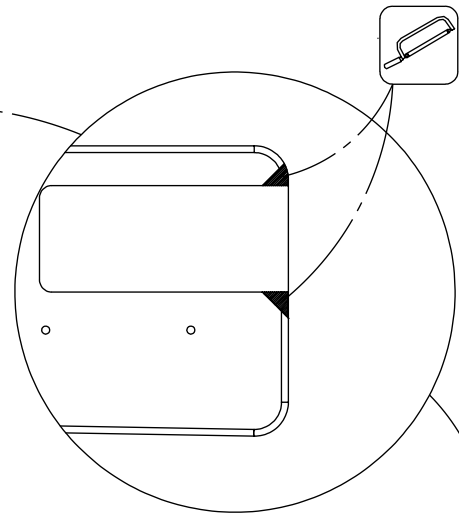
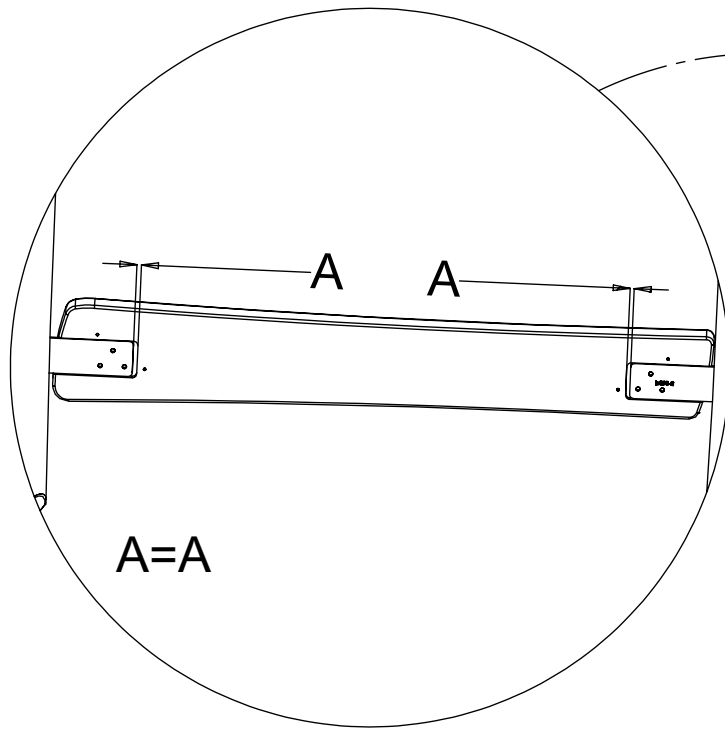


A=A≈63



6x 8x50sxi

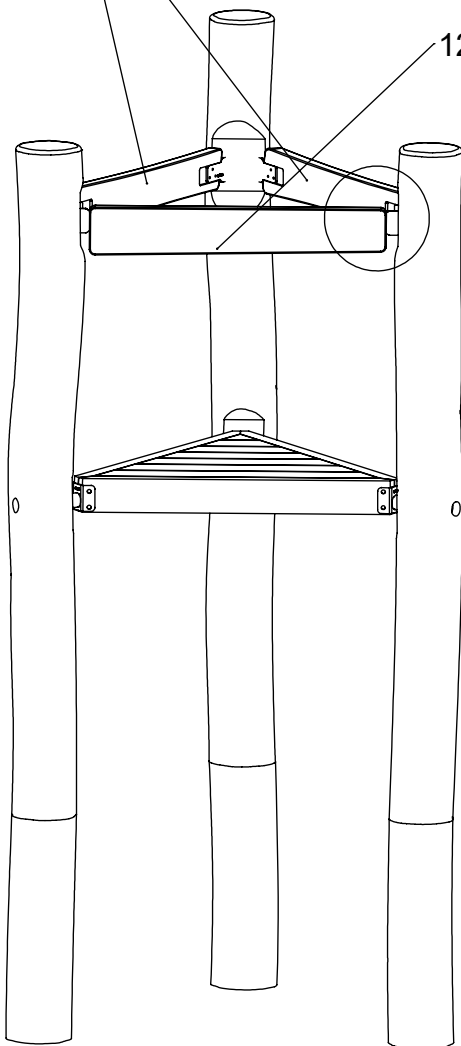
vinci
play



18x 5x30sxs

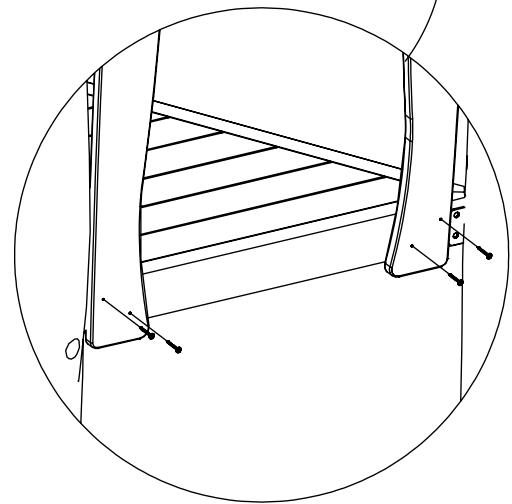
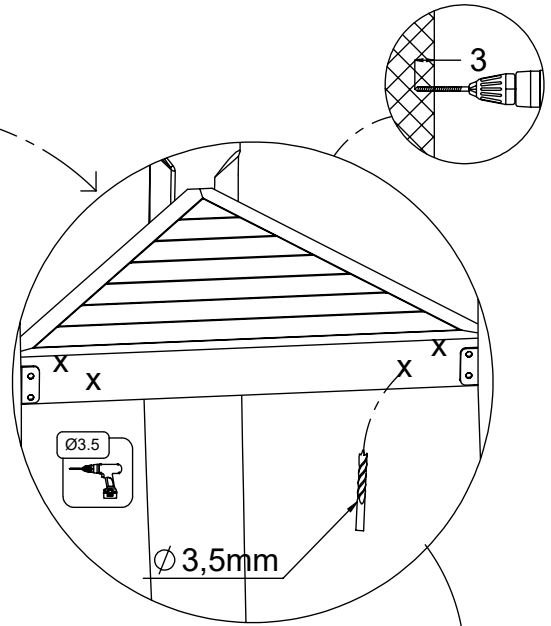
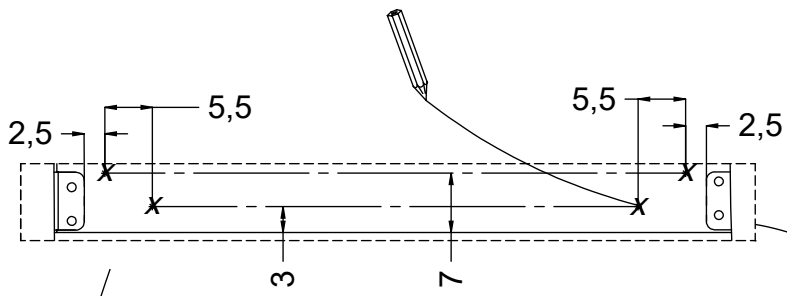
2x 128168

128107

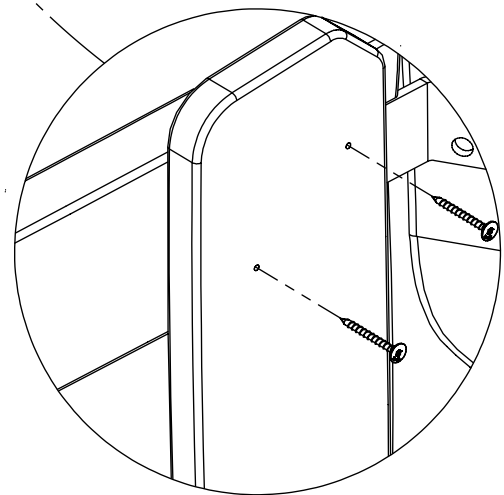


[cm]

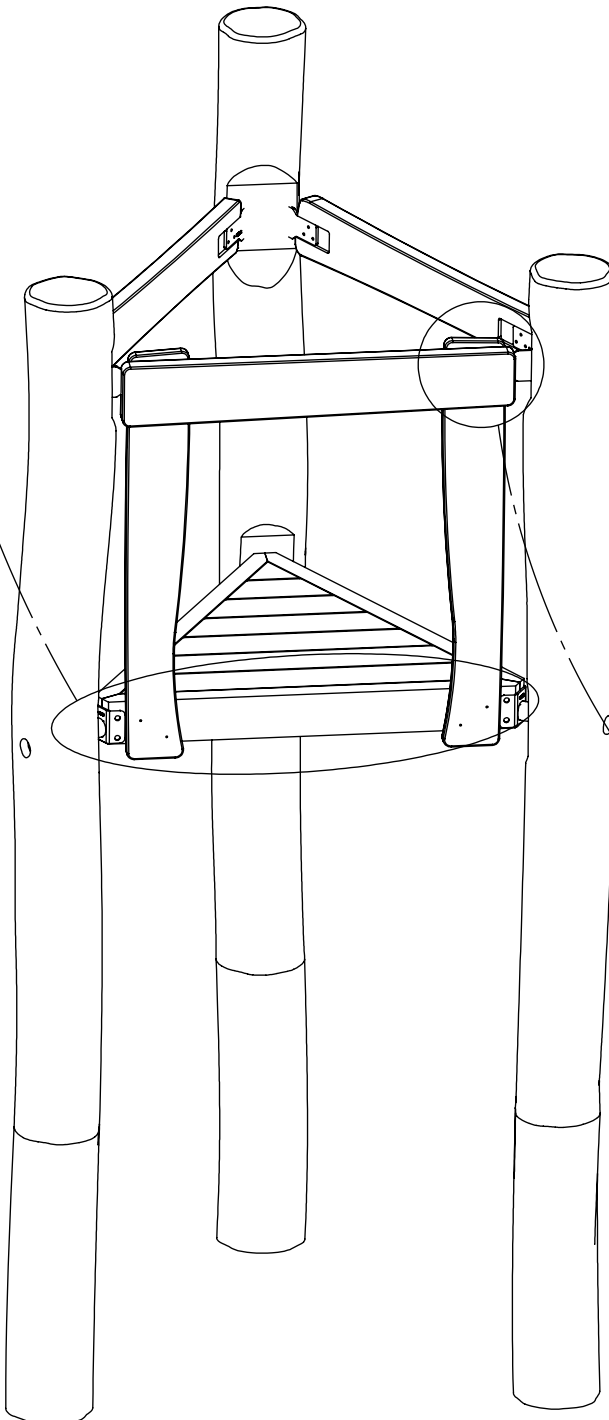
vinci
play



4x 5x50sxs

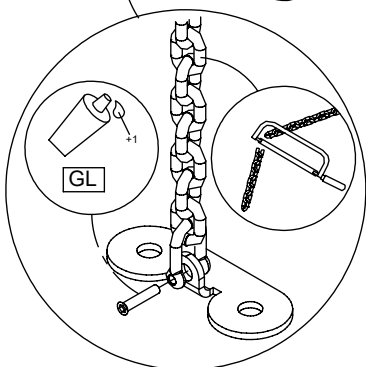
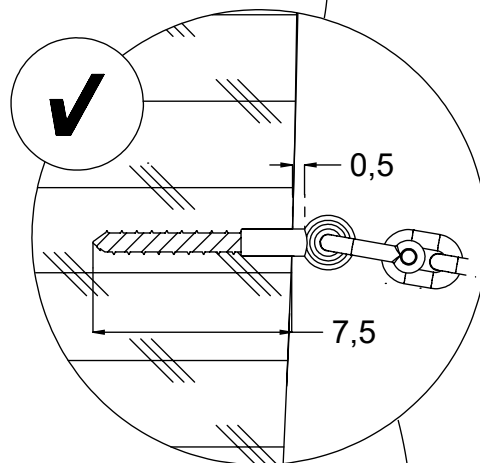
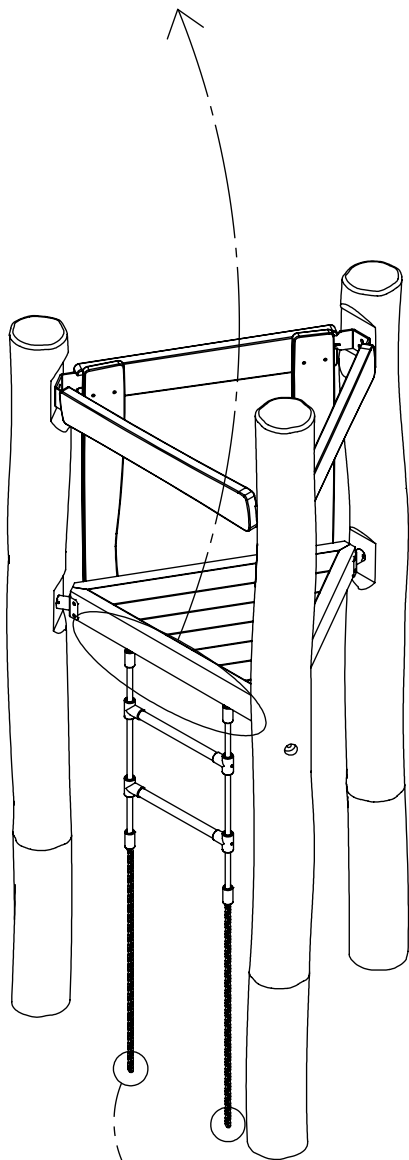
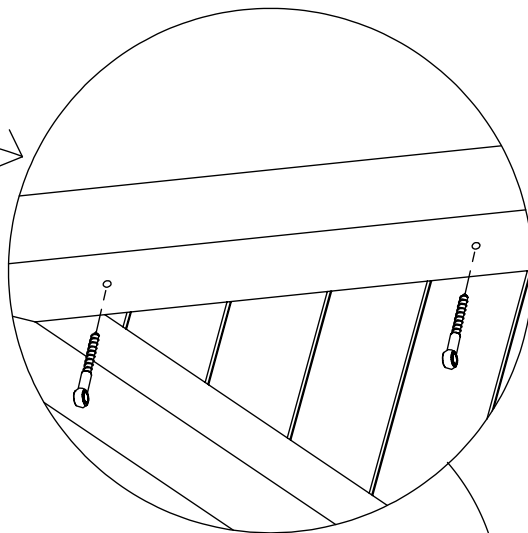
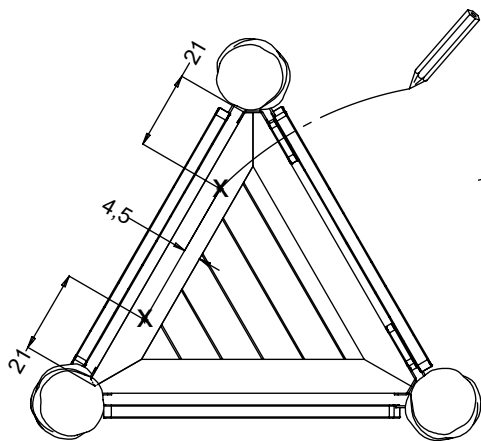


4x 5x50sxs

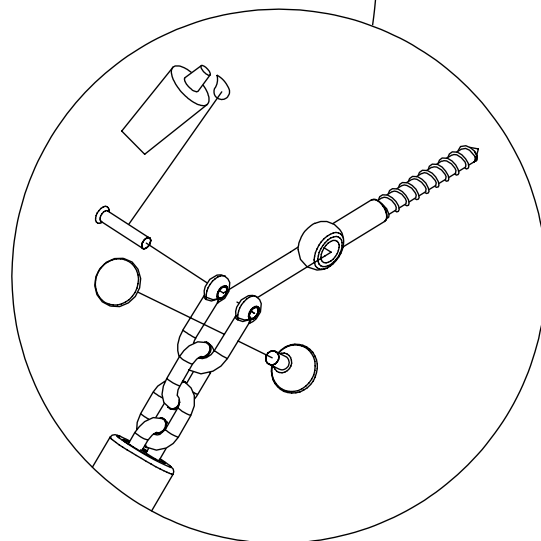


[cm]

vinci
play



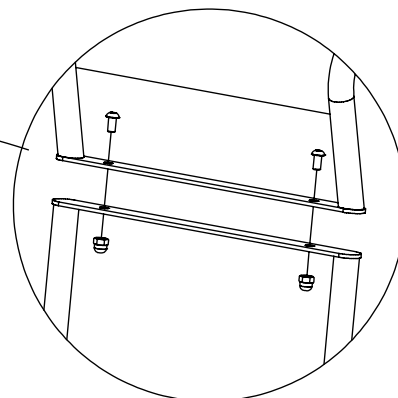
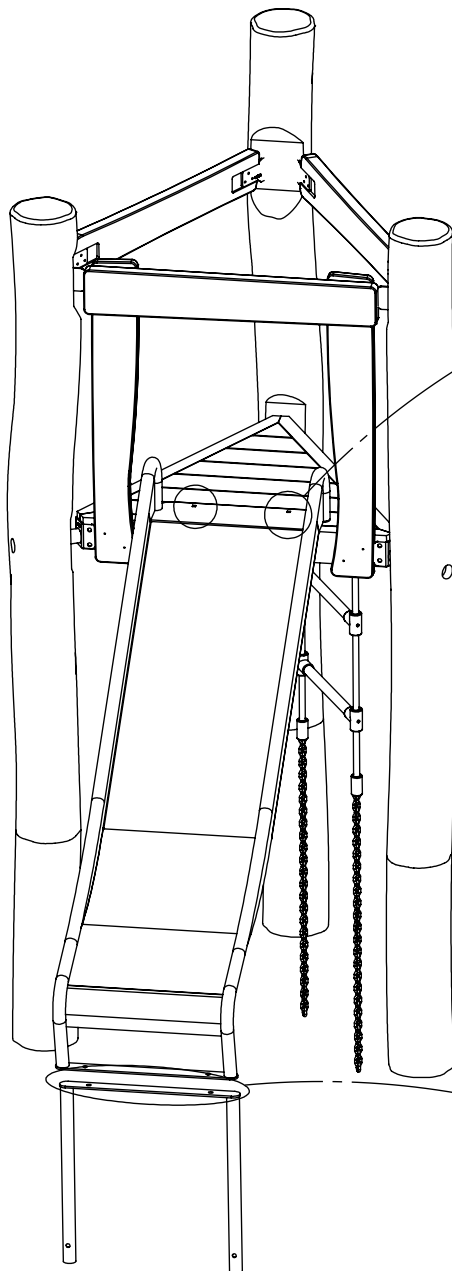
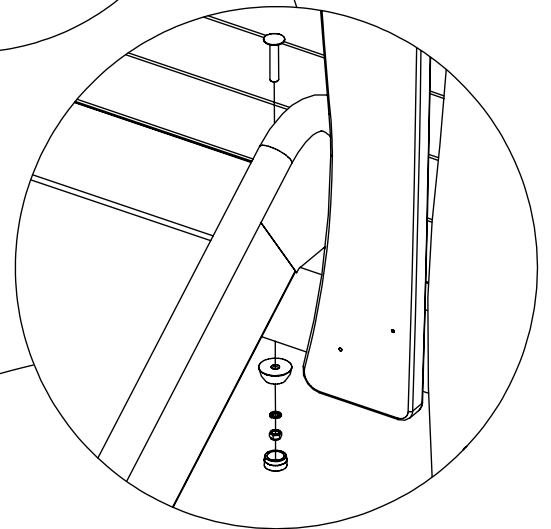
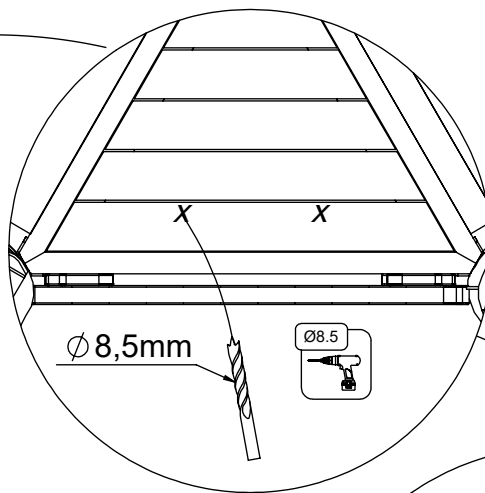
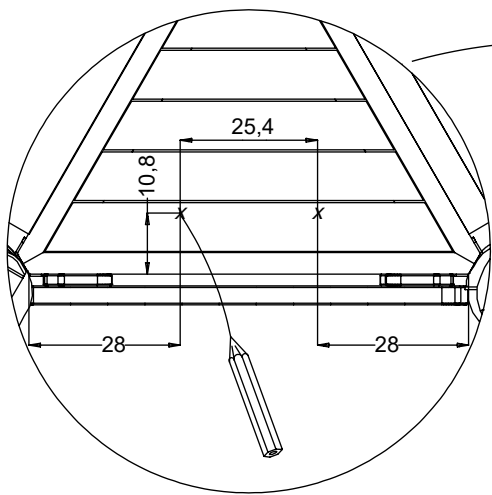
2x 12e052



1x 12e007

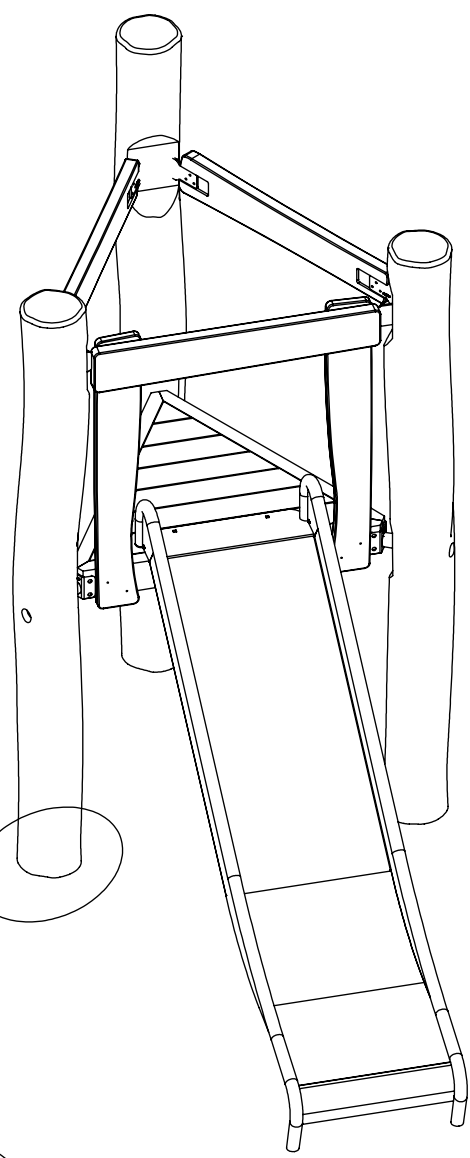
[cm]

vinci
play

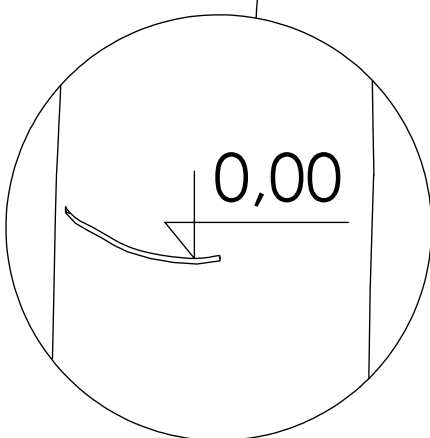


[cm]

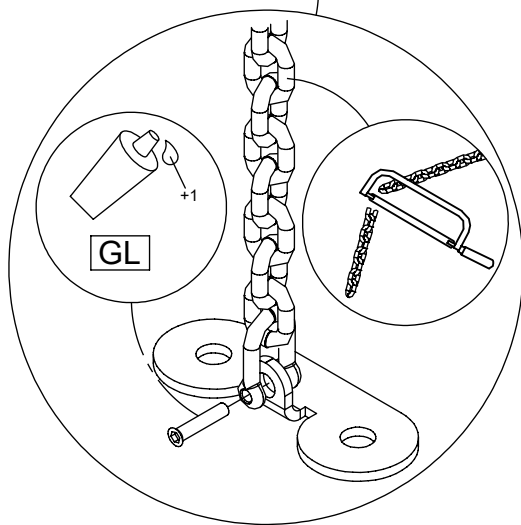
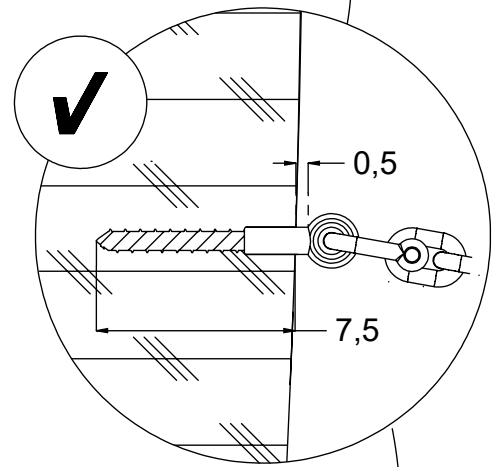
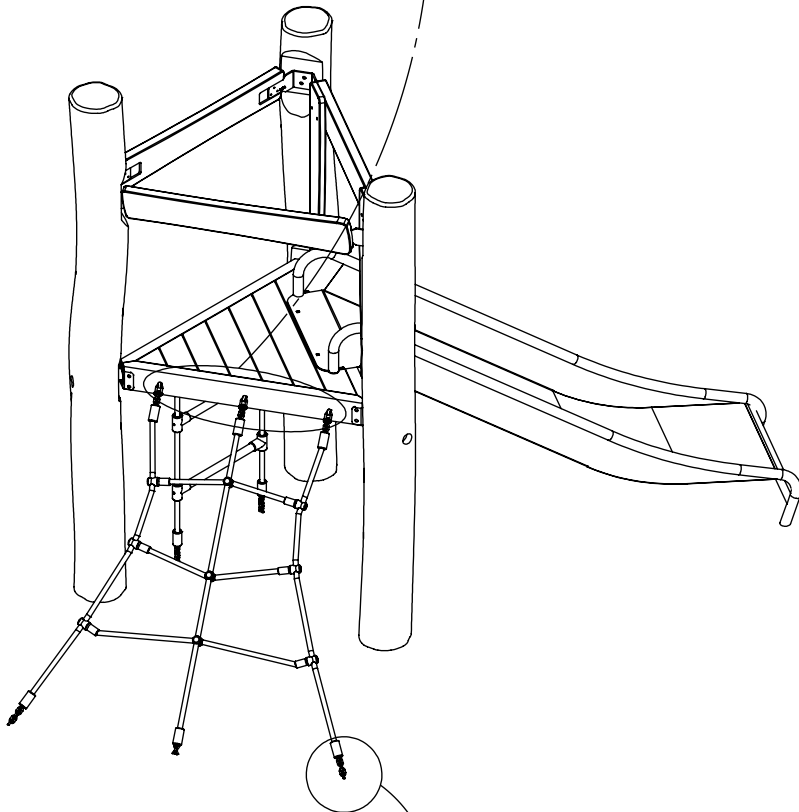
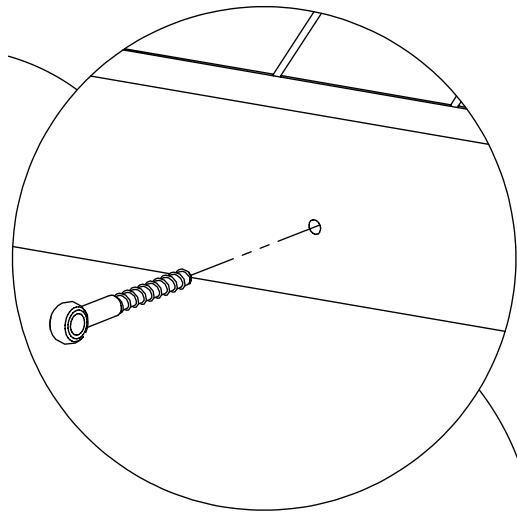
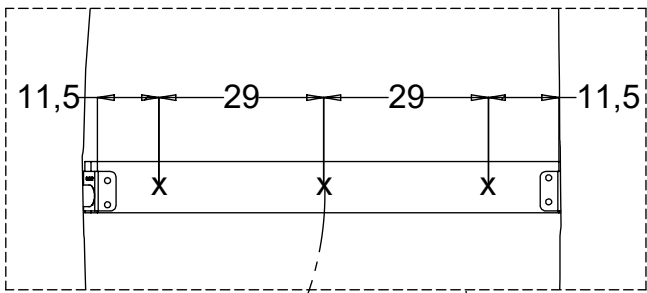
vinci
play



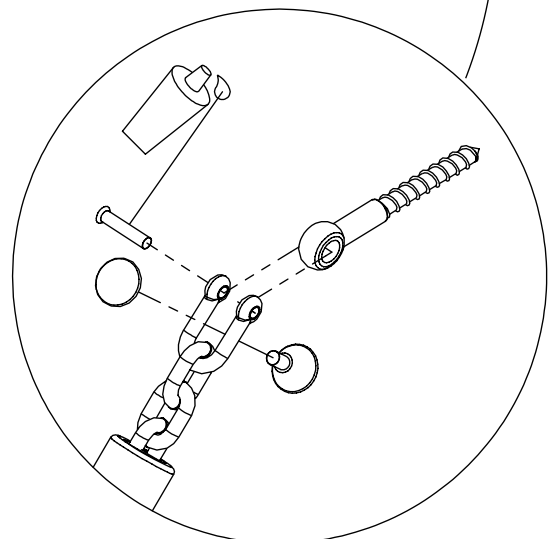
48h

A small icon of a concrete mixer truck, indicating a curing time of 48 hours for the concrete base.

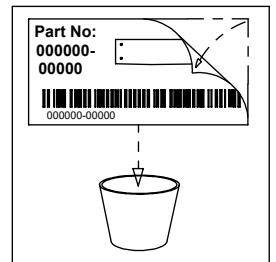
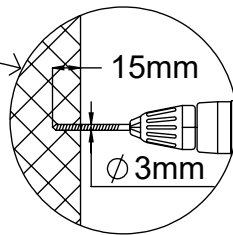
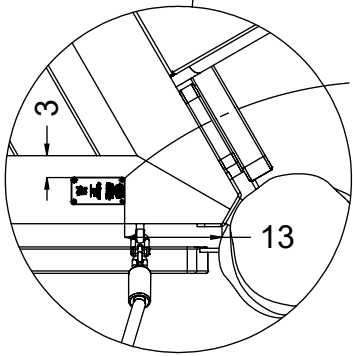
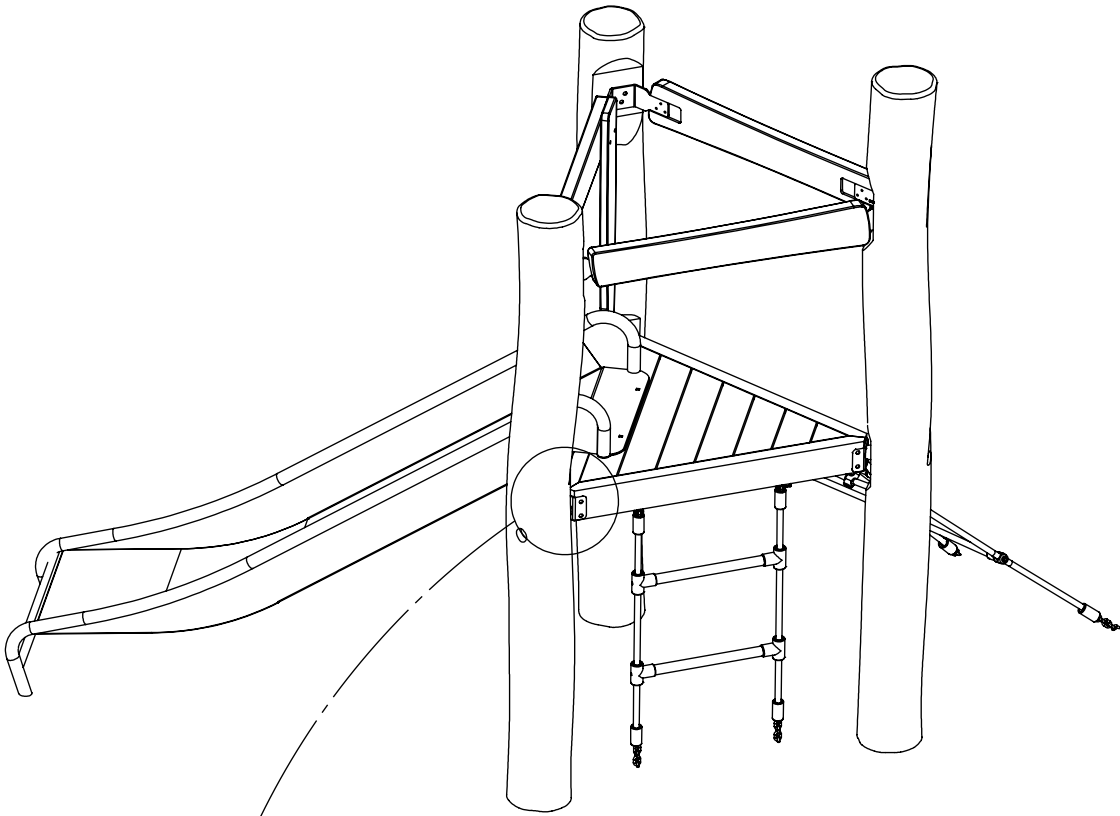
[cm]



3x 12e052



1x 12e015



[cm]

vinci play