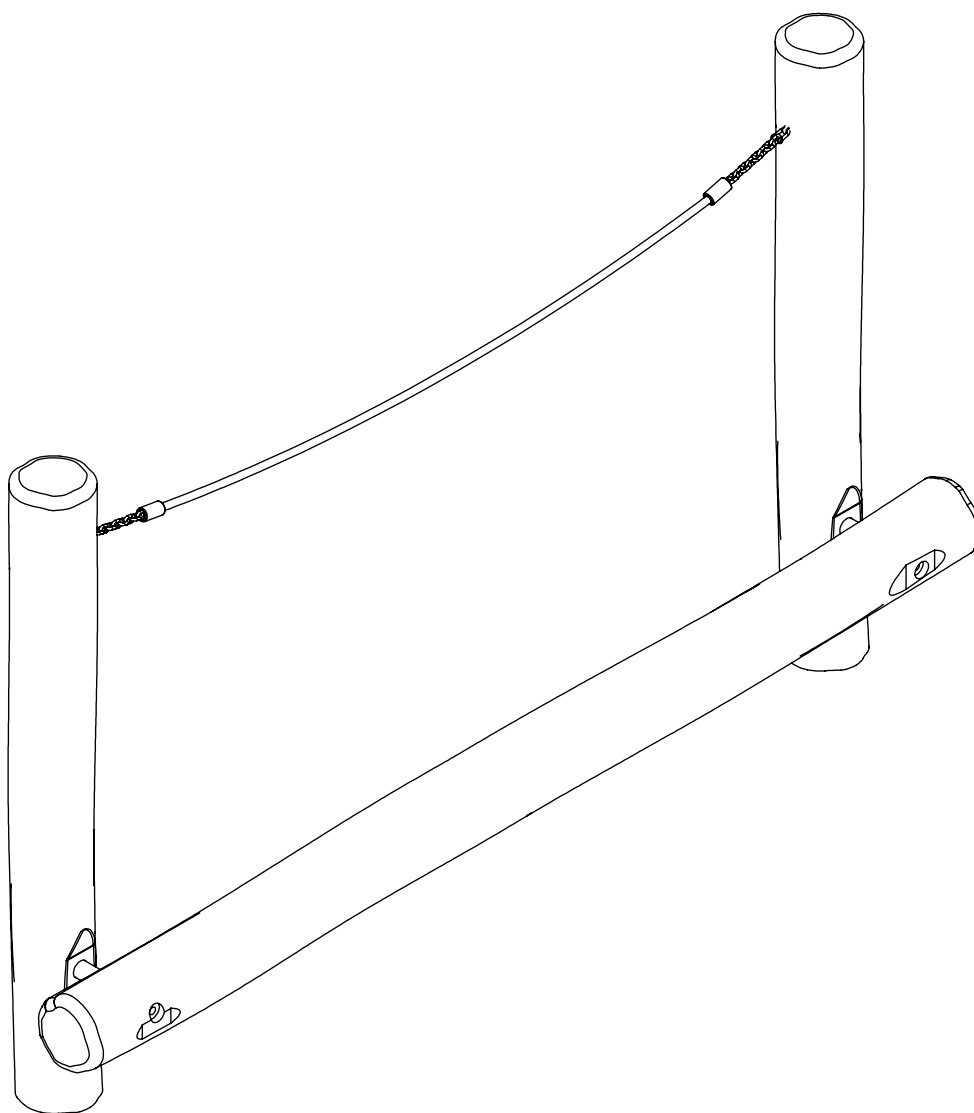
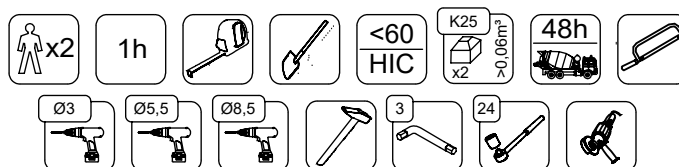


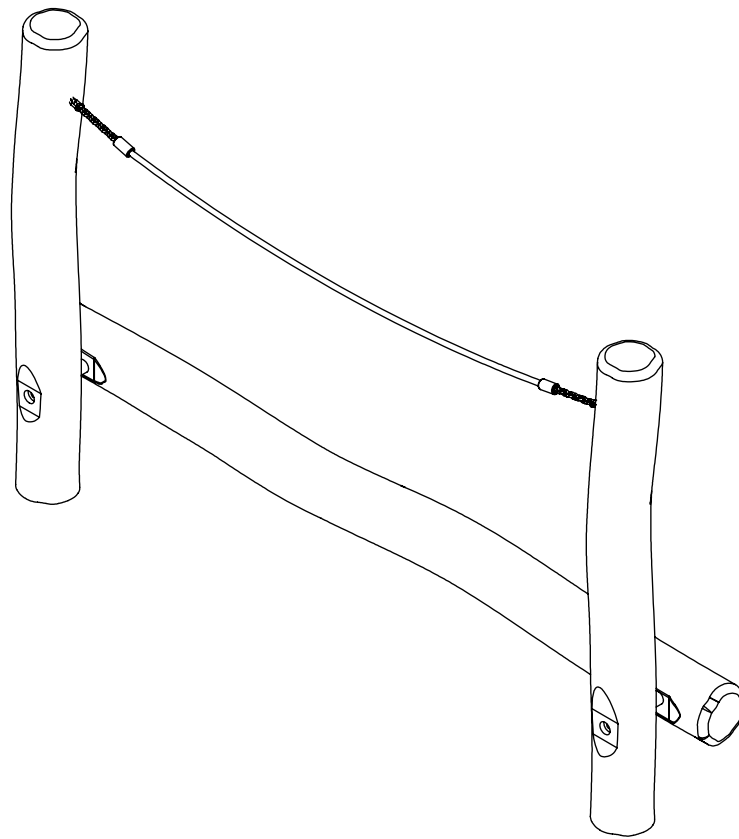
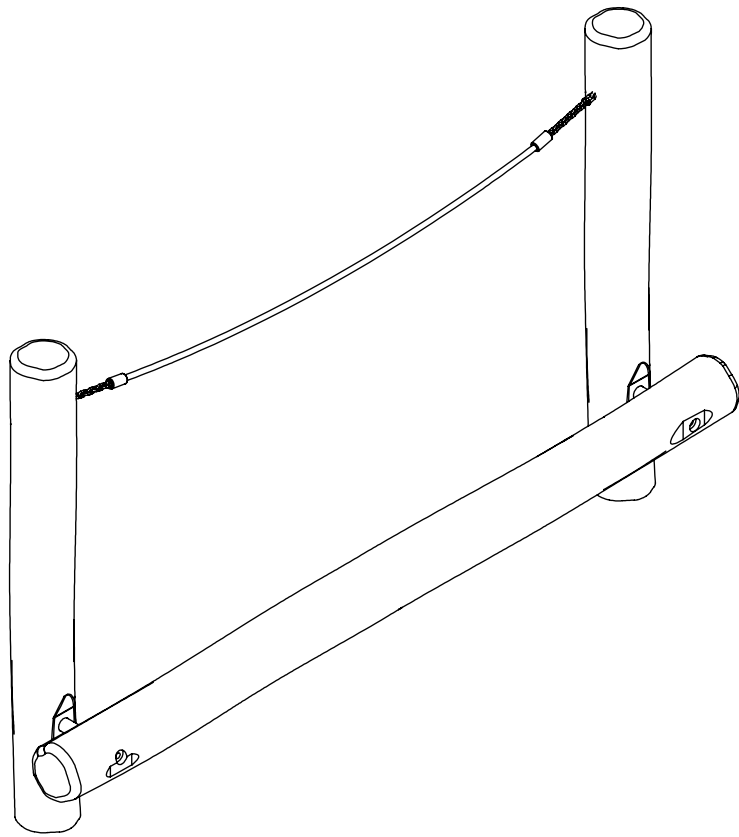
RB1271



v010
26.02.2021
A. P.
[cm]

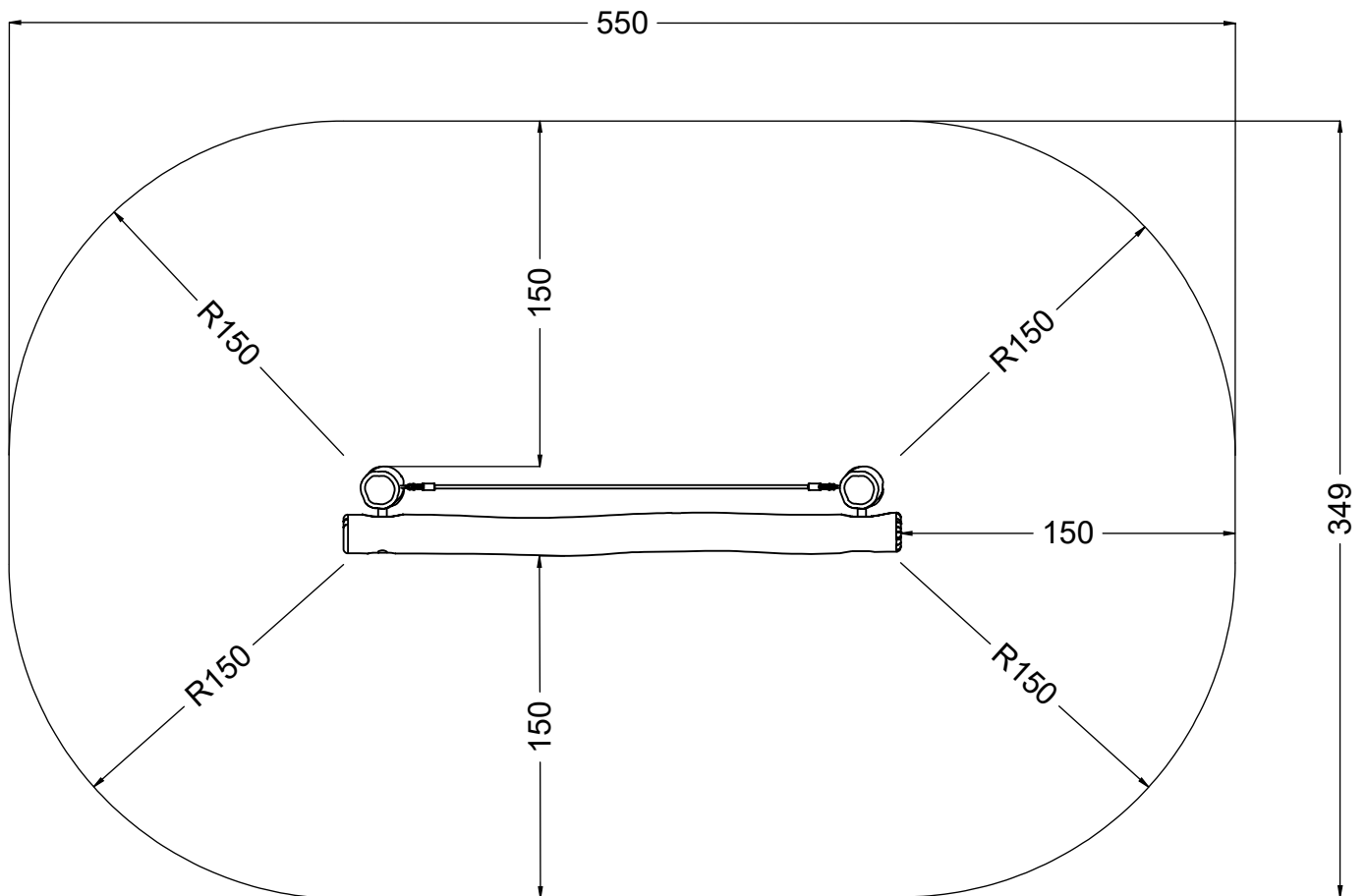
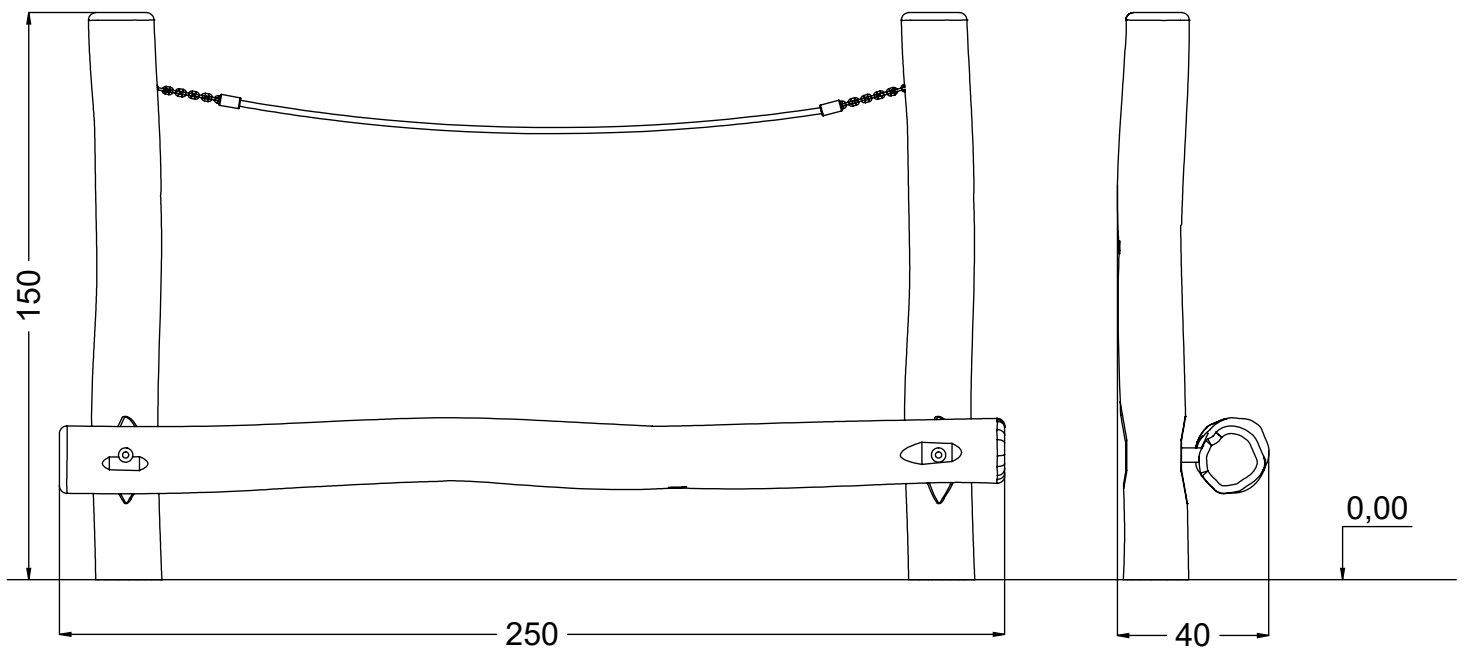


vinci
play



[cm]

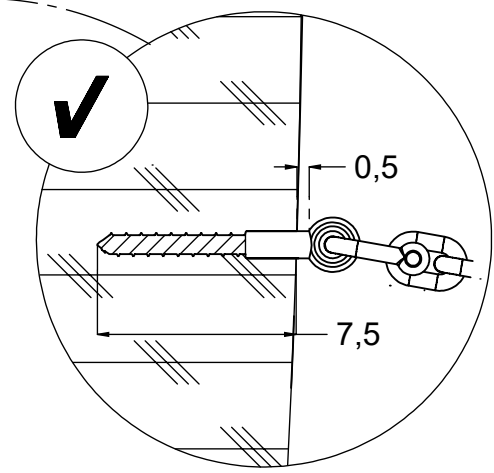
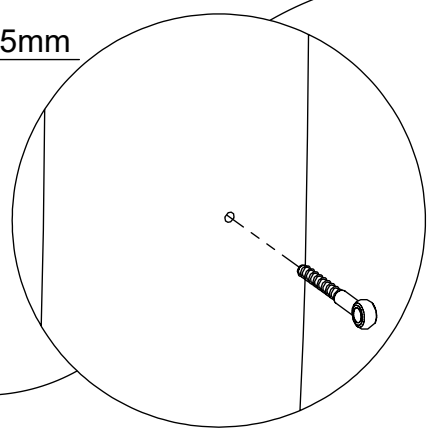
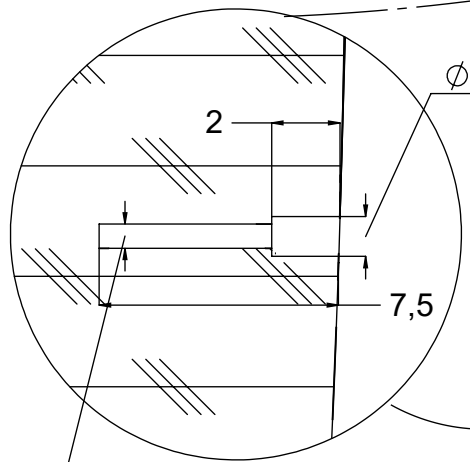
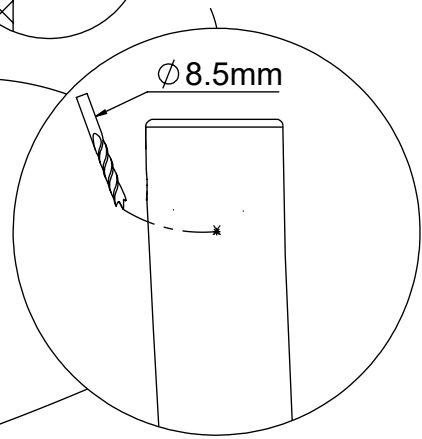
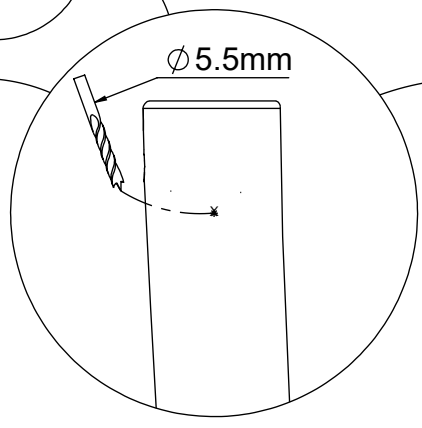
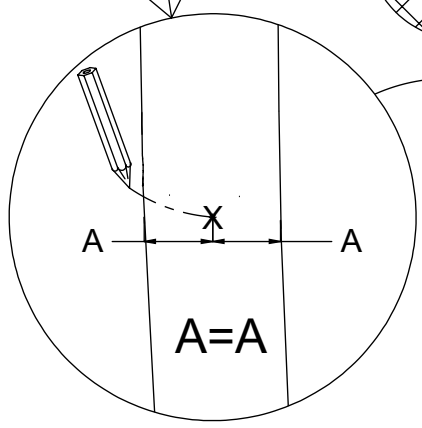
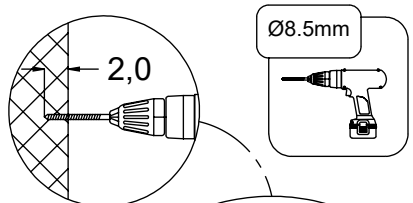
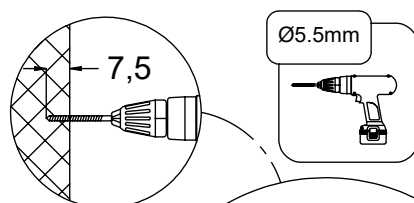
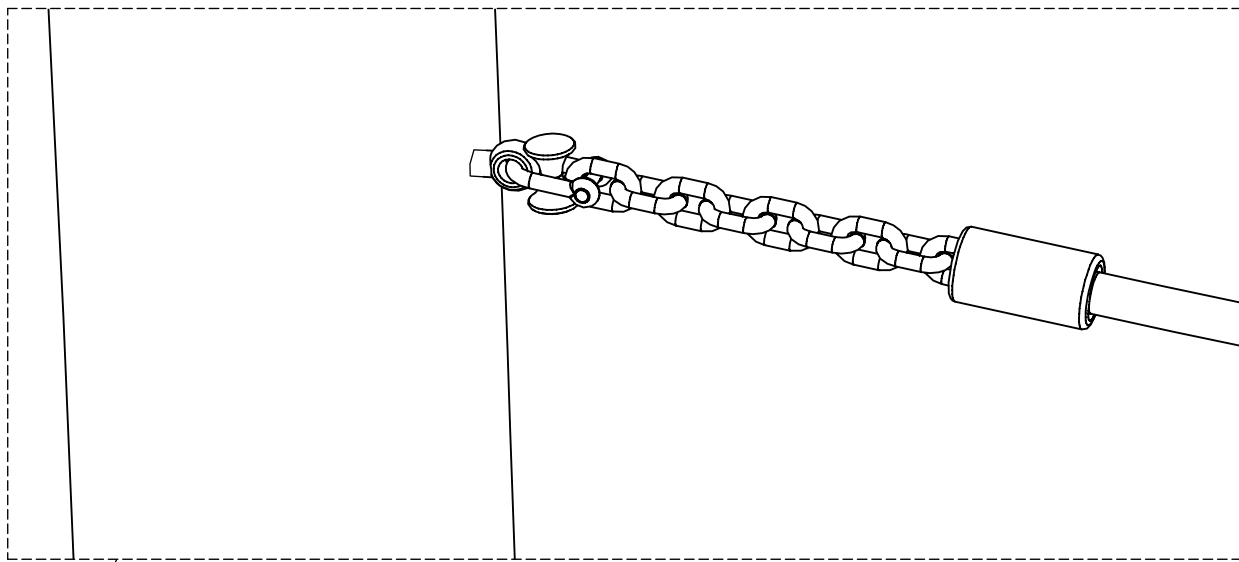
vinci
play



[cm]



vinci
play



$\text{Ø} 5.5 \text{ mm}$

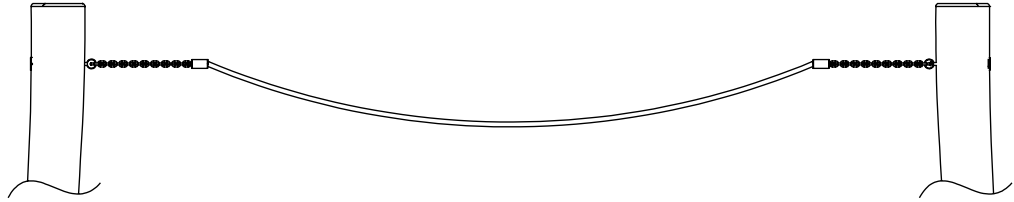
[cm]

vinci
play

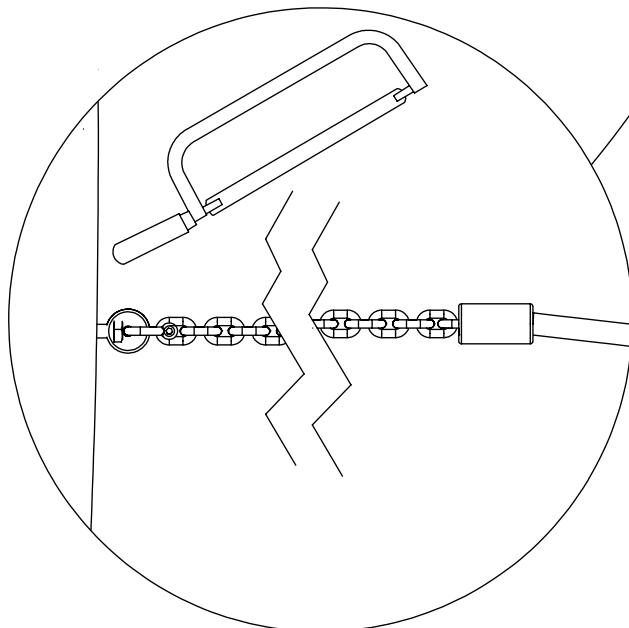
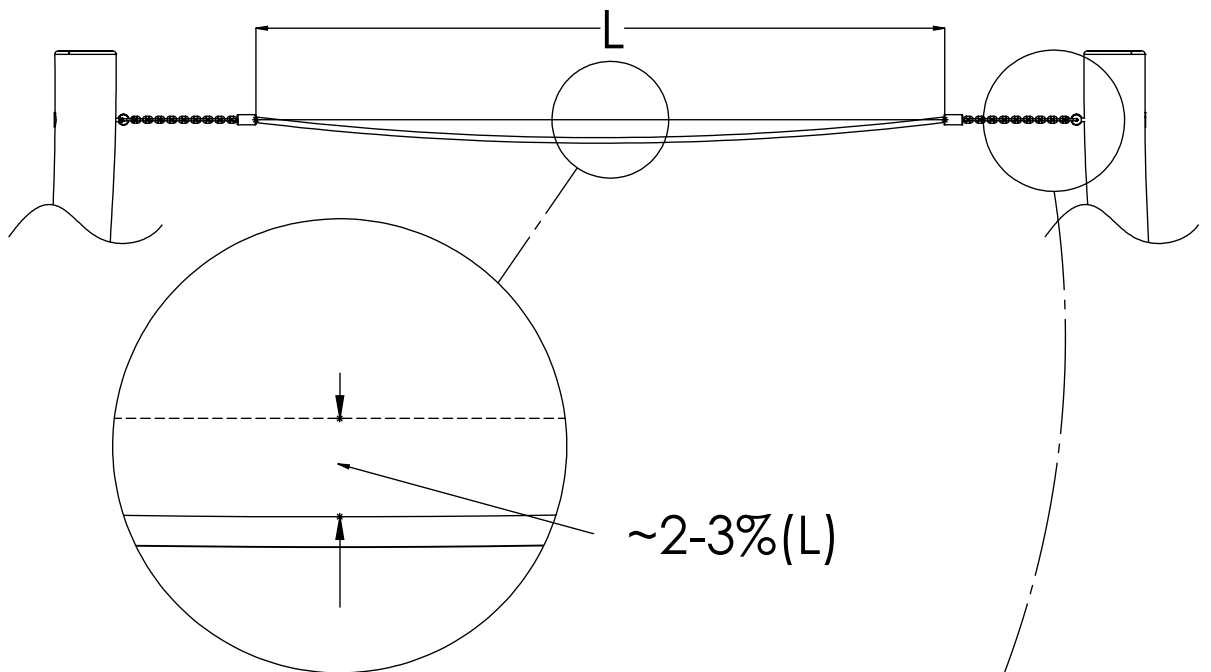
X

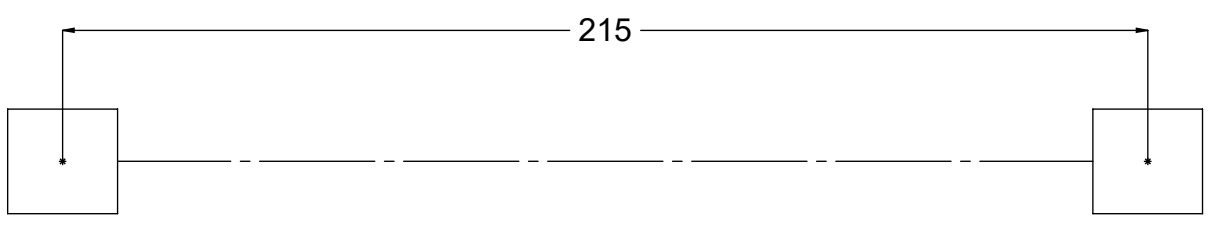
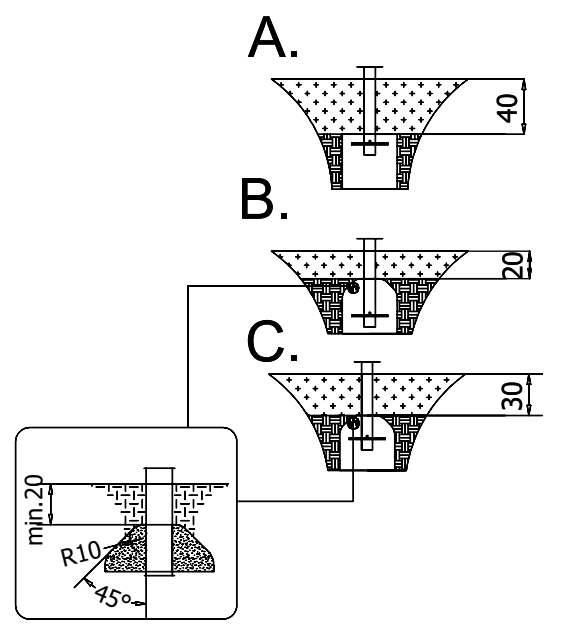
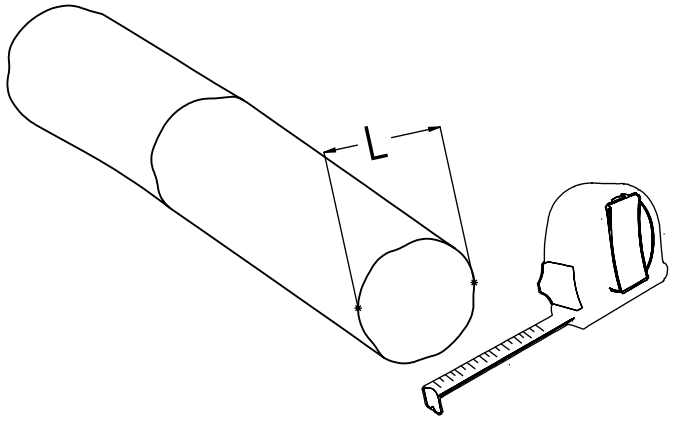
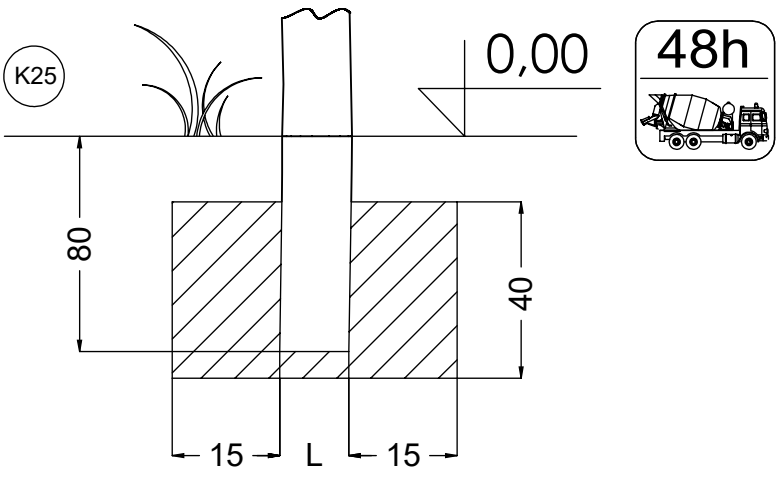


X



V





[cm]

x2
 1h

 48h
 K25
 x2 >0,06m³

vinci
play



127112
x1



127113
x1

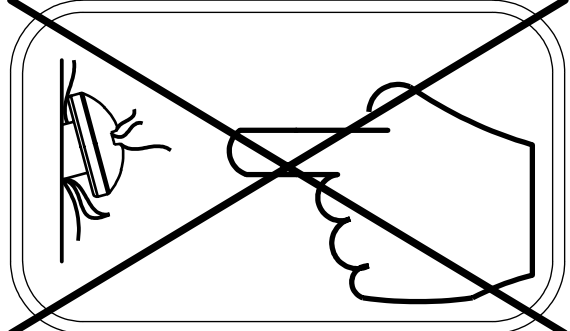
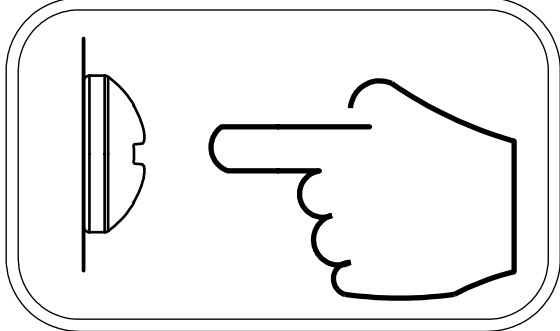
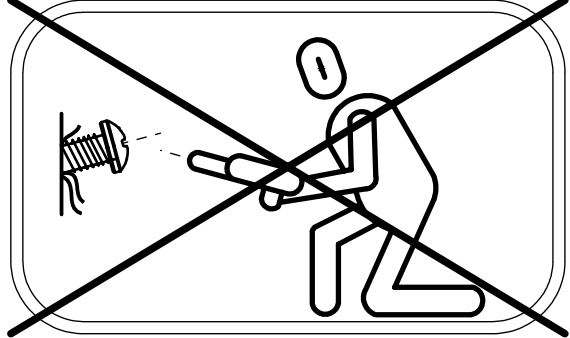


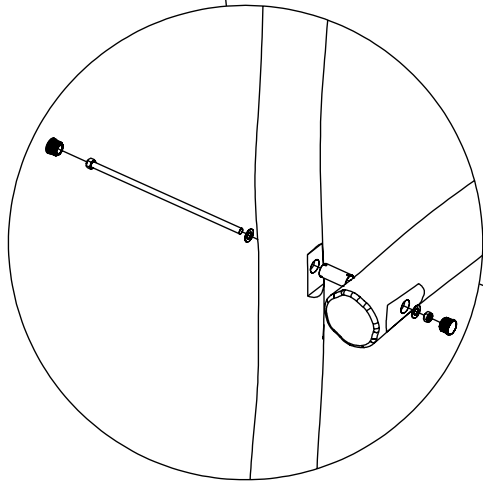
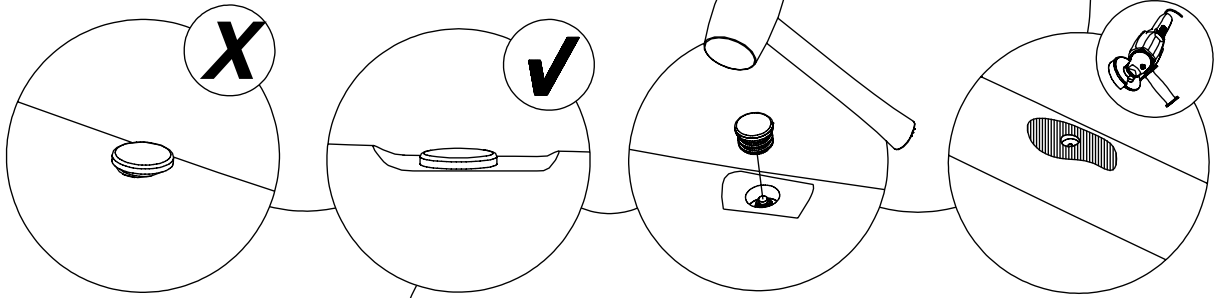
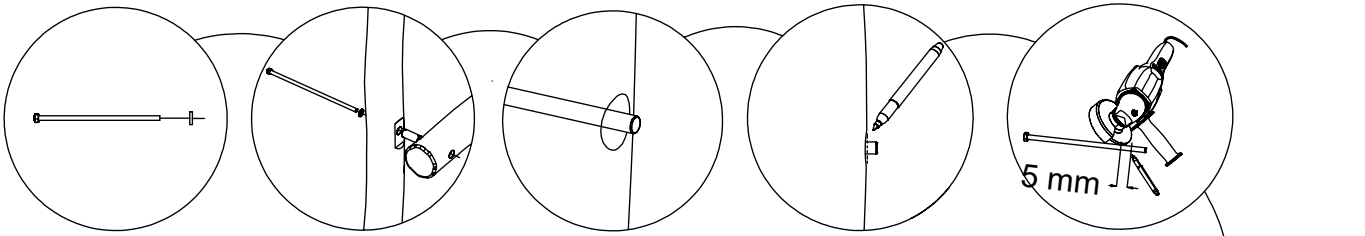
127114
x1



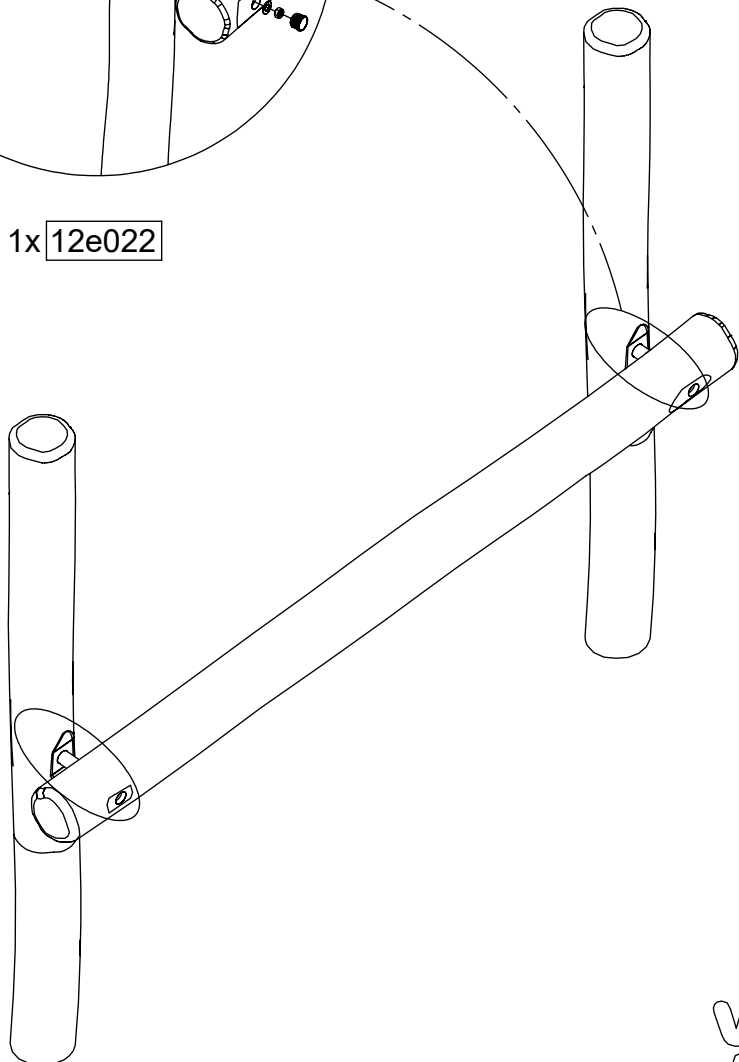
125103
x1

1x	12e007
1x	12e022
1x	V001



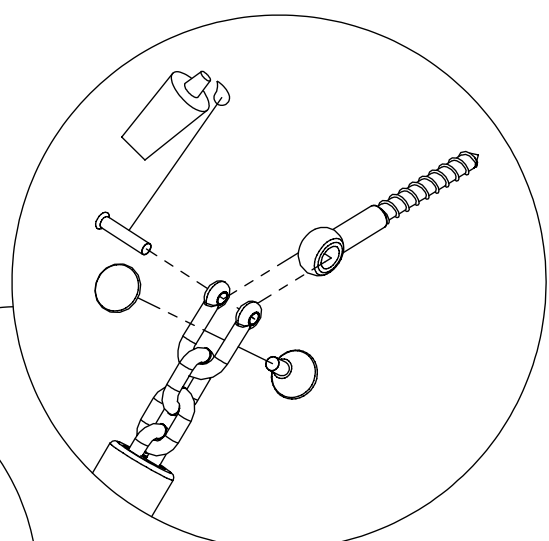
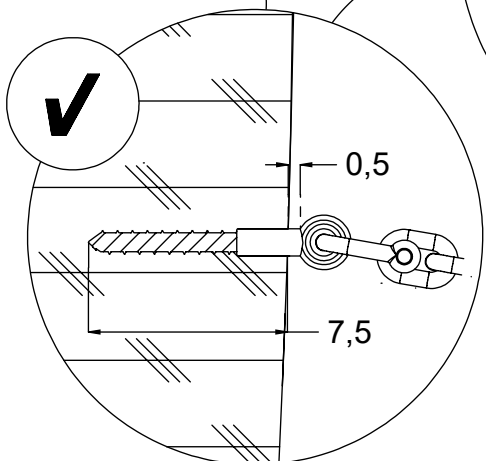
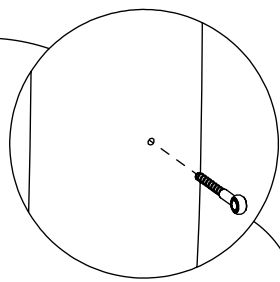
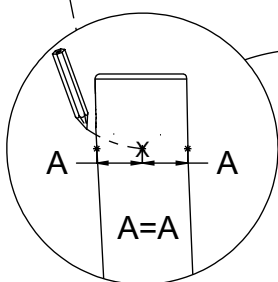
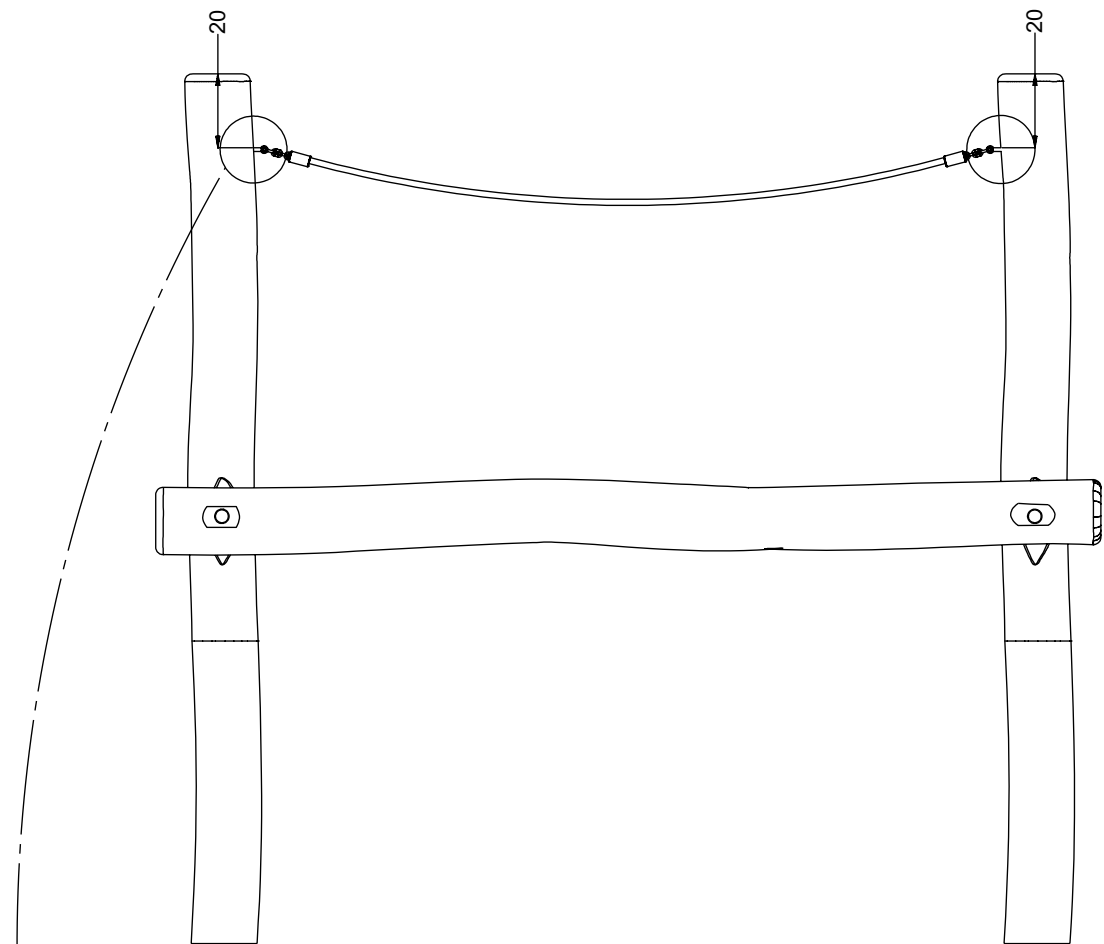


1x 12e022



[cm]

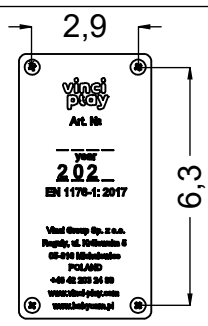
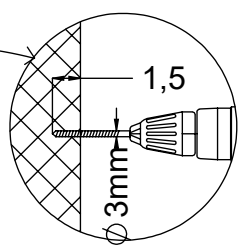
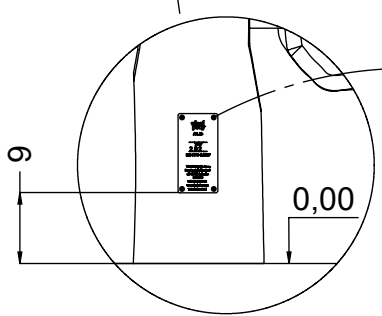
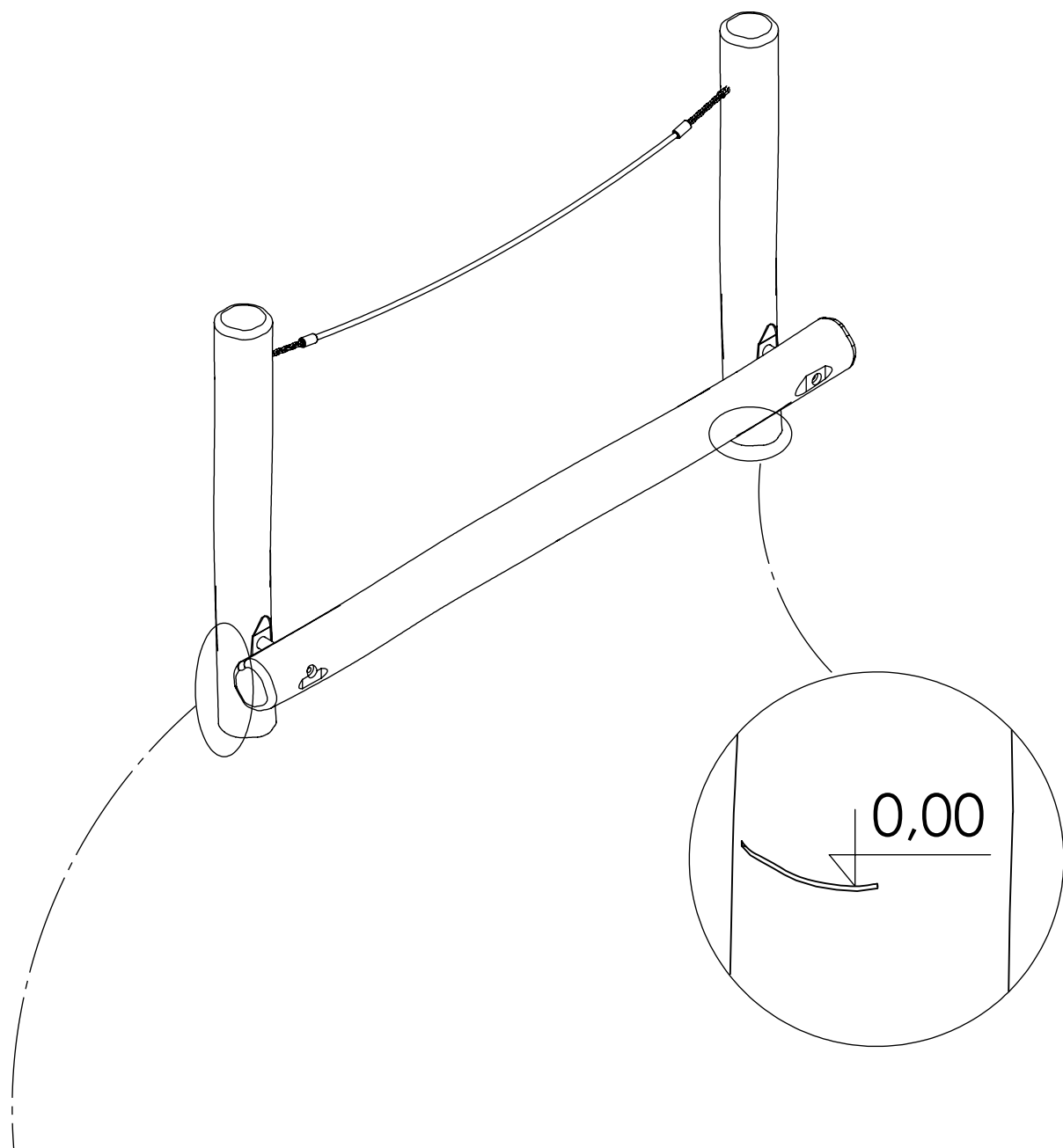
vinci
play



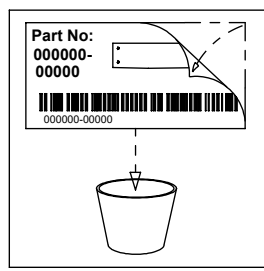
1x 12e007

[cm]

vinci
play



V001



[cm]

vinci play