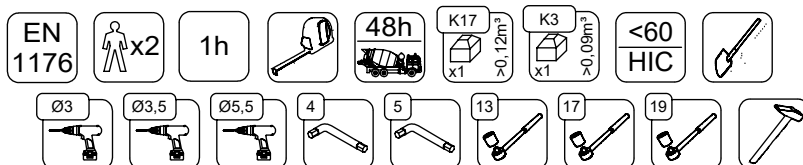
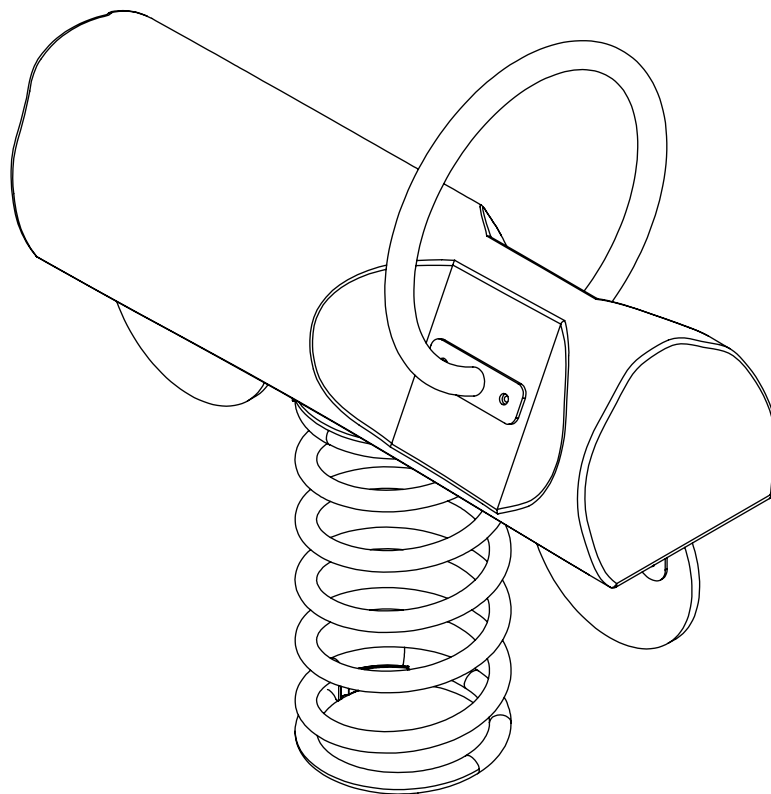
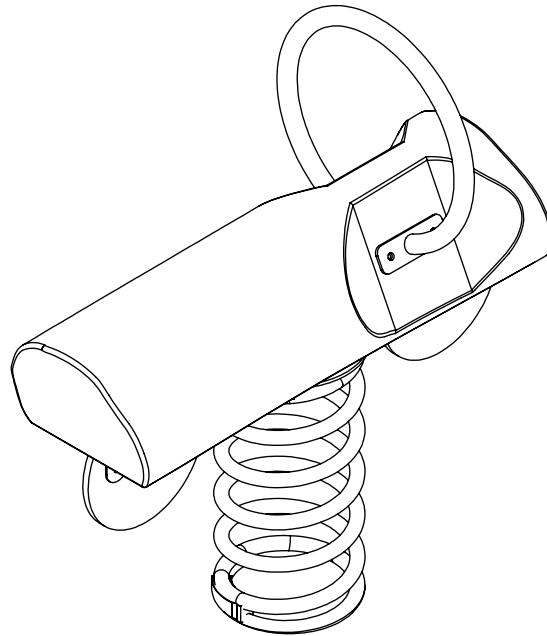
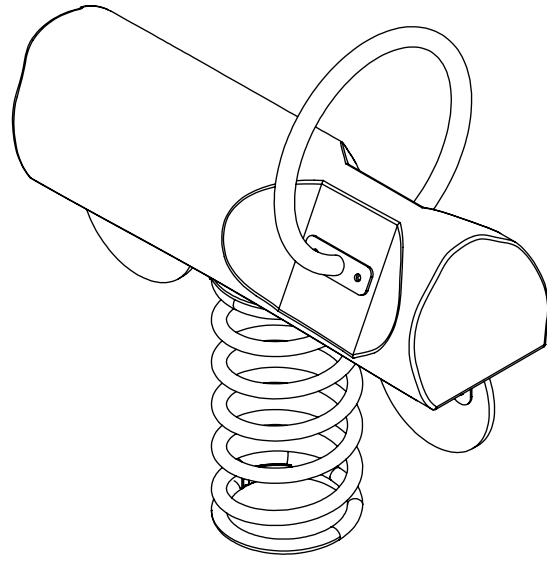


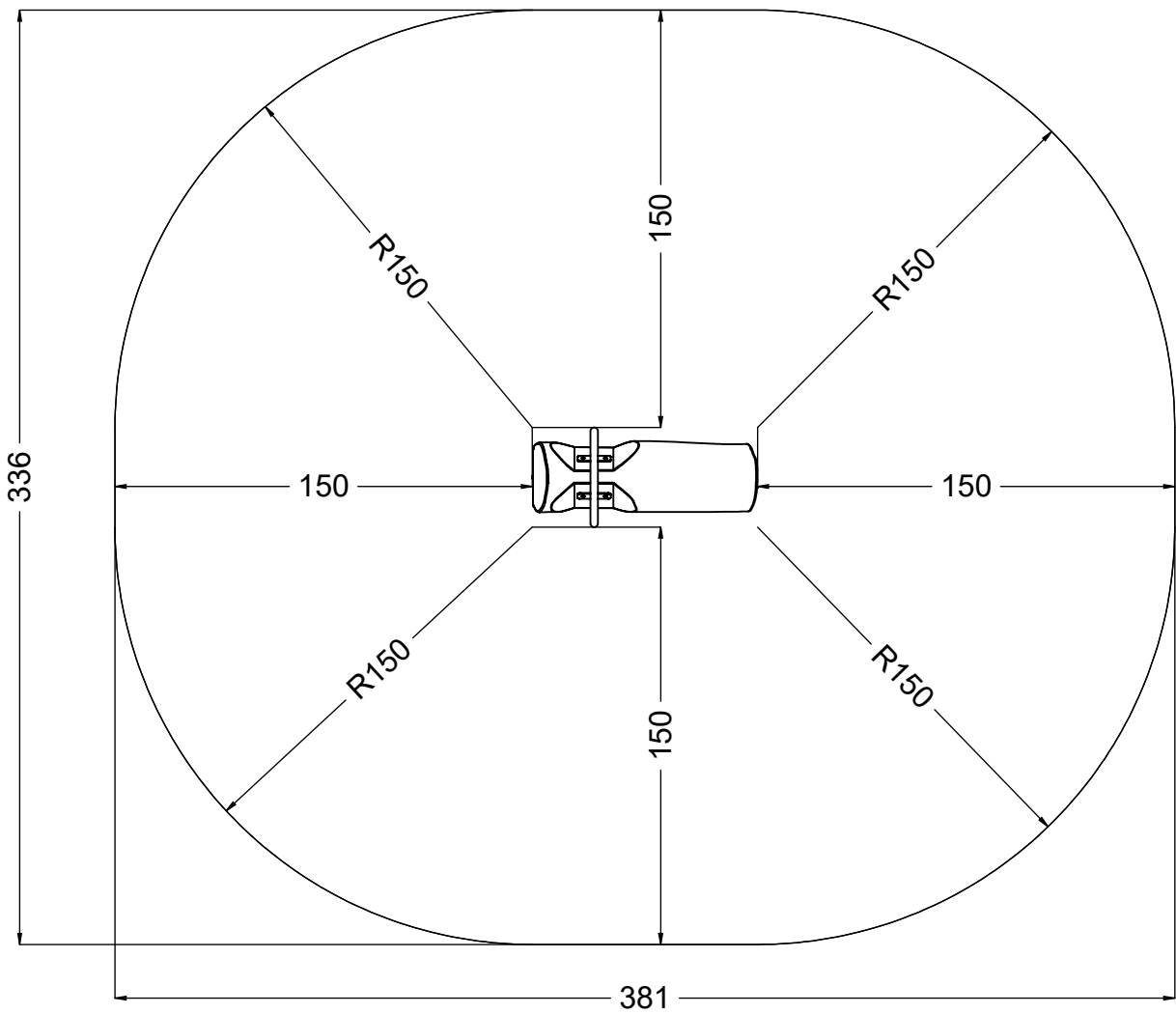
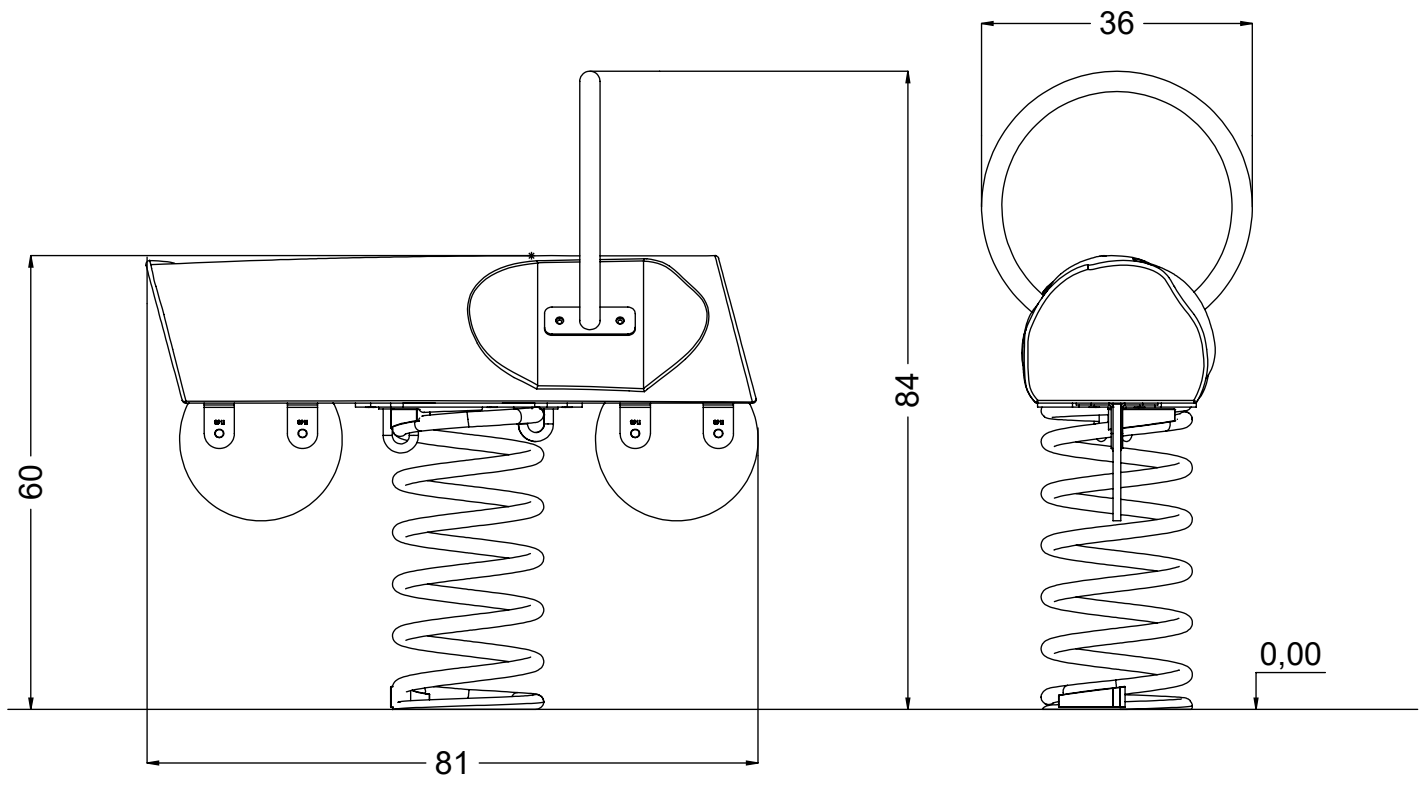
RB1362



v010
15.10.2021
D. P.
[cm]

vinci
play



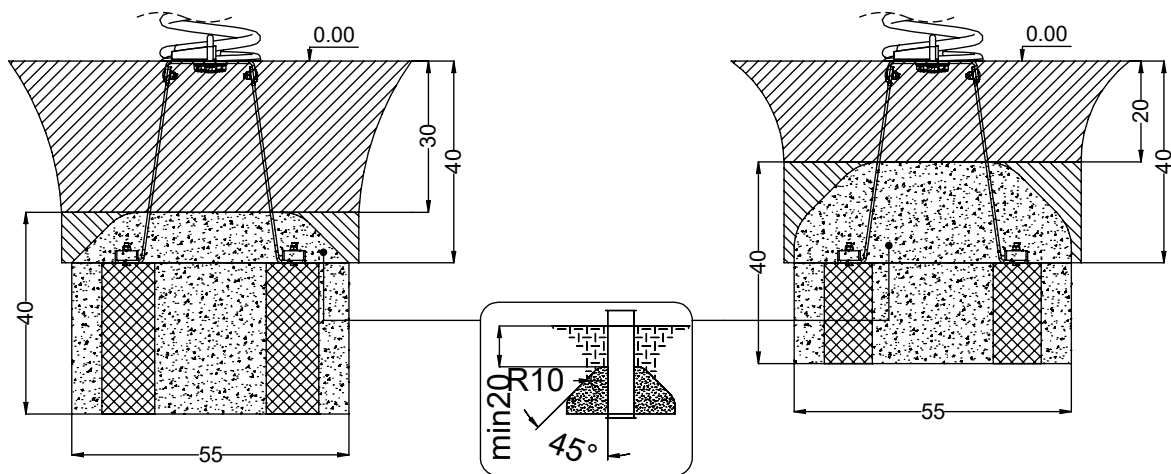


[cm]






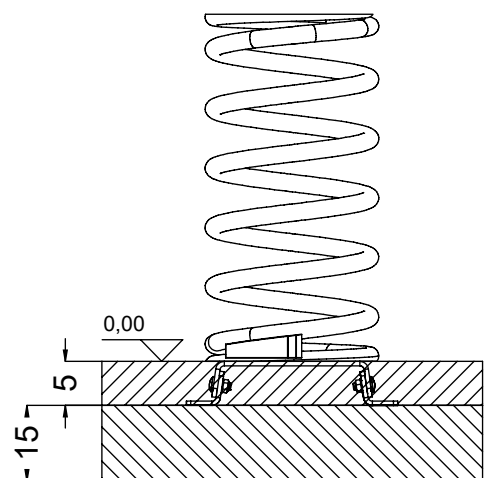
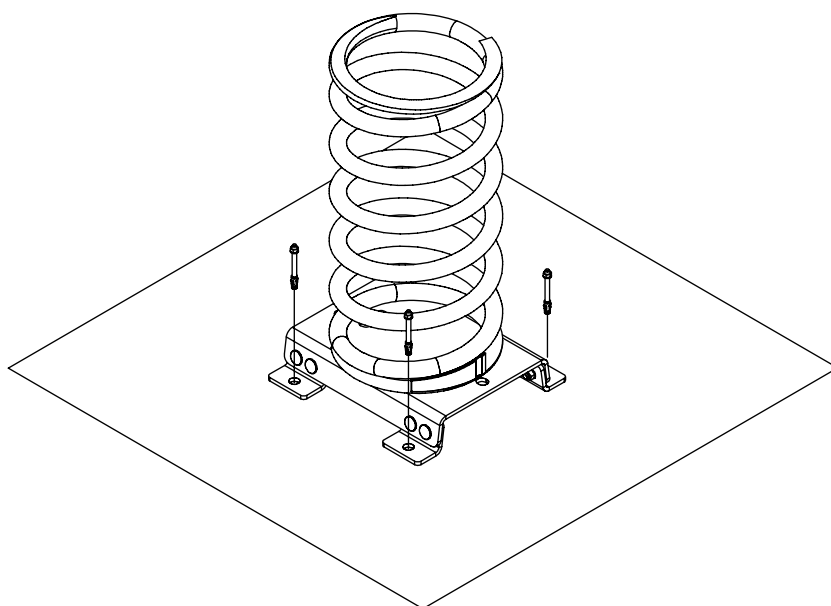
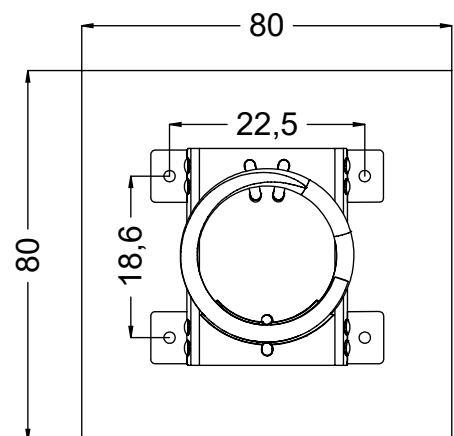
vinci
play

K17



K3

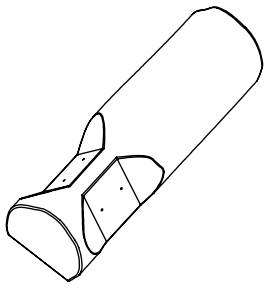
	K3
M10x120 x4	
NOT INCLUDED	



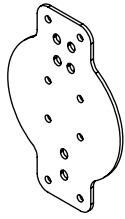
[cm]

 x2	1h			K17 x1 >0,12m ²	48h 	K3 x1 >0,09m ²
--	----	---	---	----------------------------------	--	---------------------------------

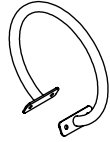
vinci
play



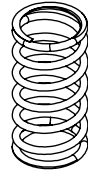
127444
x1



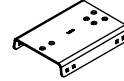
B393
x1



122105
x1



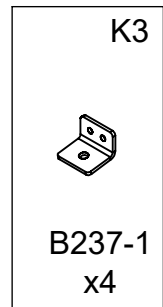
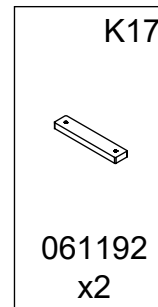
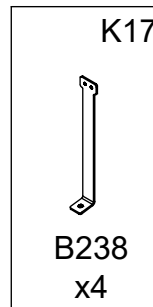
996171
x1



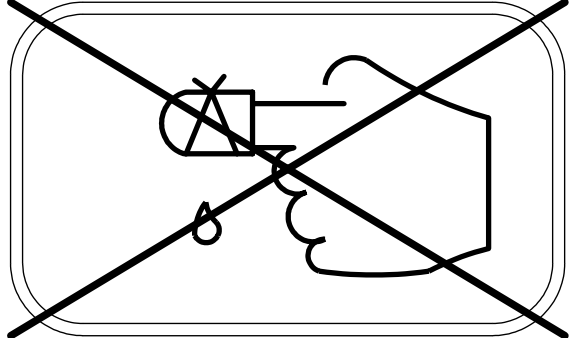
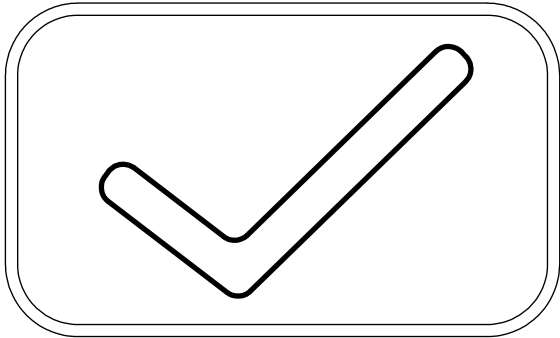
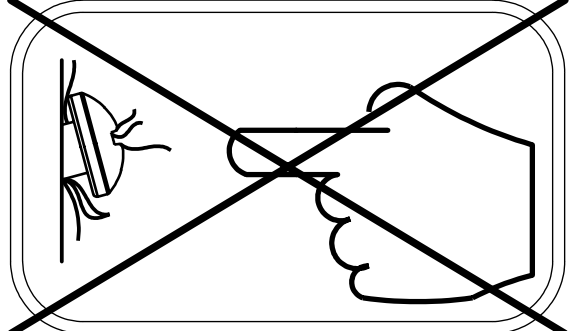
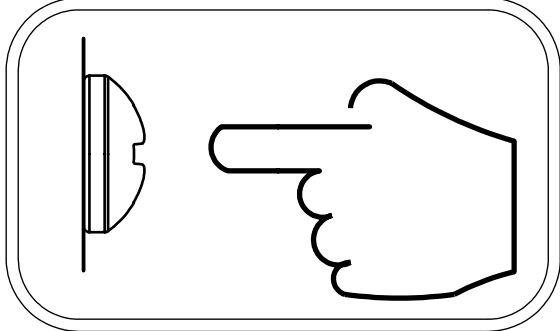
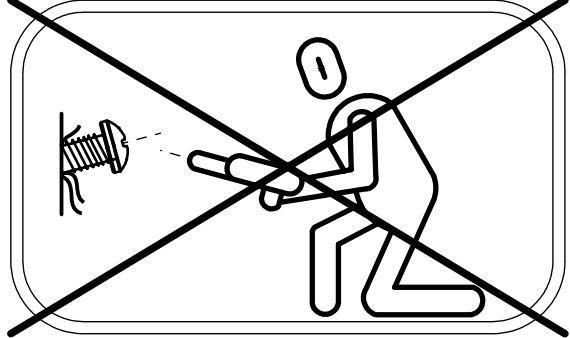
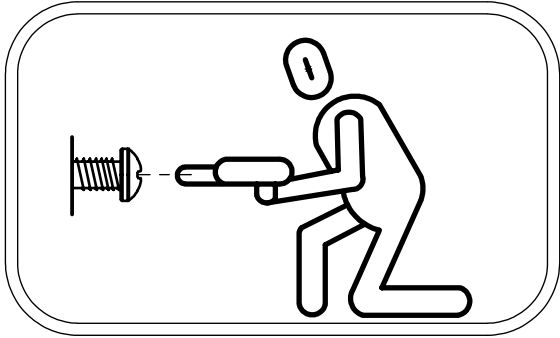
B239
x1



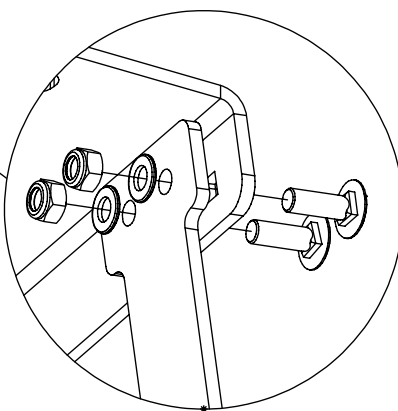
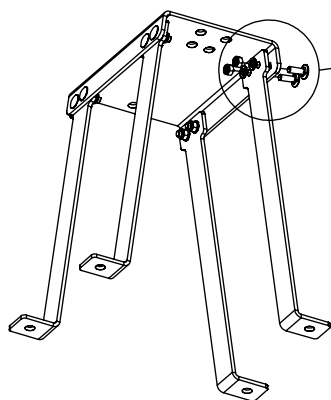
126110
x2



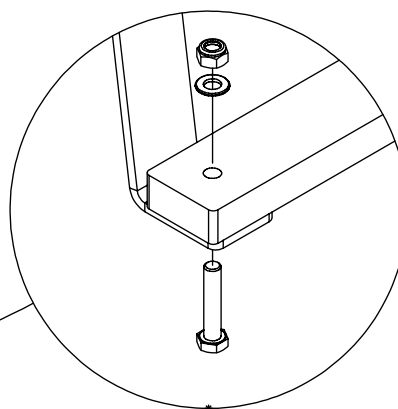
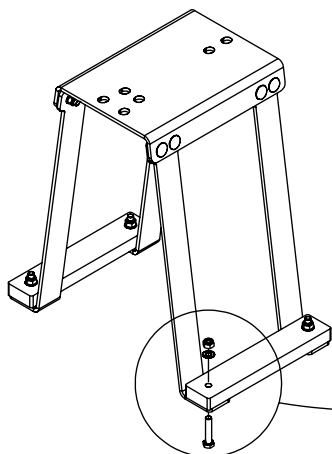
1x	SP3 _(K17)
1x	SP1
2x	SP2
20x	8x50 sxi
2x	12e088
1x	V001



K17

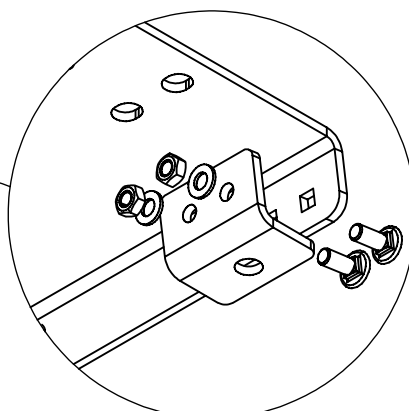
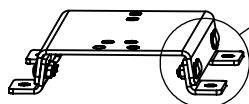


SP1 x1



SP3 x1

K3

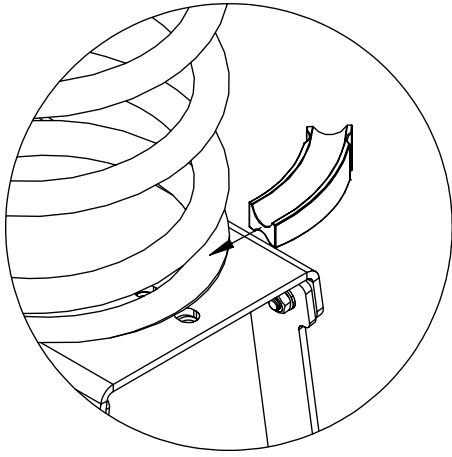


SP1 x1

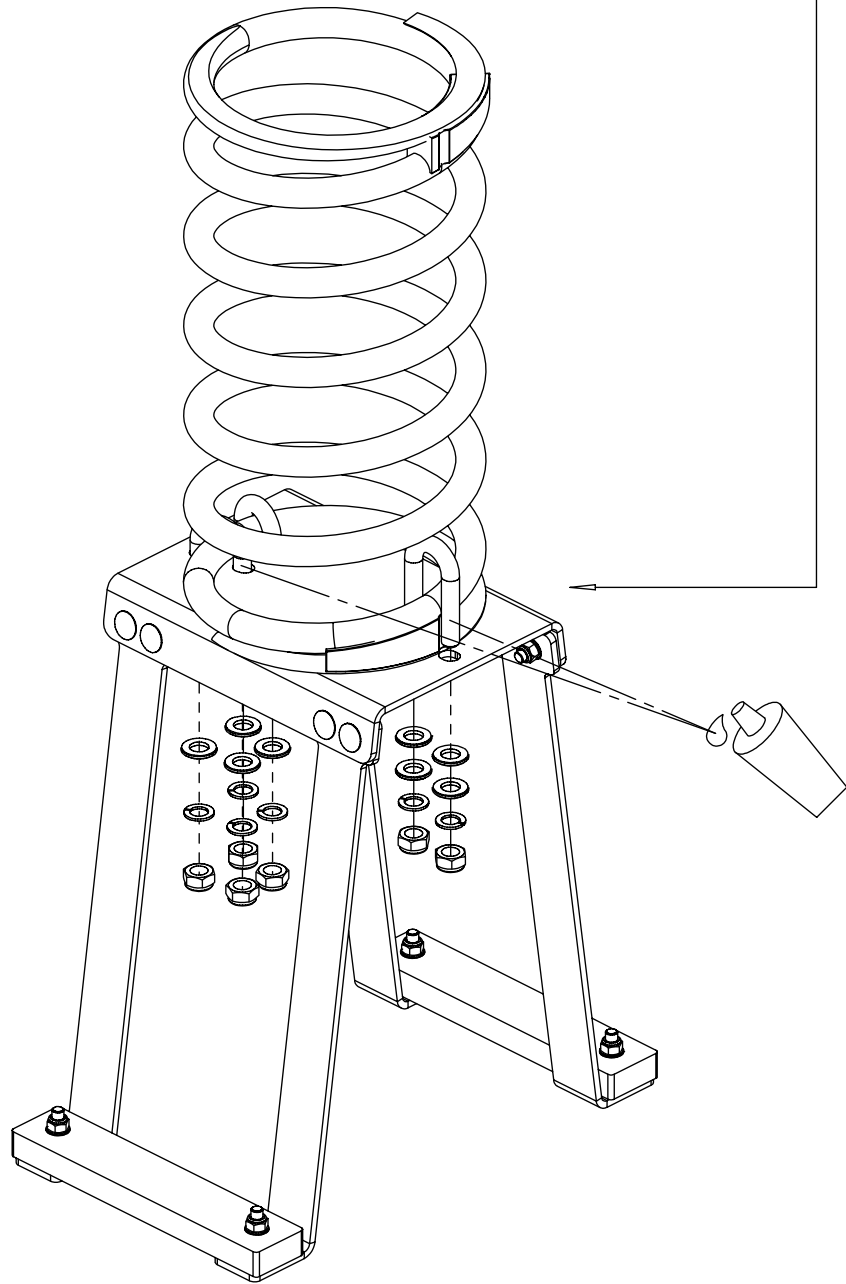
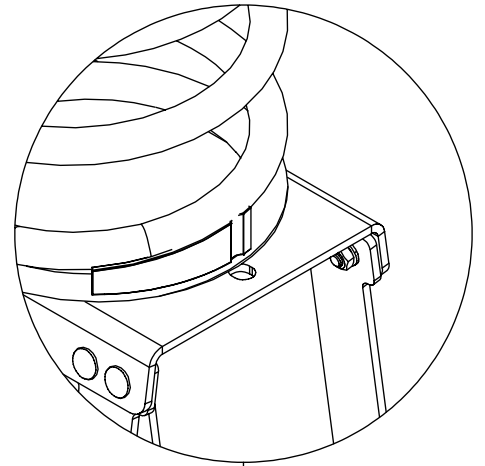
[cm]



vinci
play



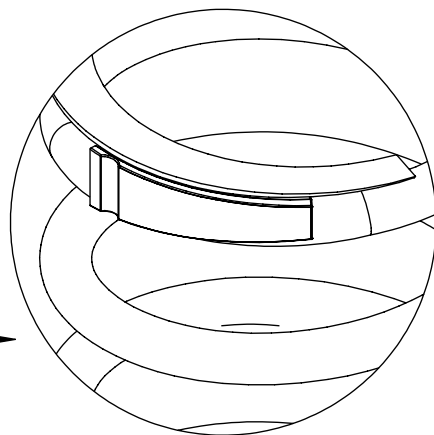
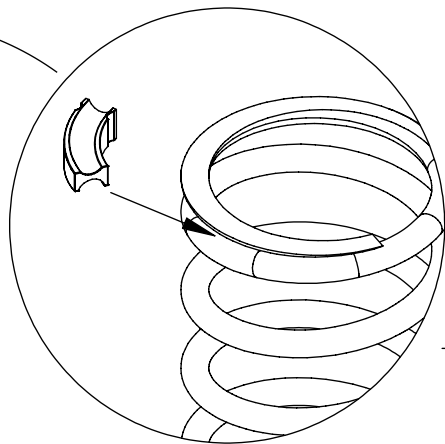
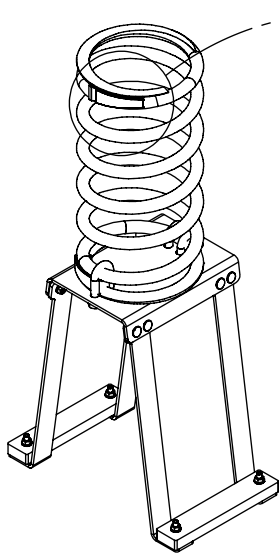
SP2 x1



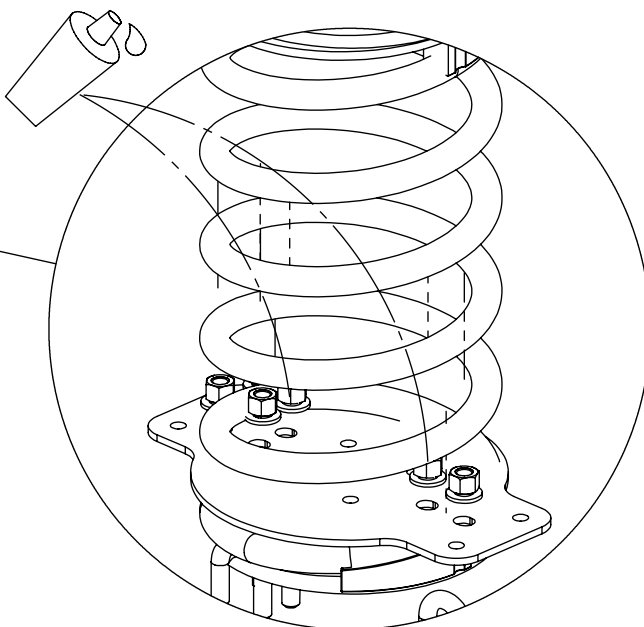
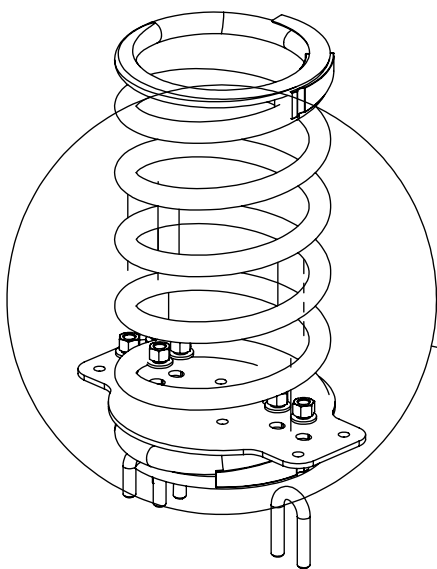
[cm]



vinci
play



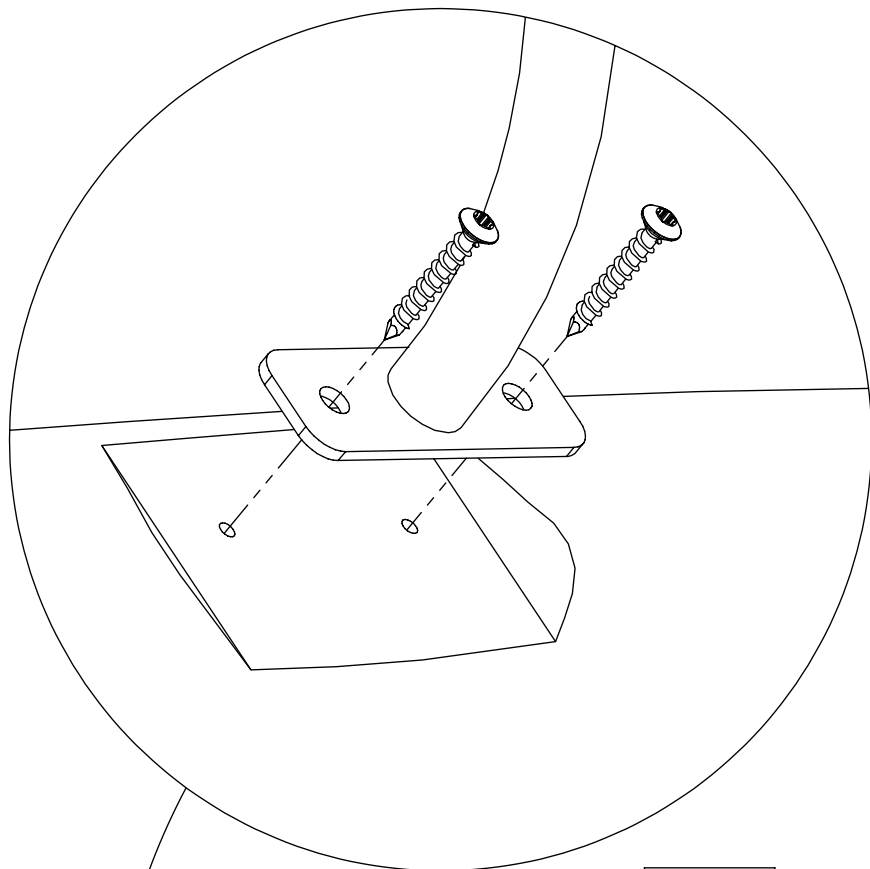
1x **SP2**



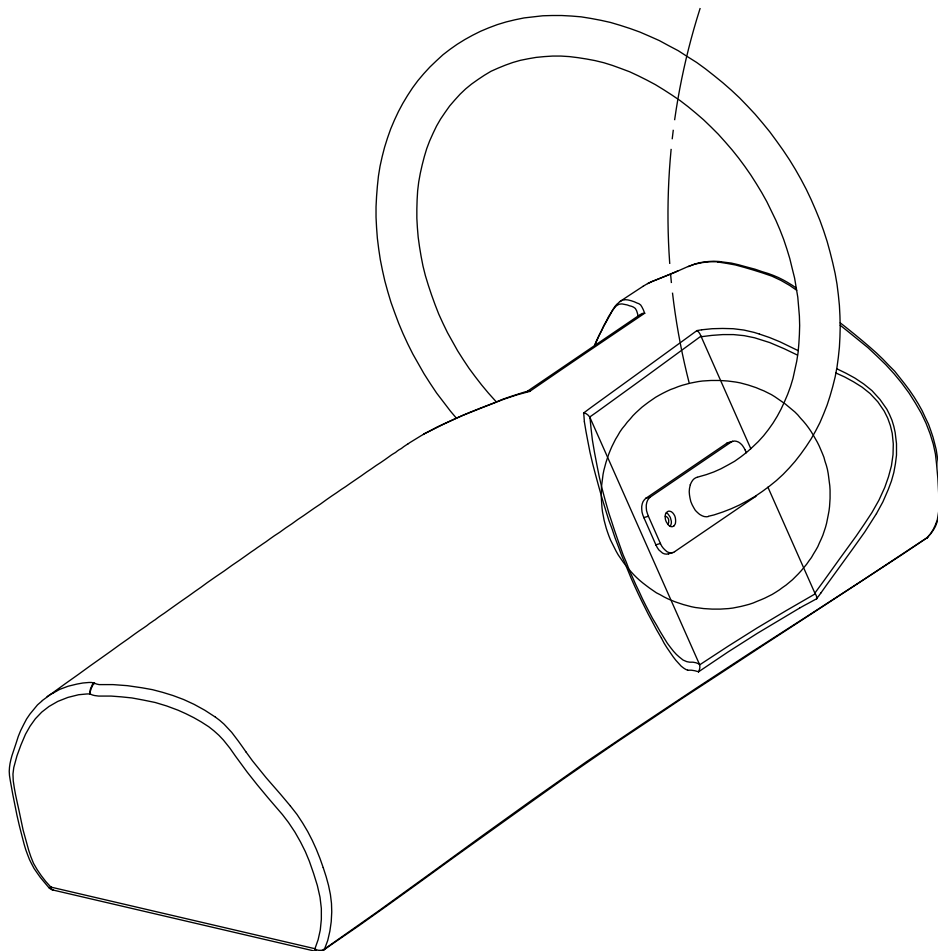
[cm]



vinci
play



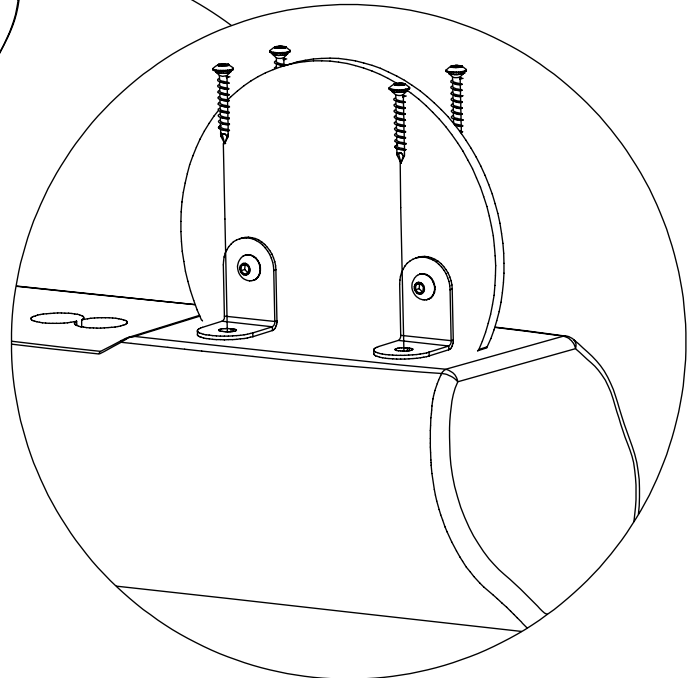
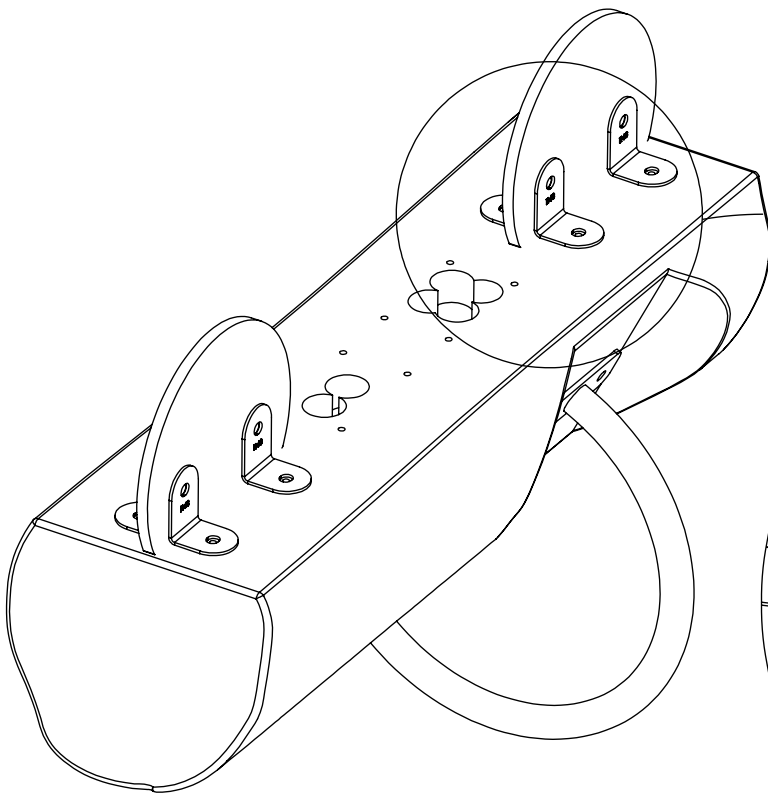
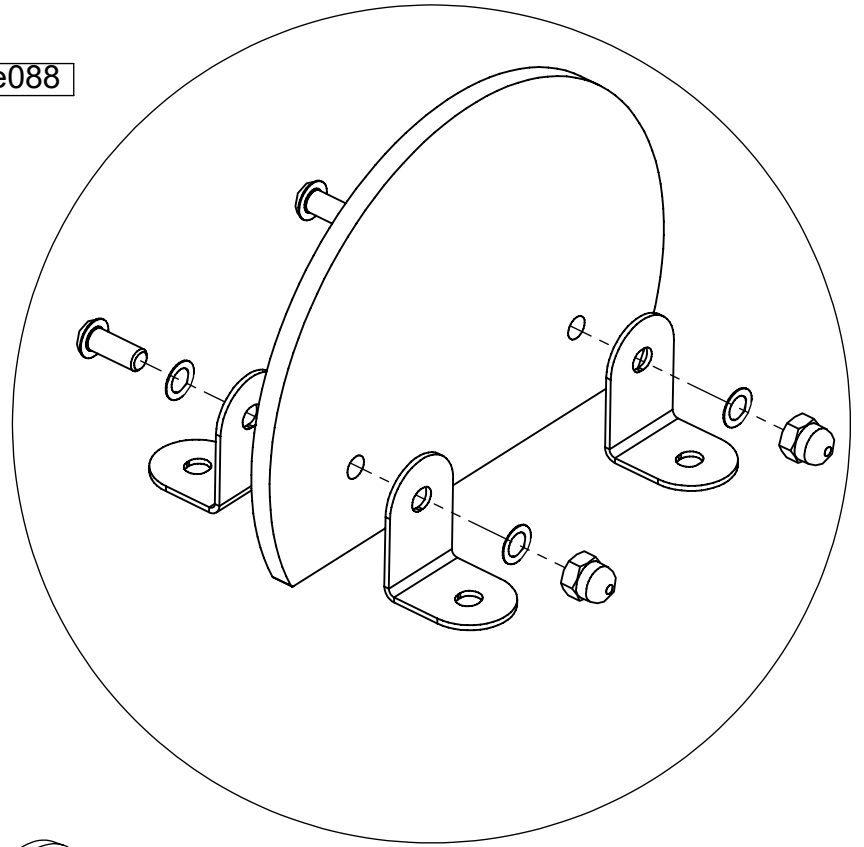
4x 8x50sxi



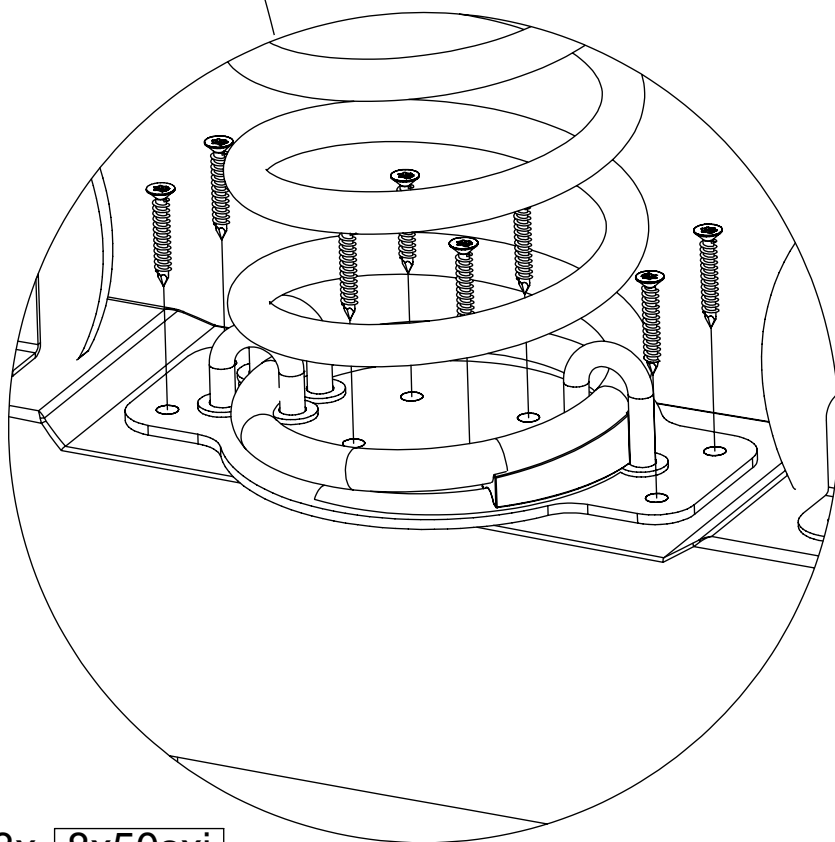
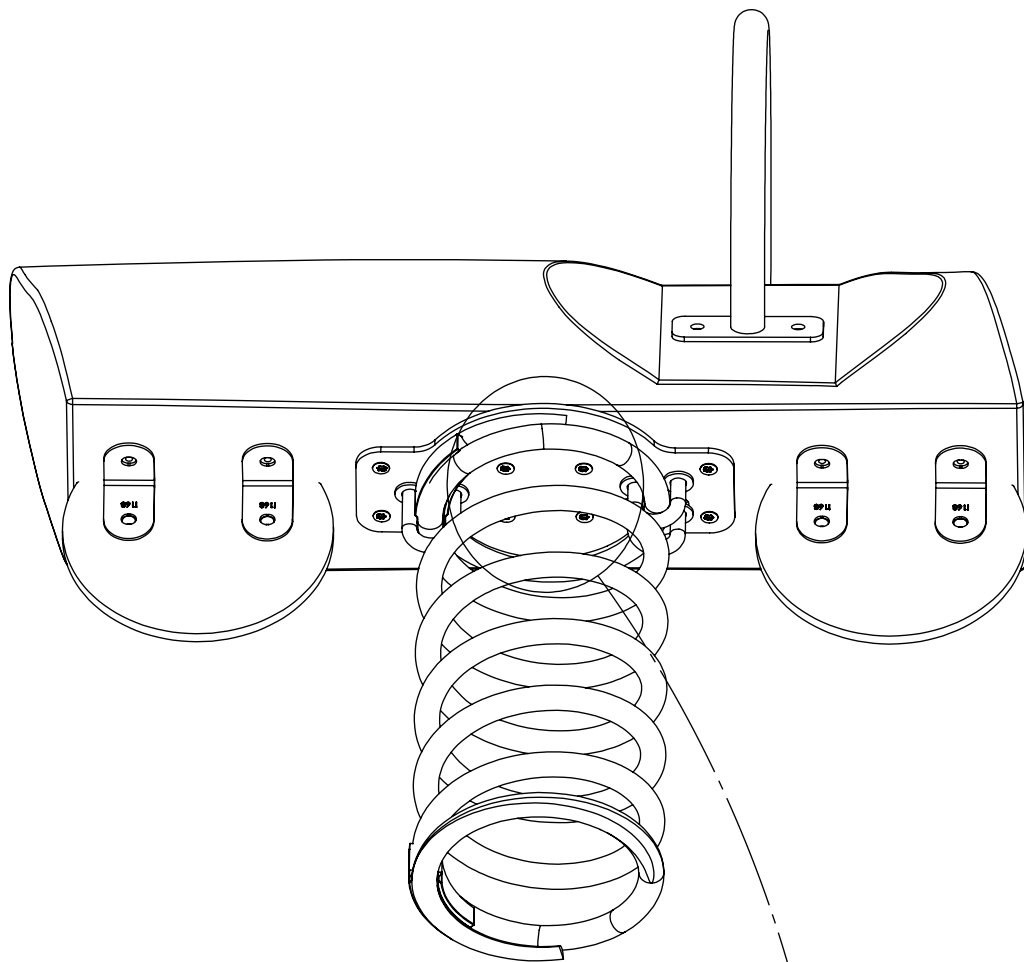
[cm]

vinci
play

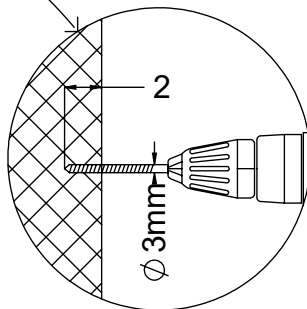
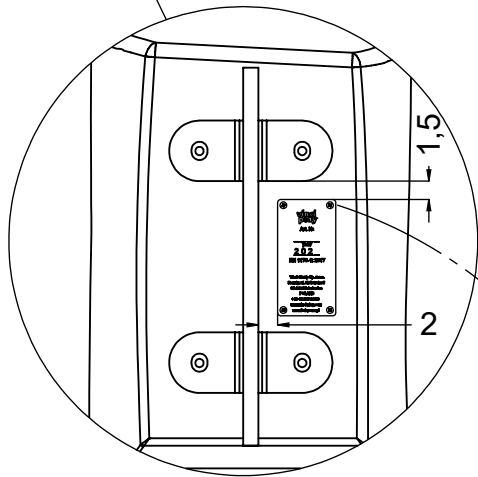
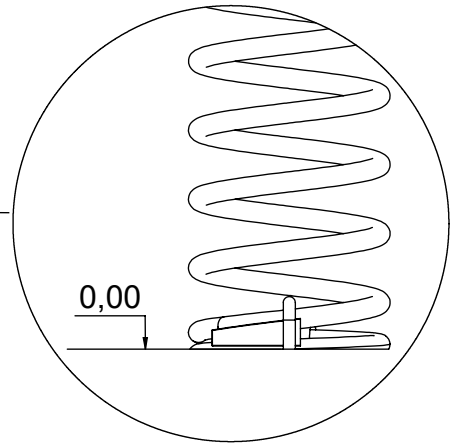
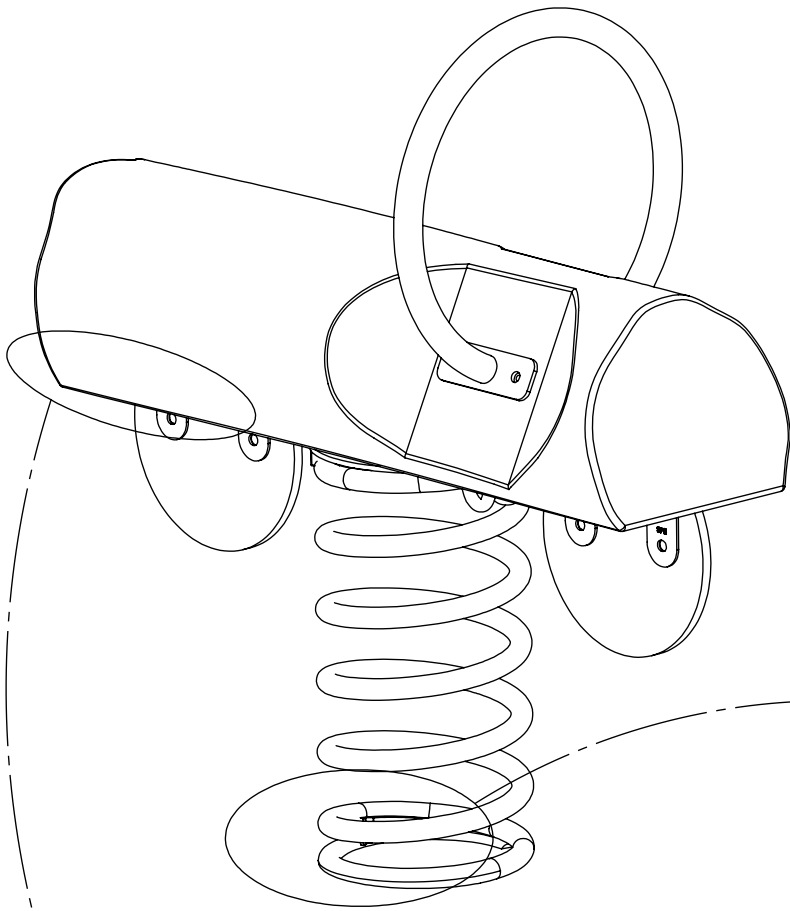
1x 12e088



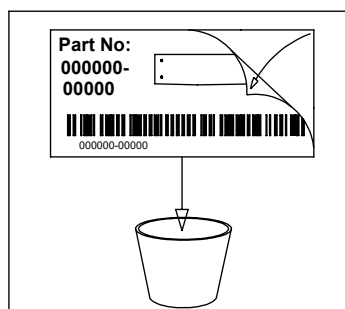
8x 8x50sxi



8x 8x50sxi



V001



[cm]

vinci
play