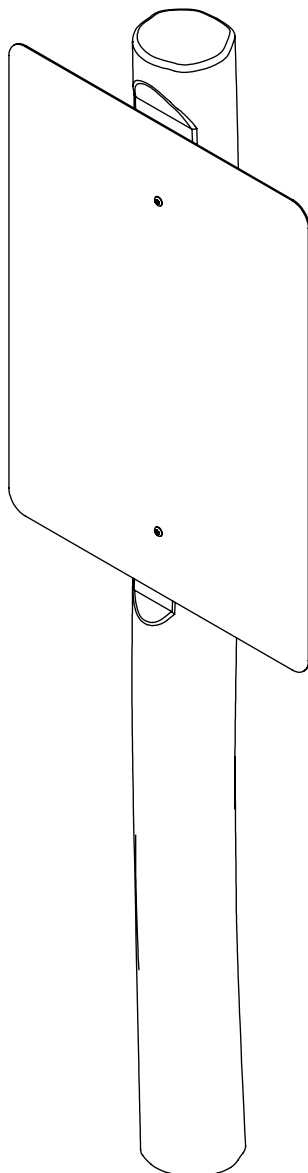


RB1399



v010
20.10.2020
A. P.
[cm]



0,5h



48h

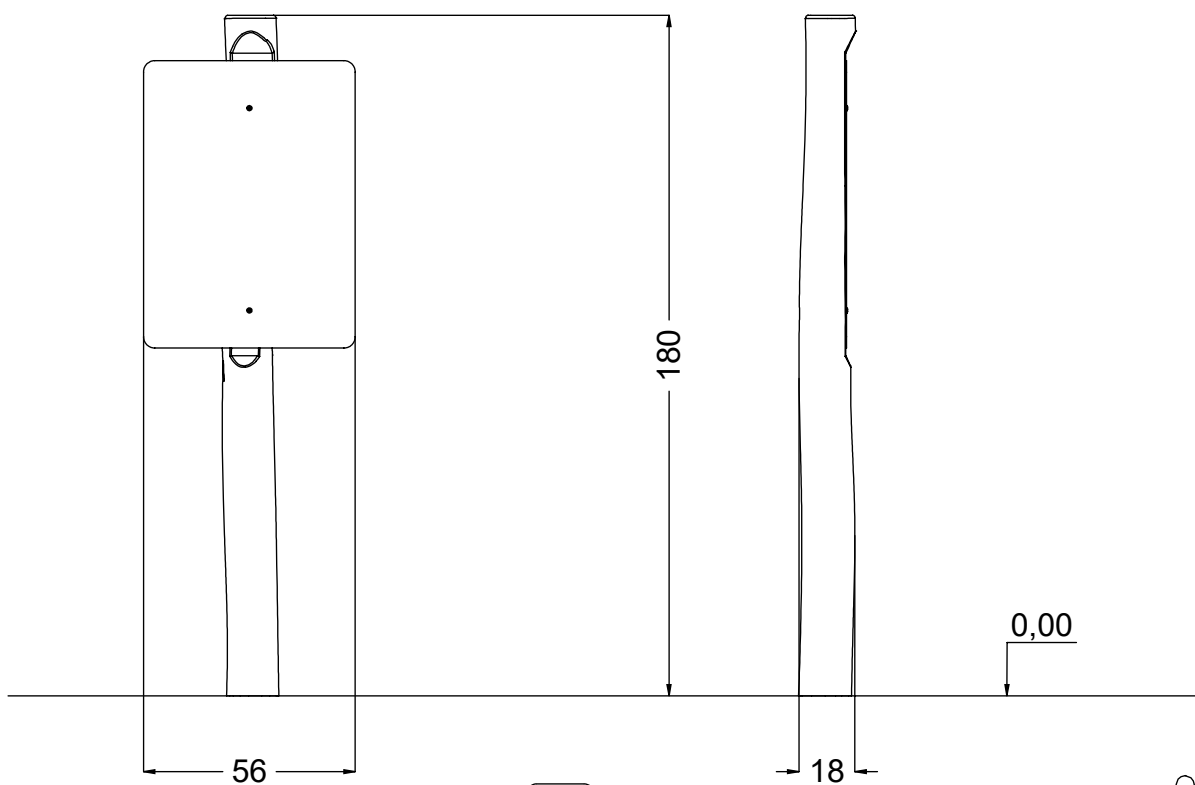
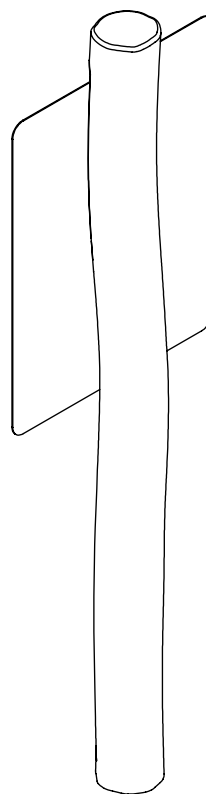
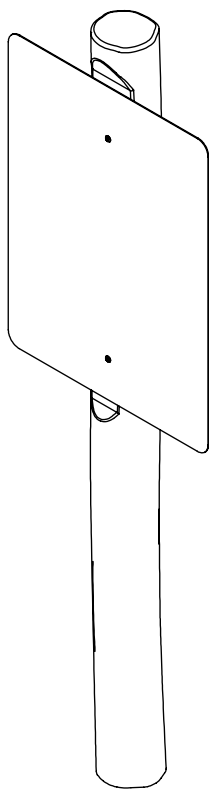
K21
x1

>0,06m³

Ø3

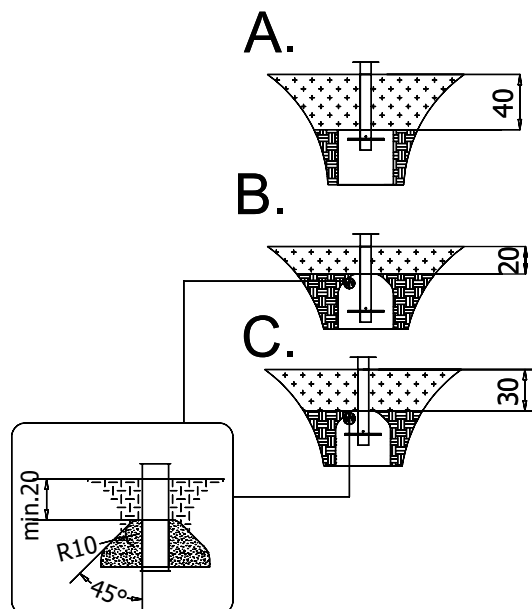
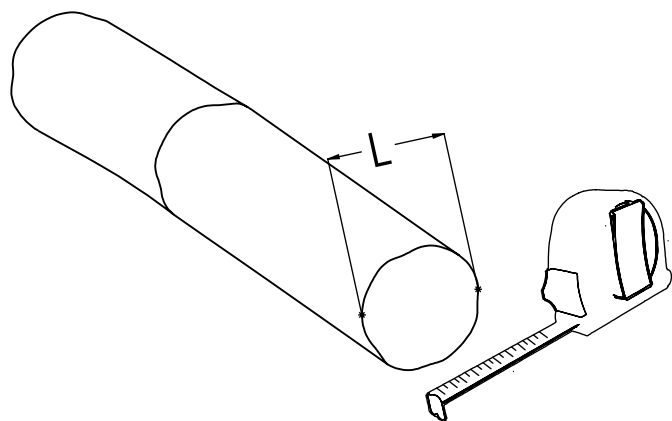
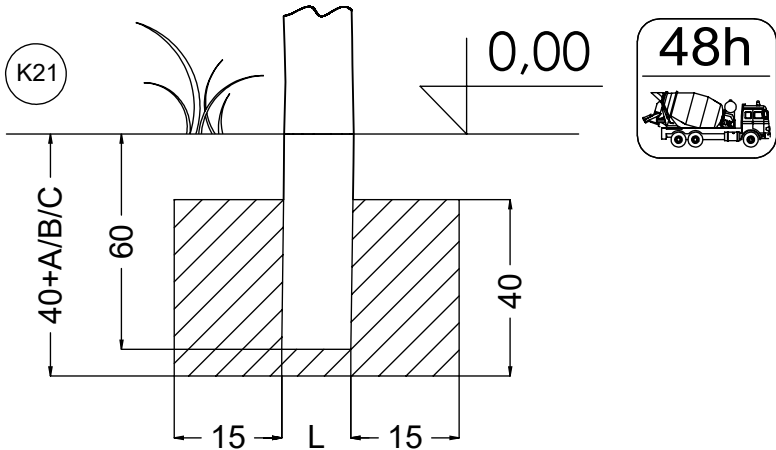
Ø5,5

vinci
play

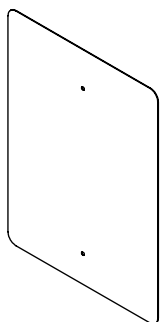


[cm]

vinci
play



127327
x1



126106
x1

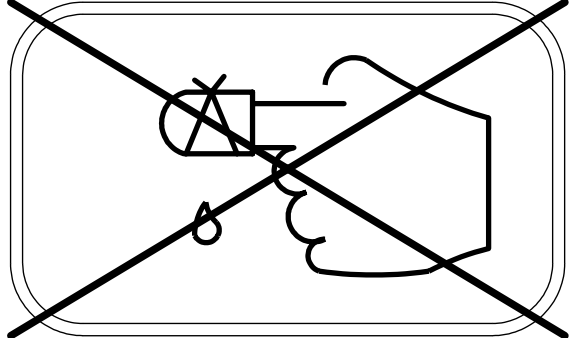
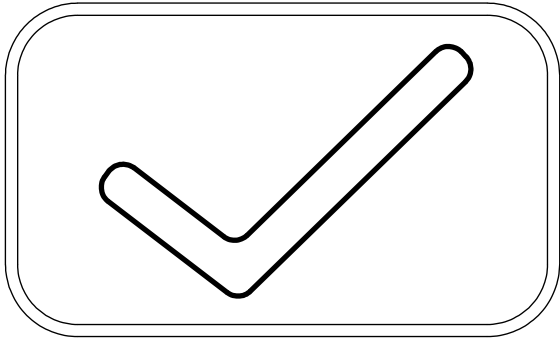
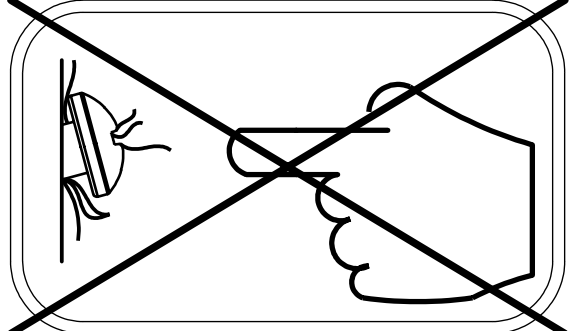
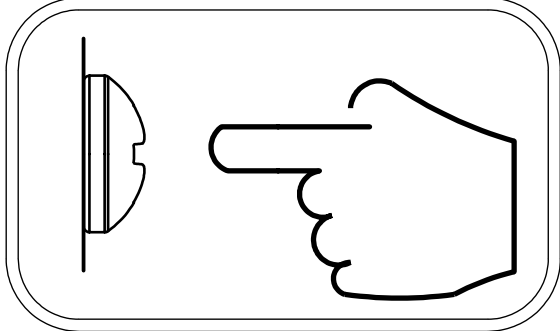
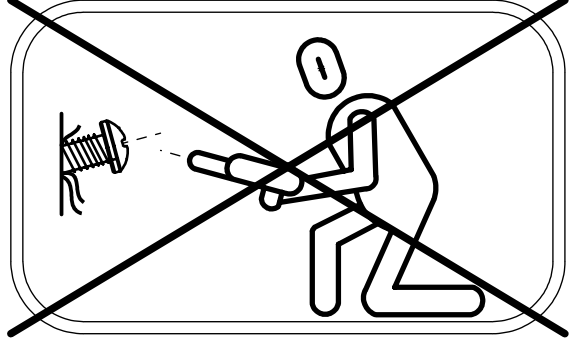
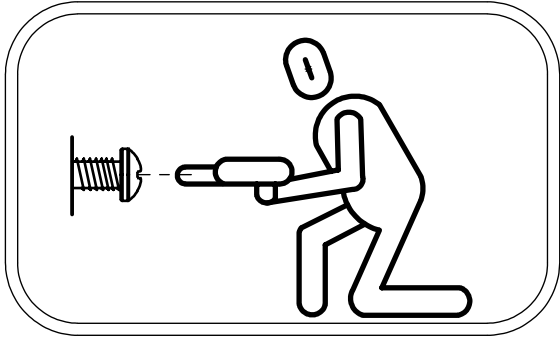
2x	8x50sxi
1x	V001

[cm]

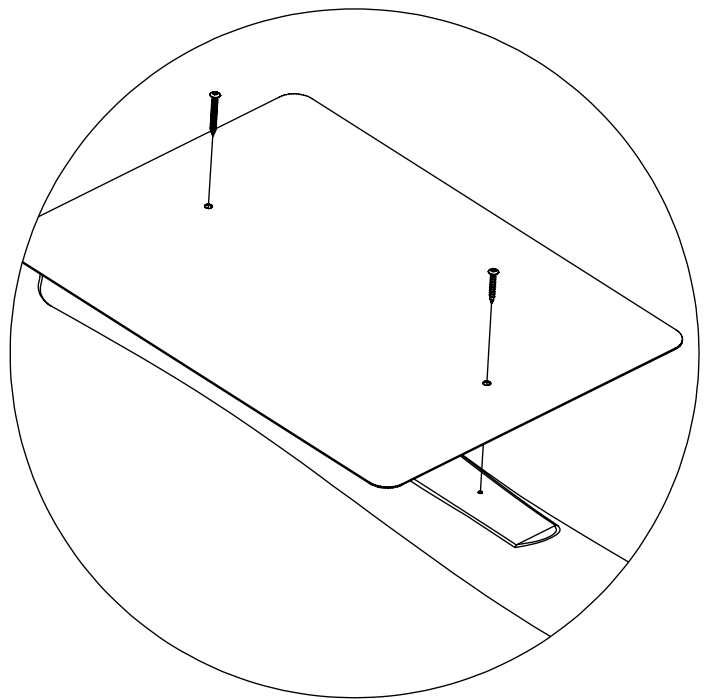
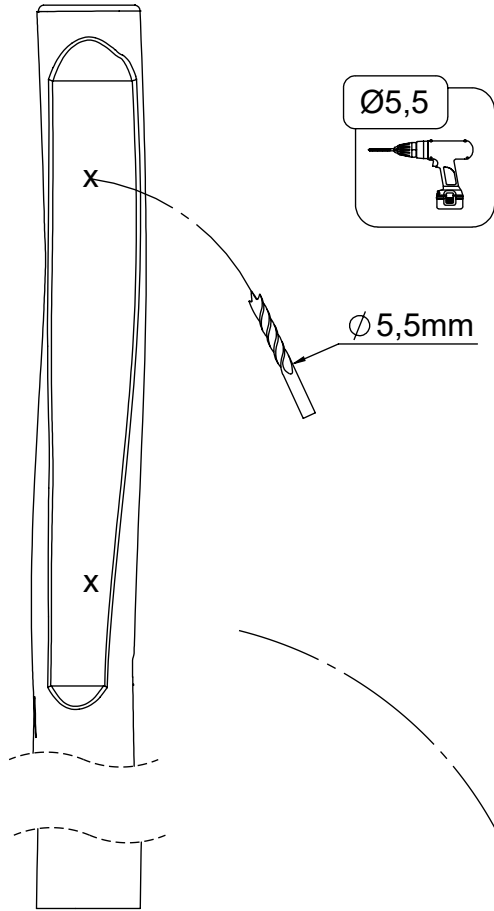
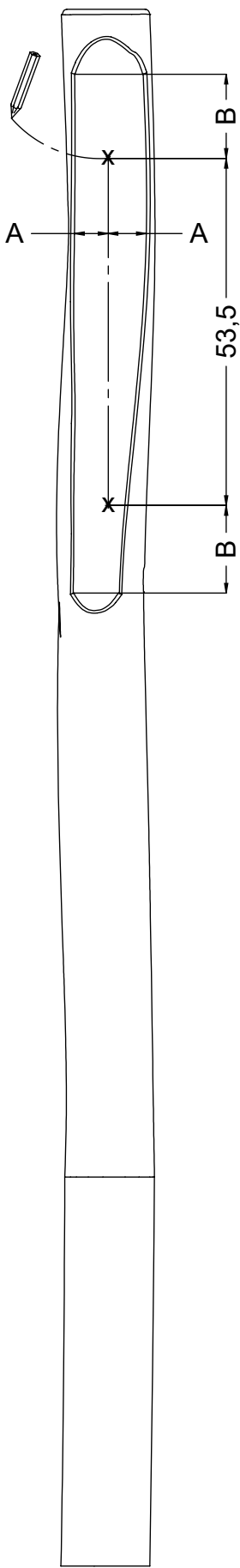


>0,06m³

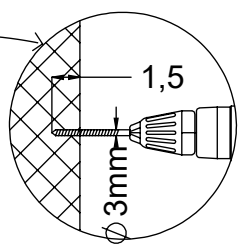
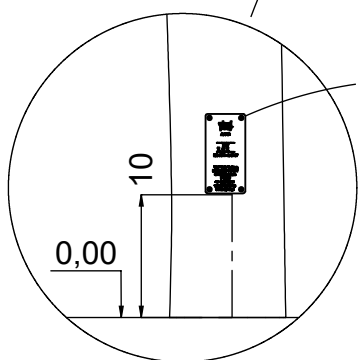
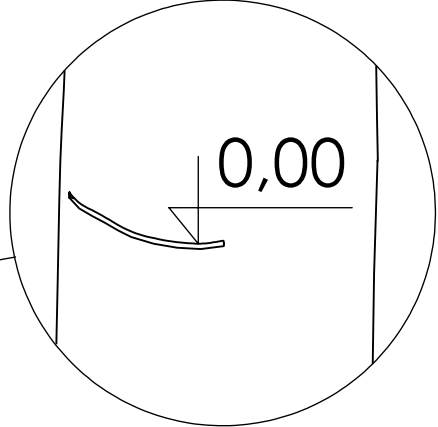
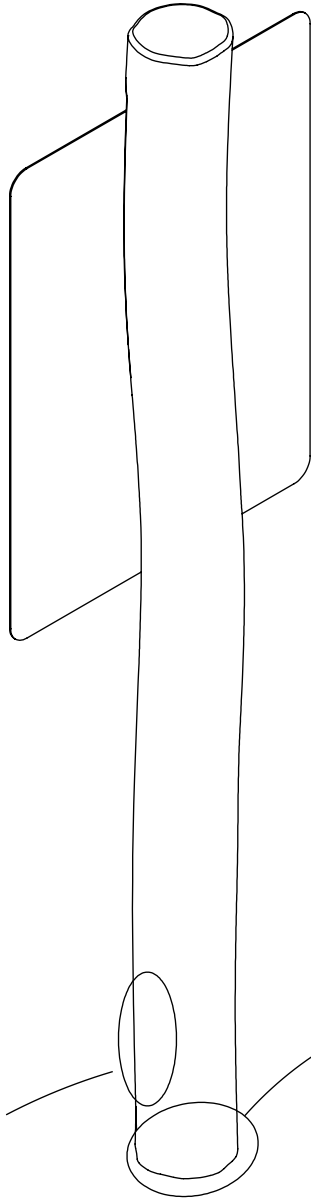
vinci
play



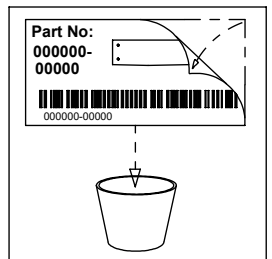
A=B
B=B



2x 8x50sxi



V001



[cm]

vinci play