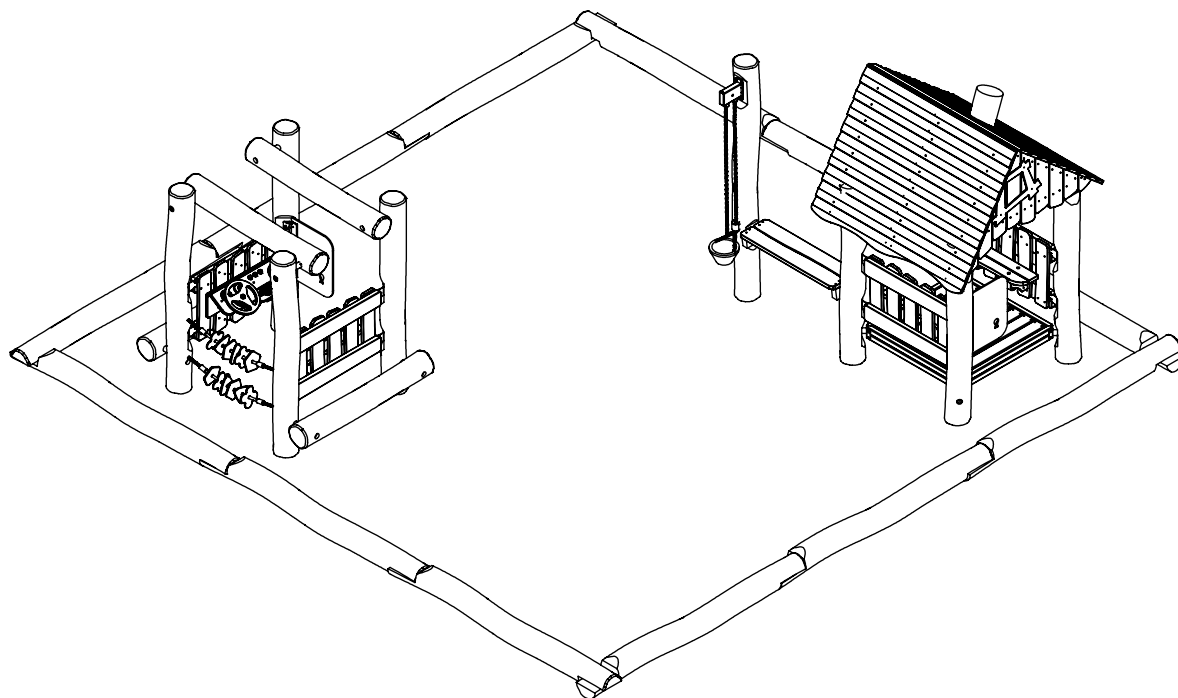
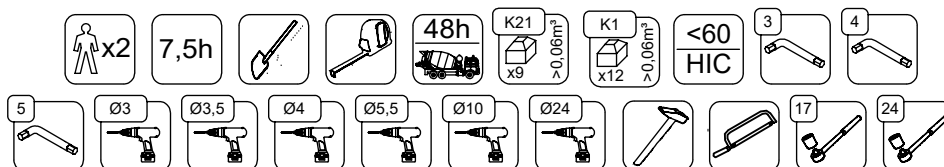


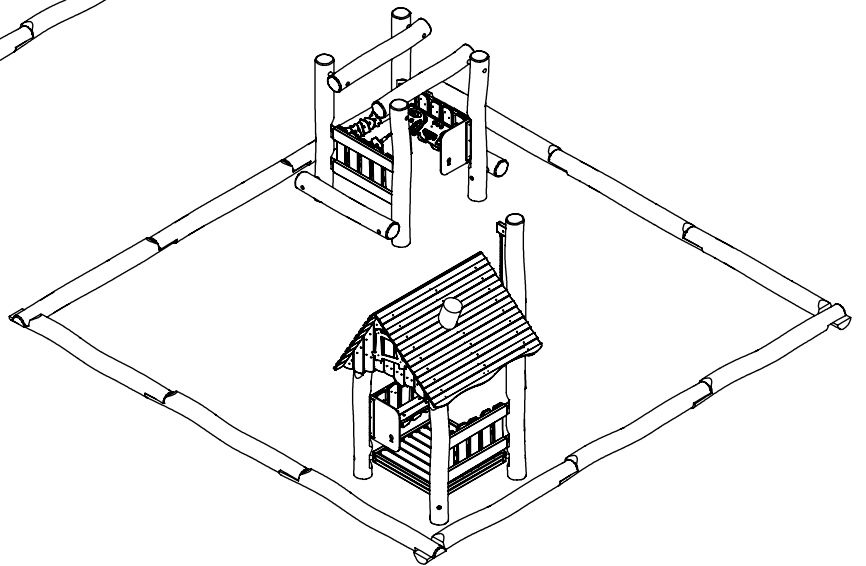
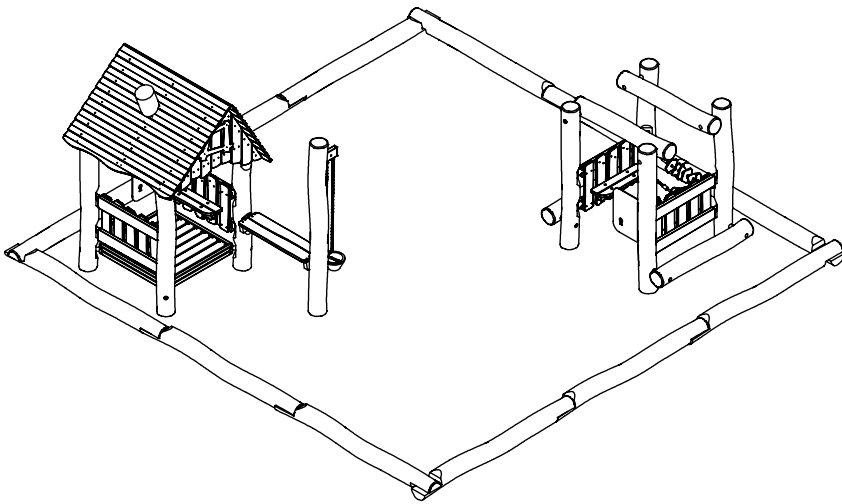
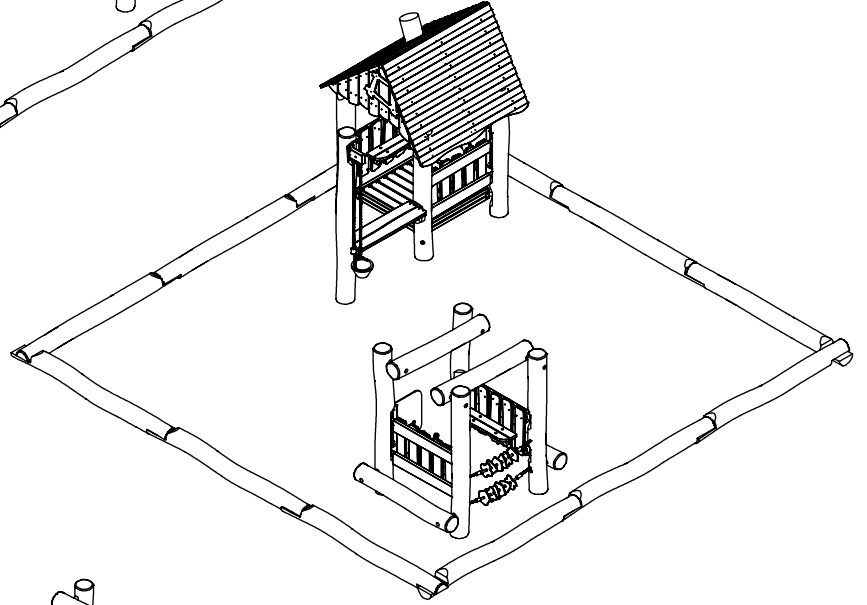
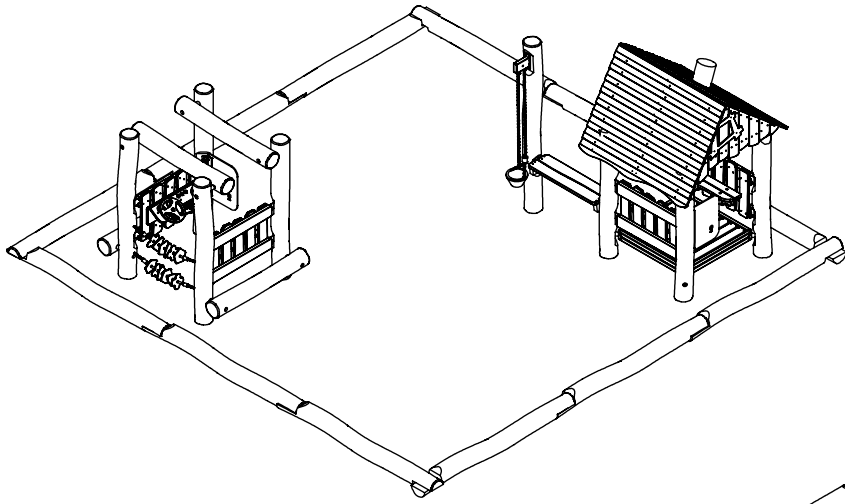
RB1333



v011
20.05.2021
A. P.
[cm]

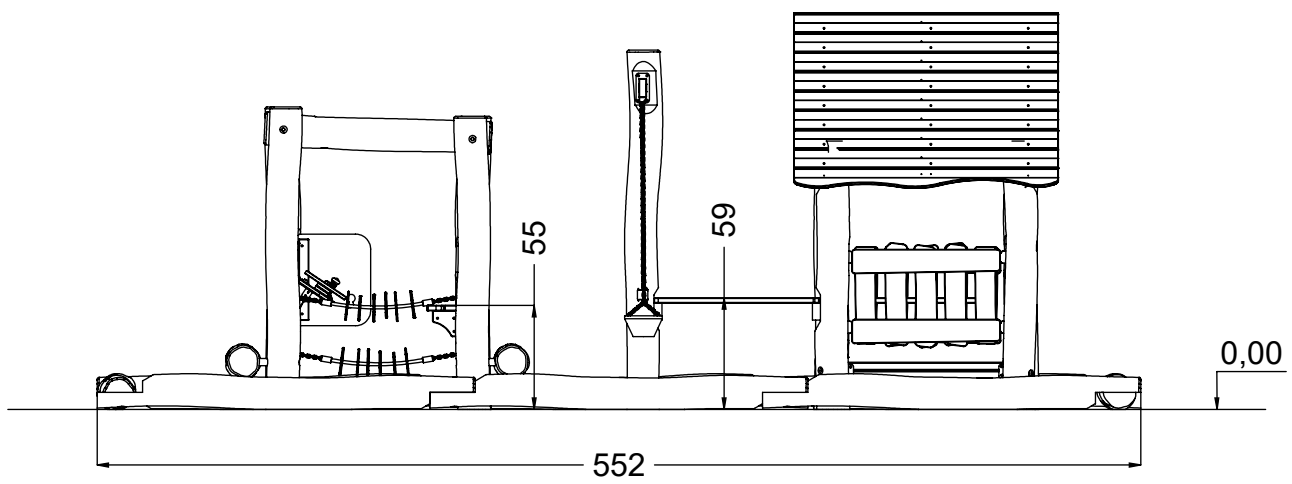
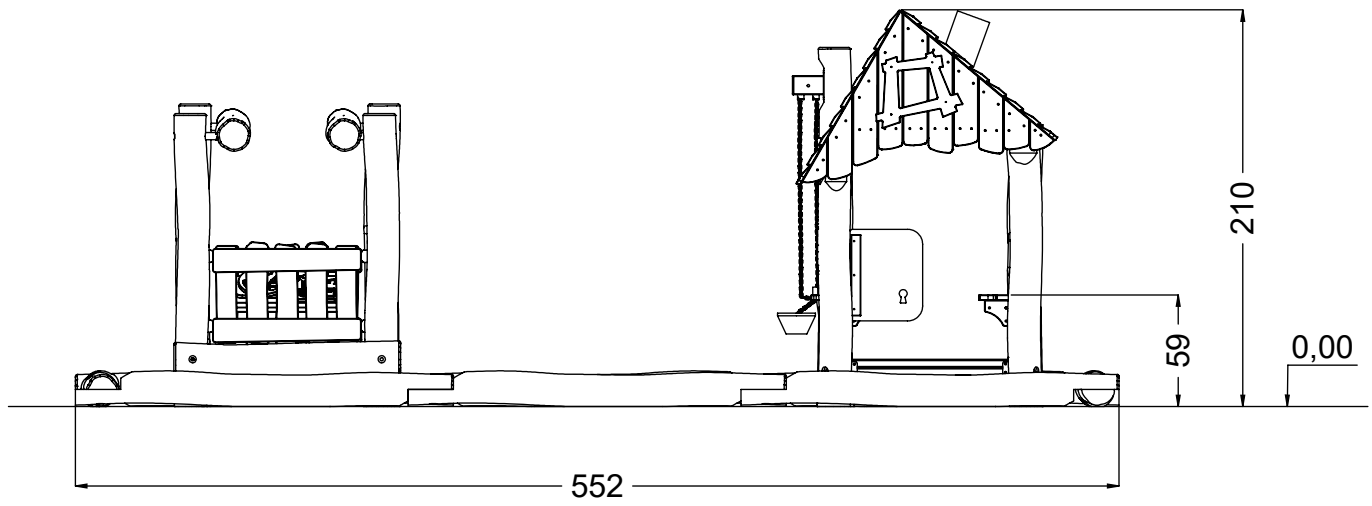


vinci
play



[cm]

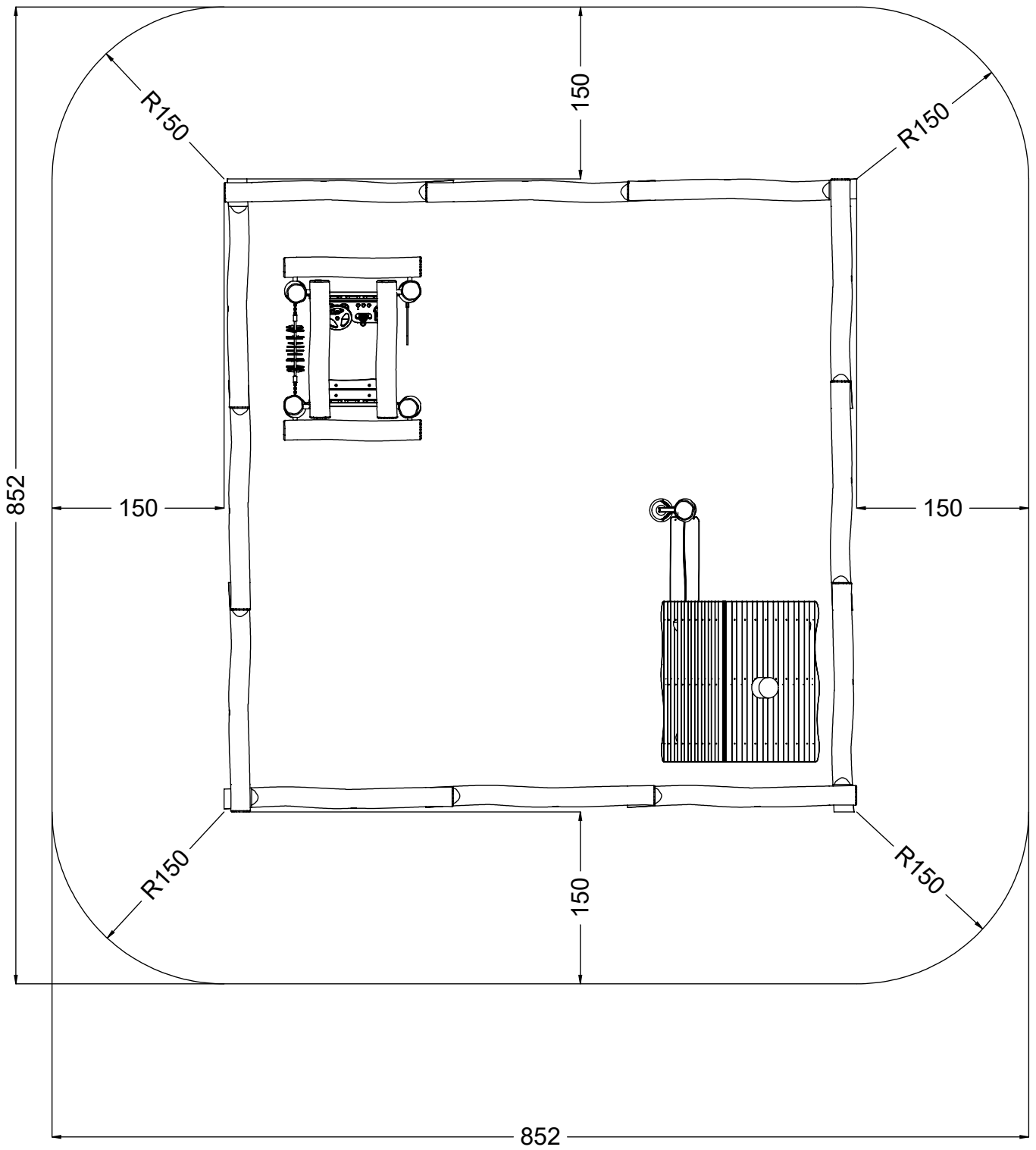
vinci
play



[cm]



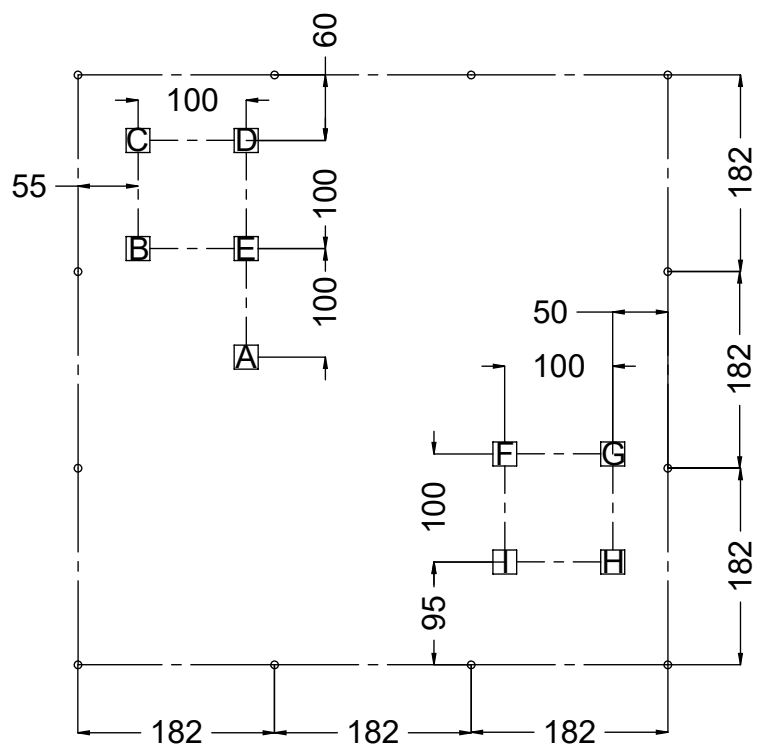
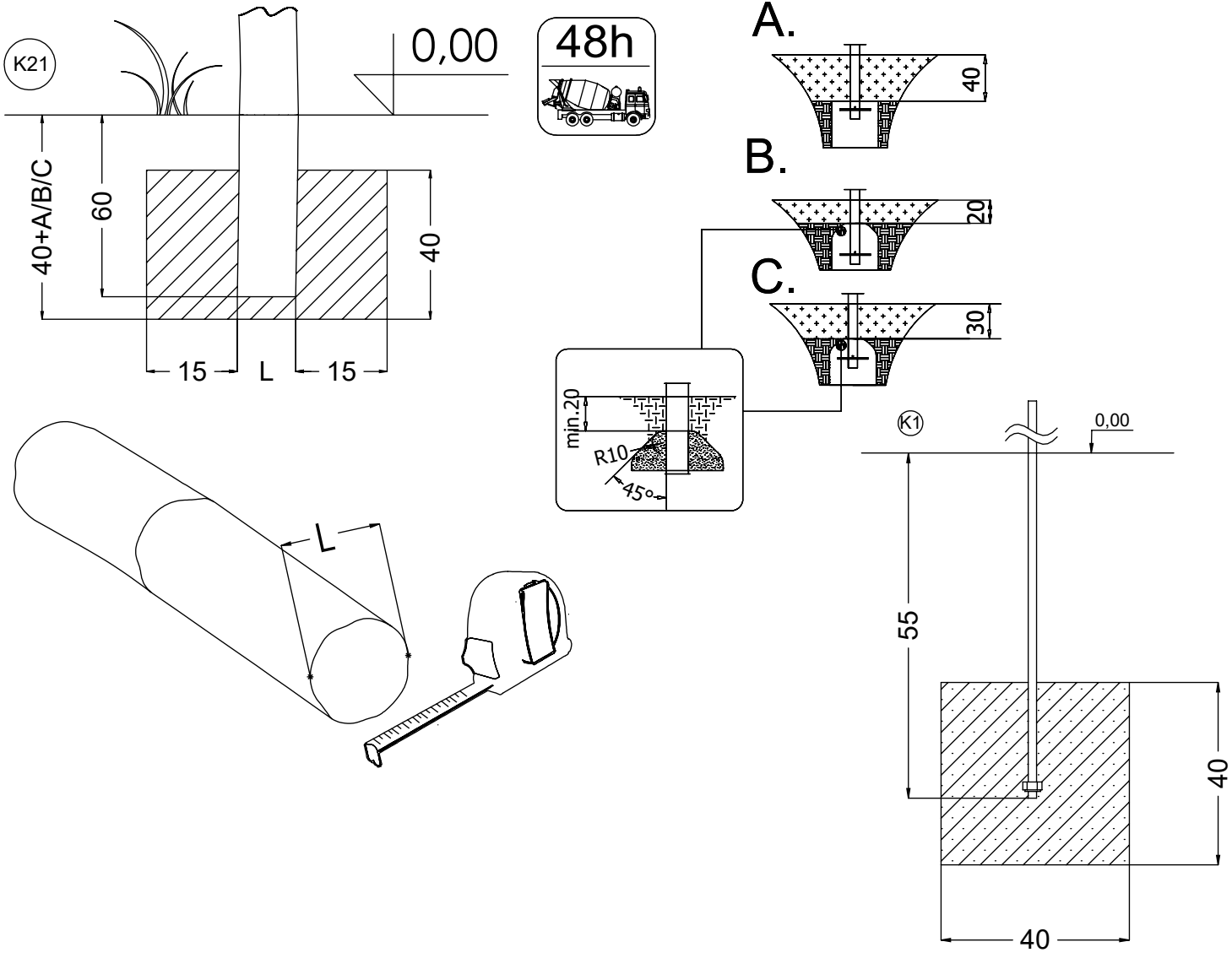
vinci
play



[cm]



vinci
play



[cm]

x2
 7,5h

 48h
 K21 x9 >0,06m³
 K1 x12 >0,06m³

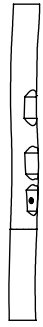
vinci
play



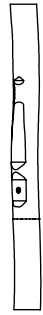
127454 (A)
x1



127450 (B)
x1



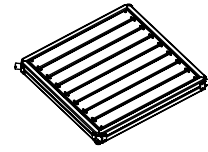
127451 (C)
x1



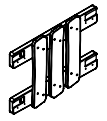
127452 (D)
x1



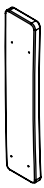
127453 (E)
x1



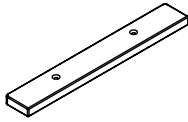
124100
x1



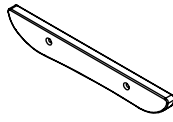
124111
x2



128194
x4



128102
x2



128106
x2



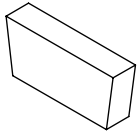
121115
x1



126103
x1



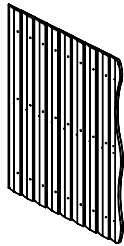
121116
x1



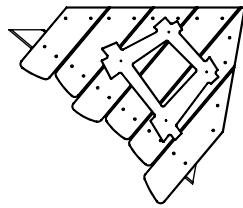
128154
x2



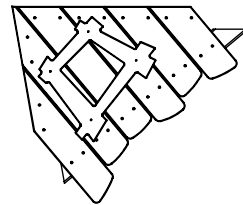
128153
x2



124133
x2



124135
x1



124132
x1



128125
x2



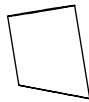
128118
x2



128126
x2



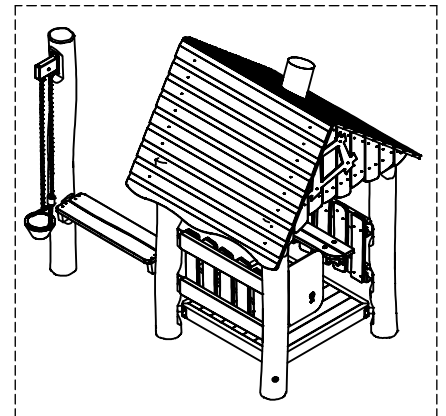
128117
x2



128172
x1



994121
x1





127455 (F)
x1



127456 (G)
x1



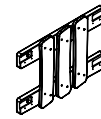
127457 (H)
x1



127458 (I)
x1



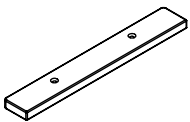
127459
x4



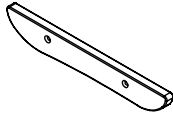
124111
x2



128194
x4



128102
x1



128106
x1



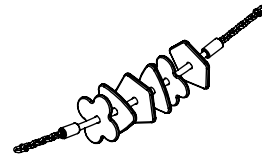
121115
x1



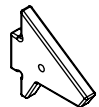
126103
x1



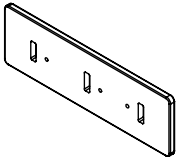
121116
x1



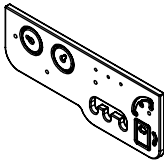
124112
x2



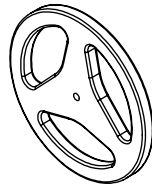
141174
x3



121118
x1



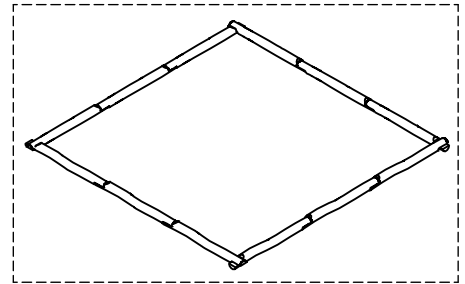
141176
x1



141173
x1

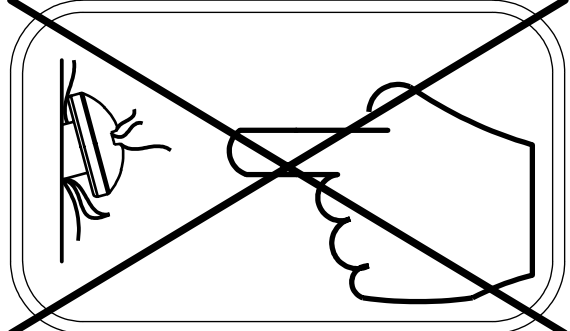
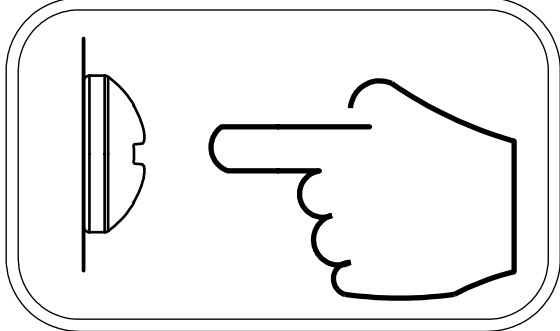
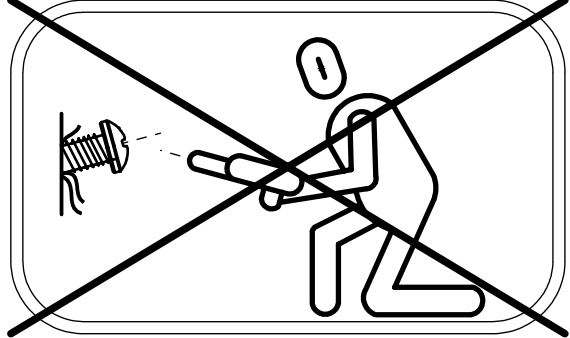


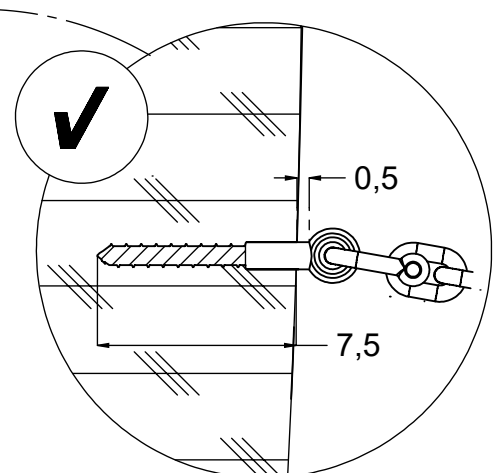
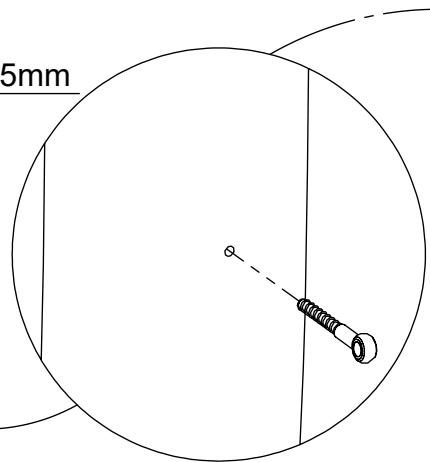
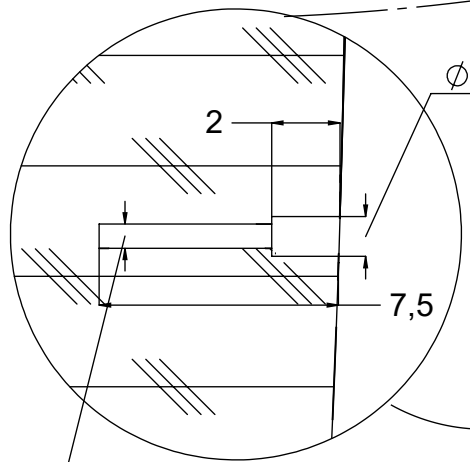
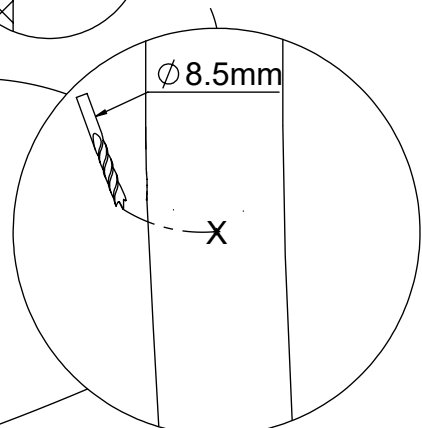
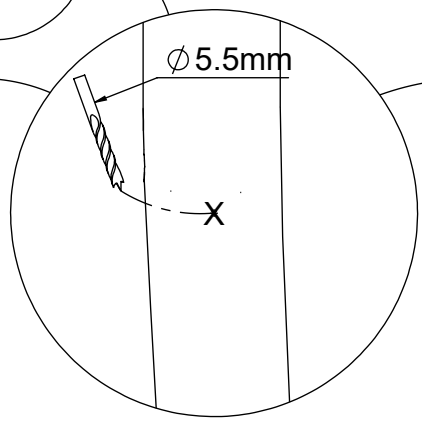
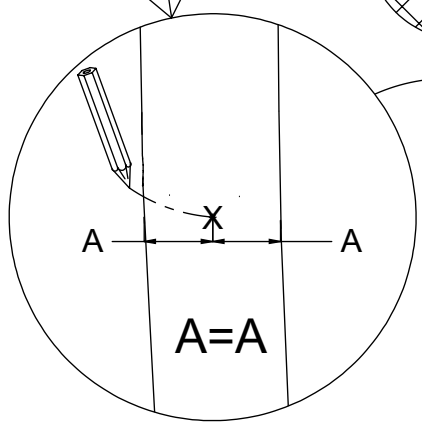
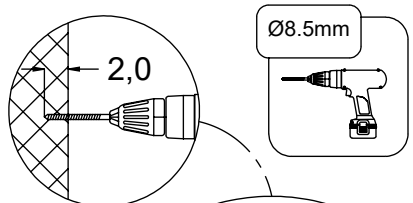
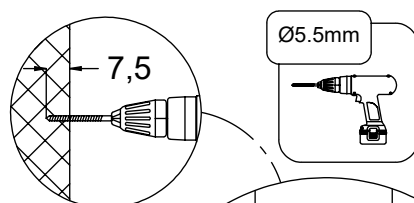
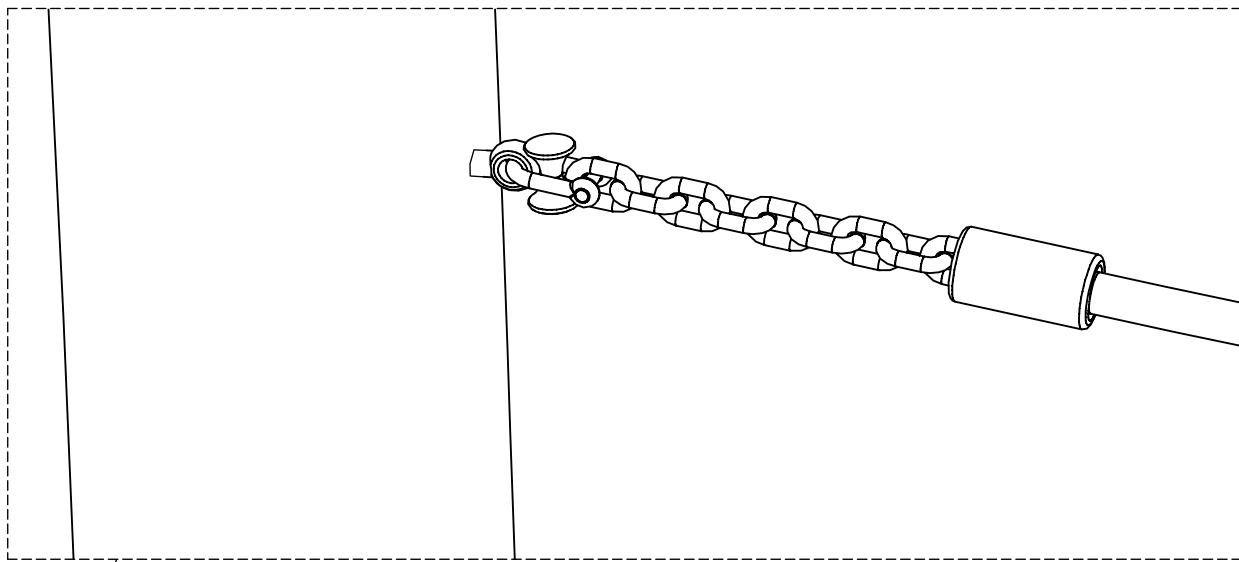
127465
x12



74x	5x50 sxs
15x	5x80 sxs
8x	8x80 sxt
6x	7x35 sxi
54x	8x50 sxi
48x	5x30 sxs
2x	6x50 sxs

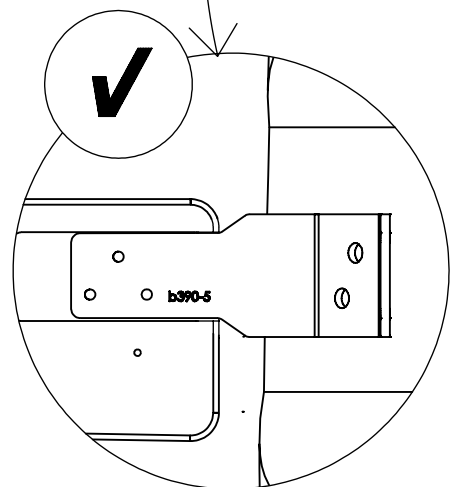
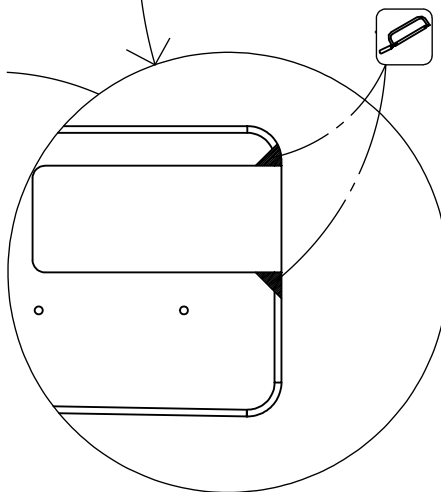
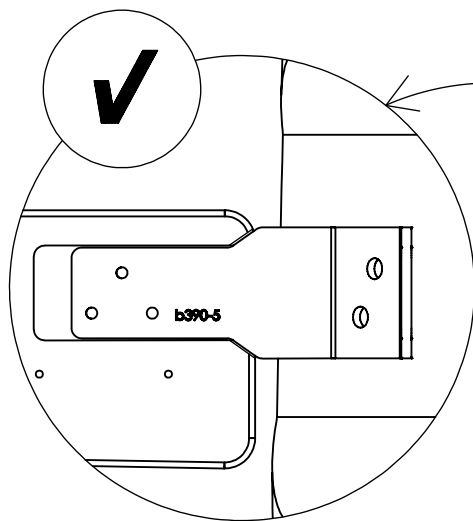
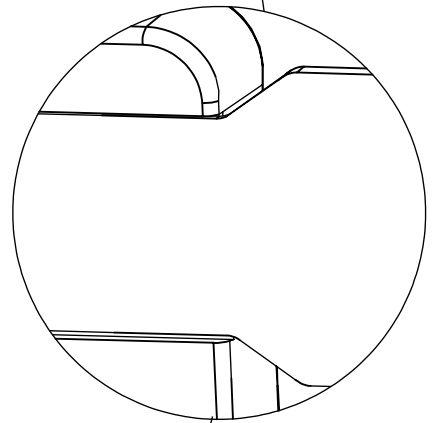
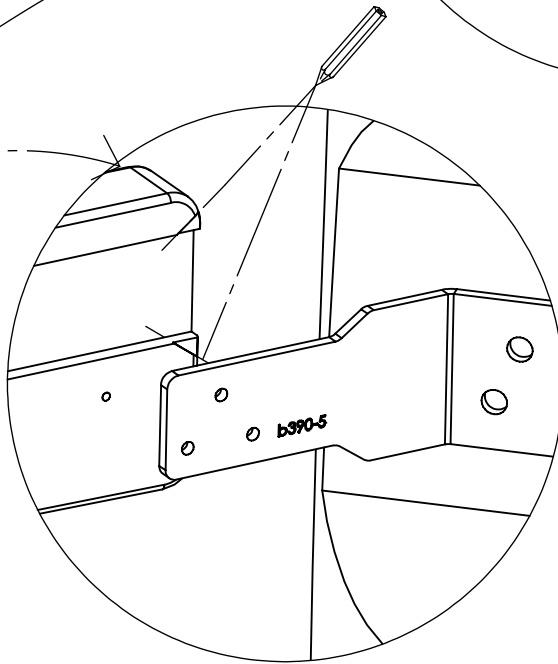
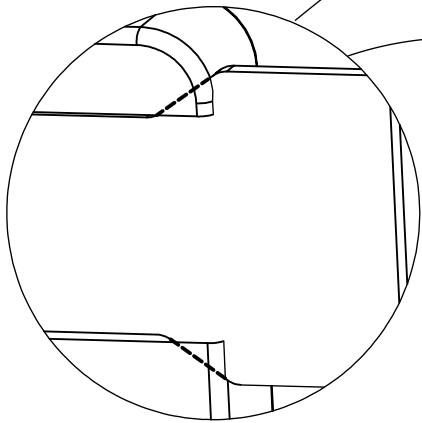
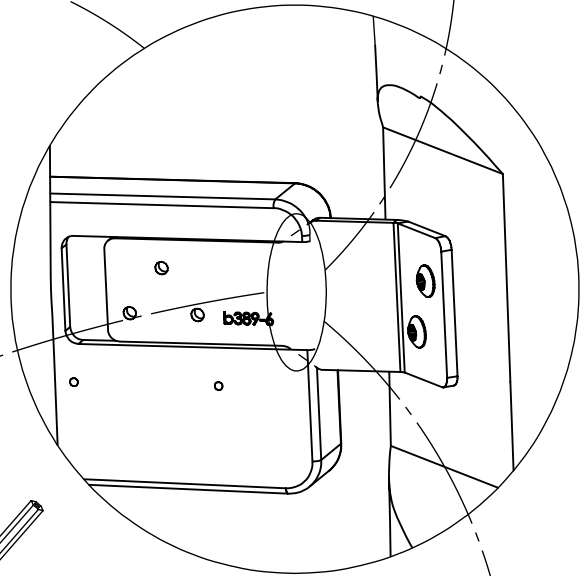
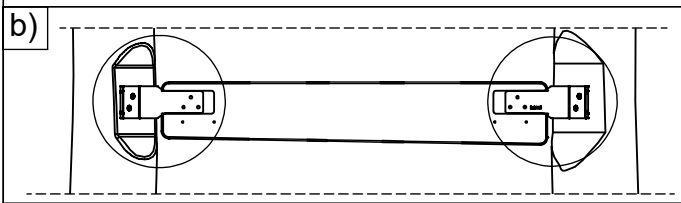
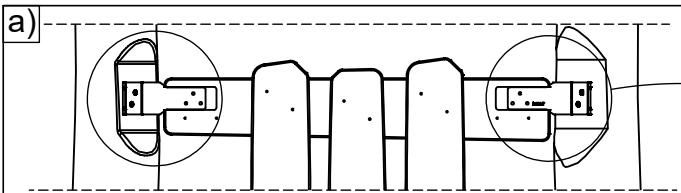
3x	12e013
1x	12e004
16x	b389
3x	12e014
2x	12e081
4x	12e022
2x	12e007
1x	12e073
1x	12e074
1x	12e101
1x	12e102
1x	12e103
1x	V001





[cm]

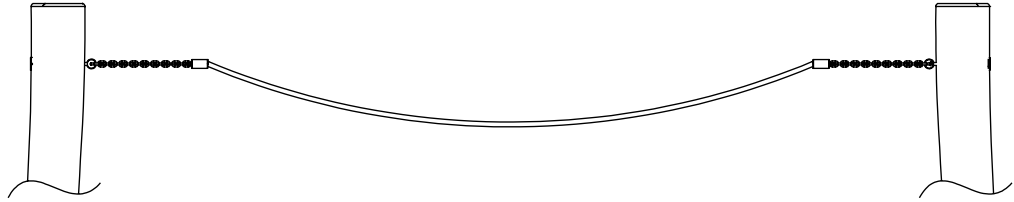
vinci play



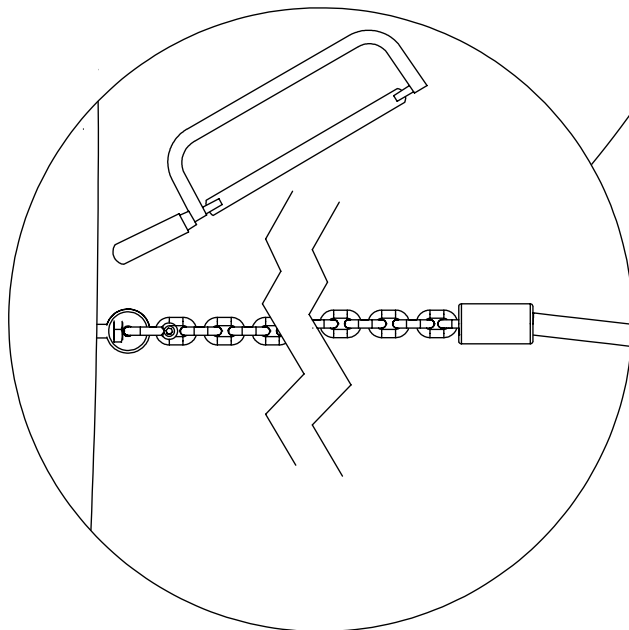
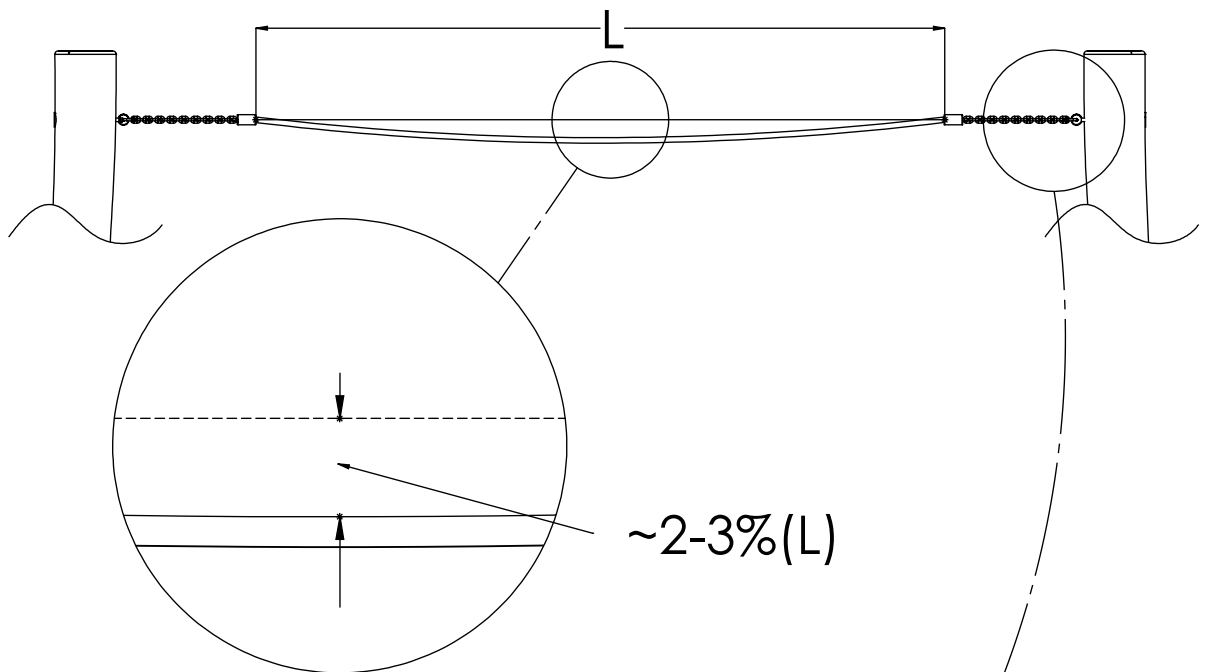
X

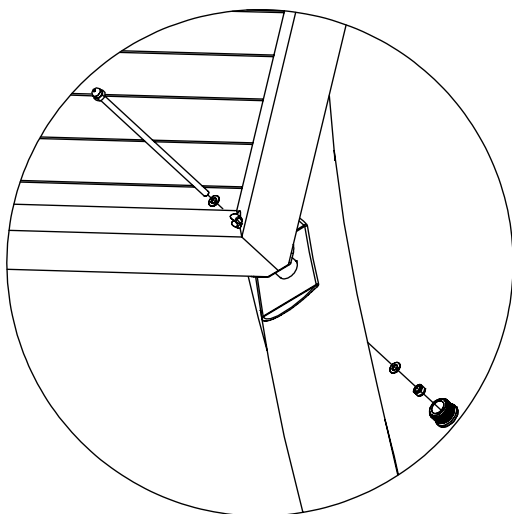
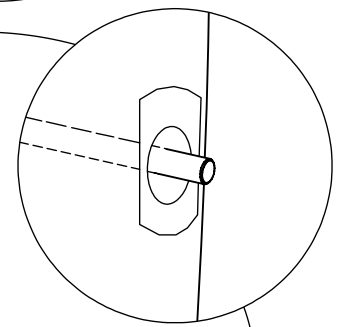
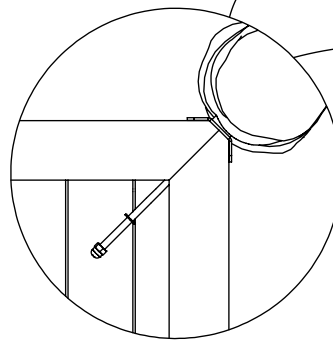
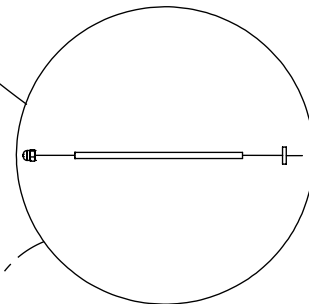
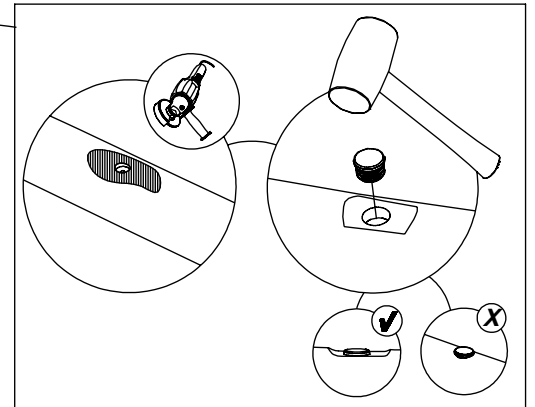
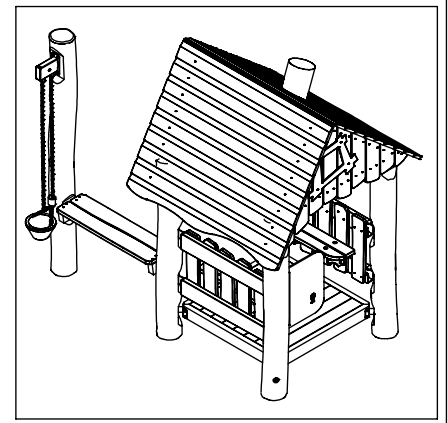
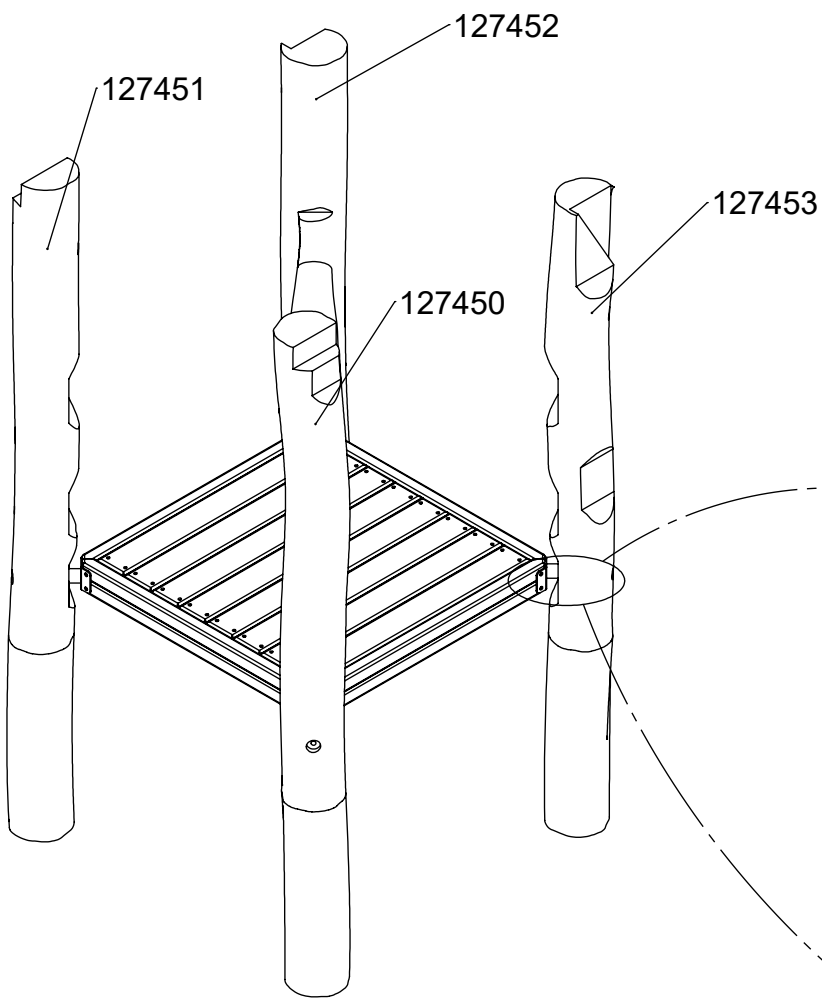


X

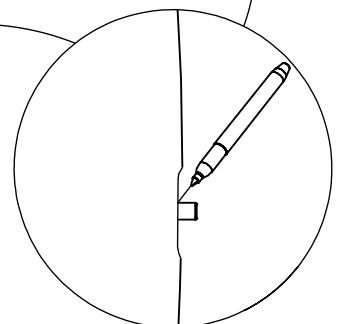
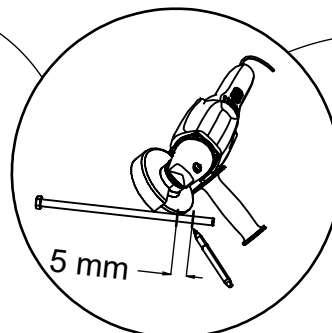


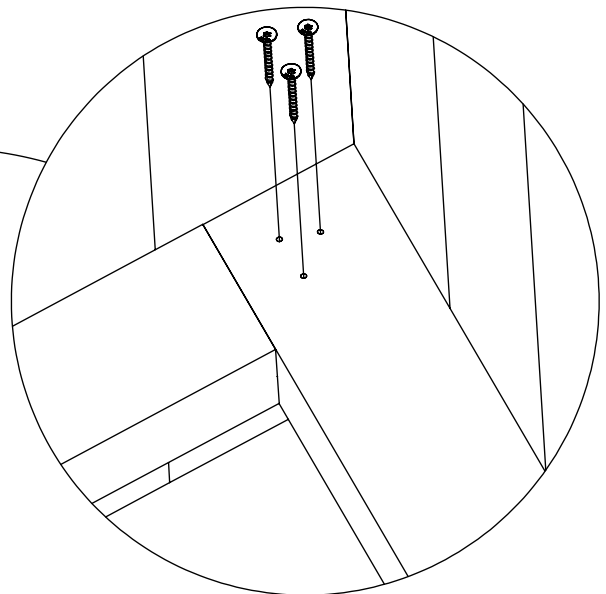
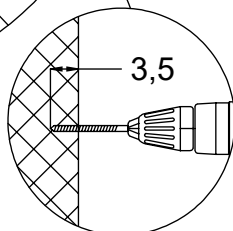
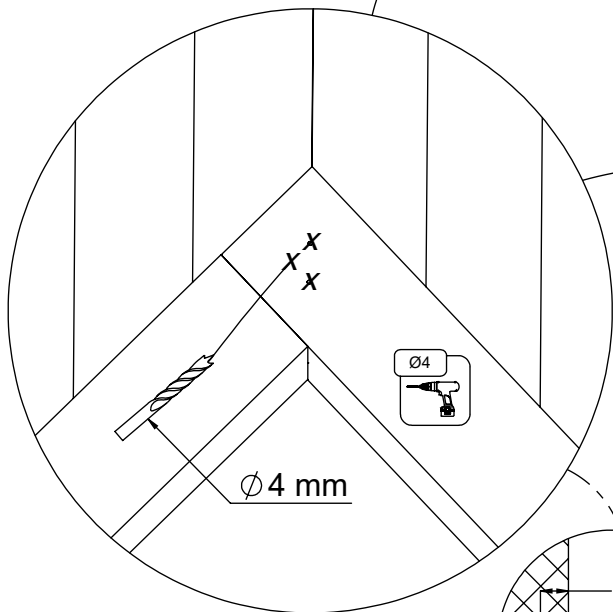
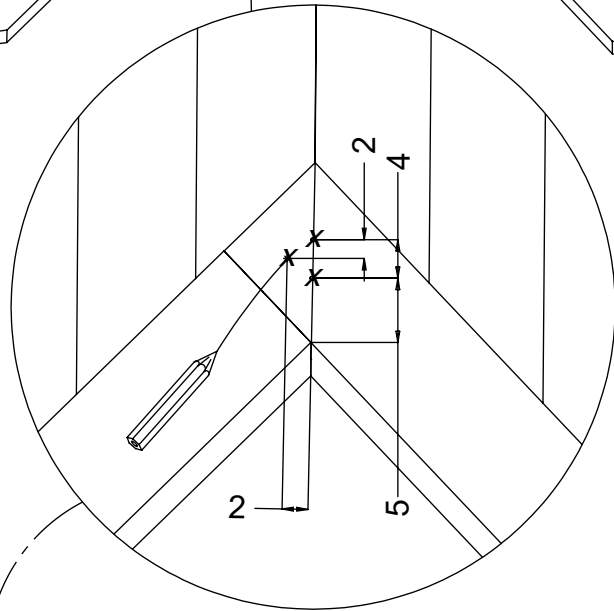
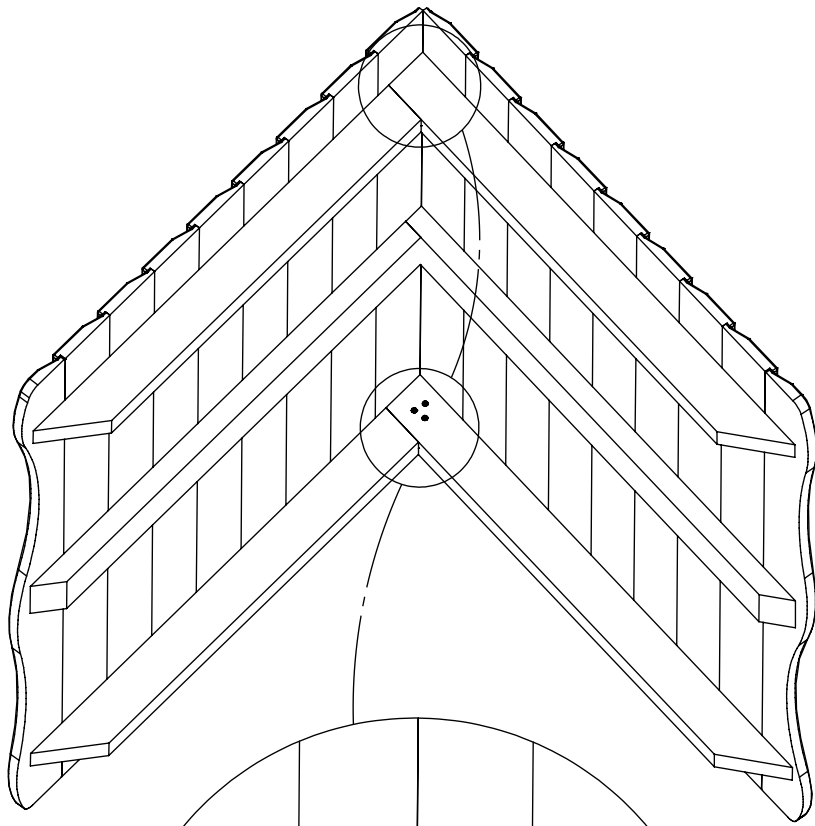
V





1x 12e004





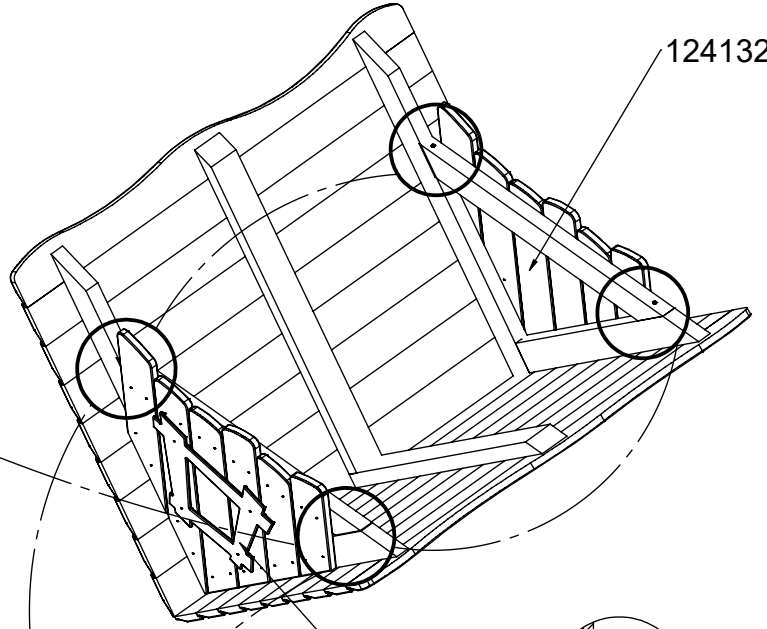
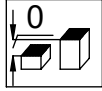
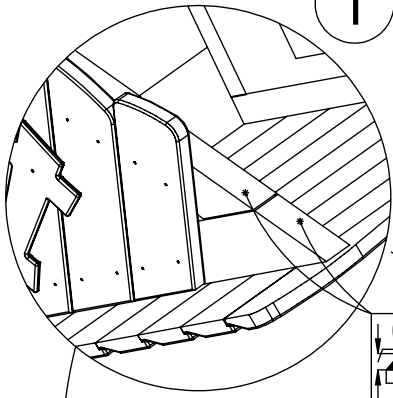
6x 7x35 sxi

[cm]

vinci
play

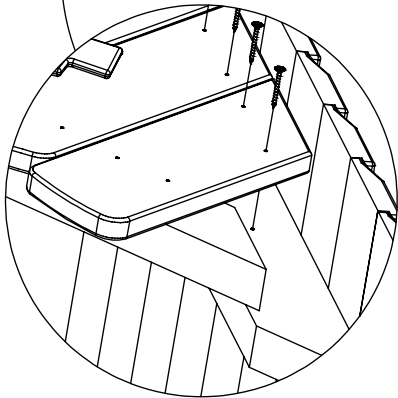
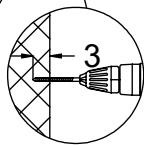
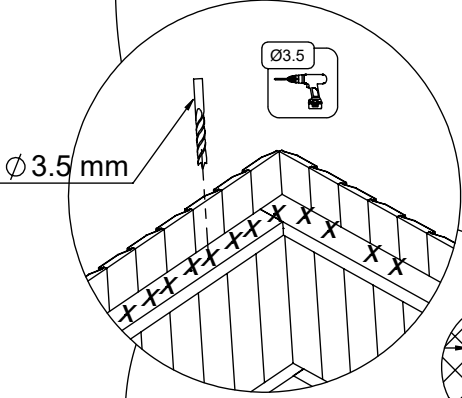
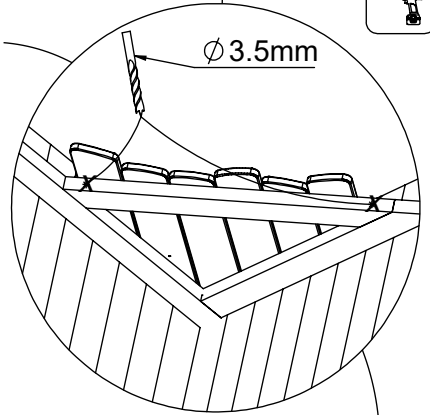
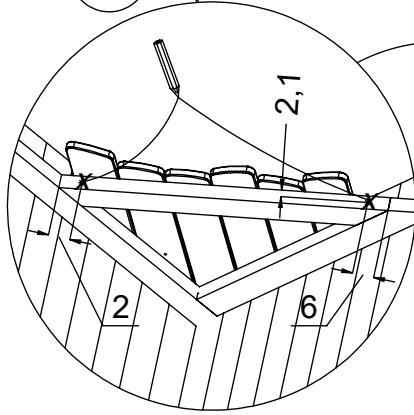
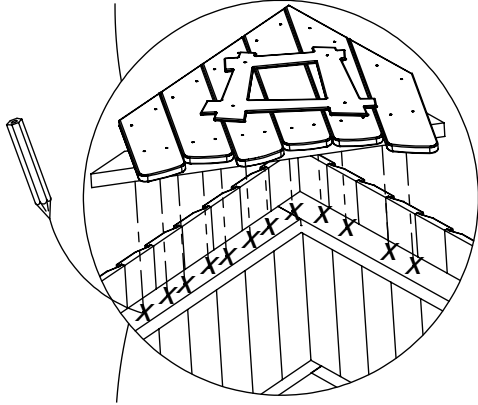
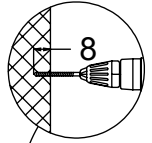
124132

1

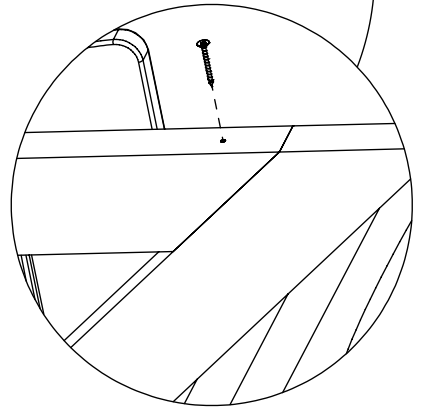


124135

2



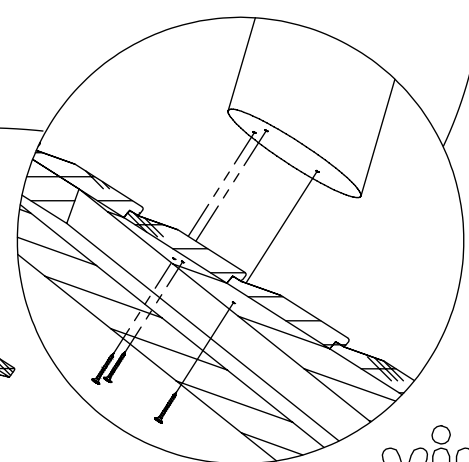
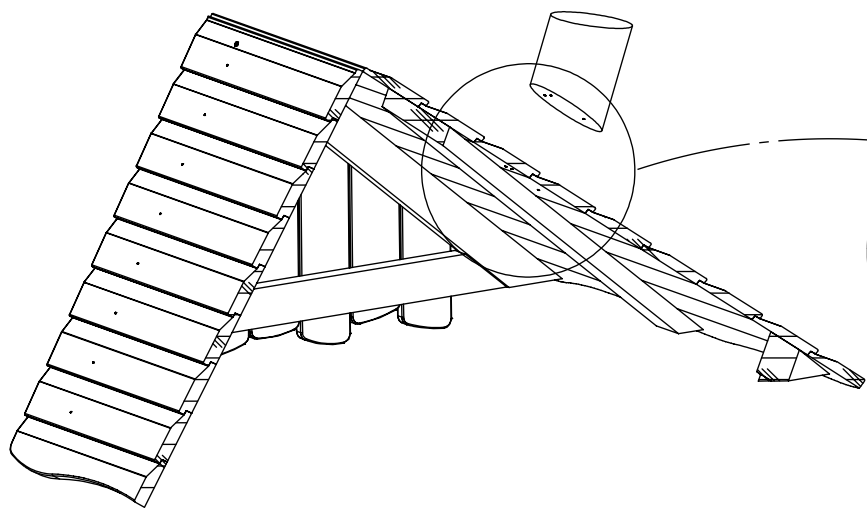
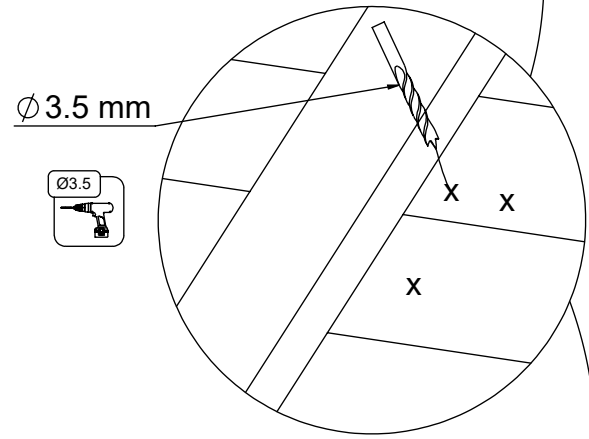
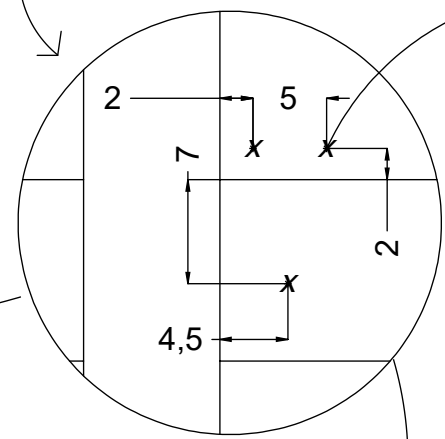
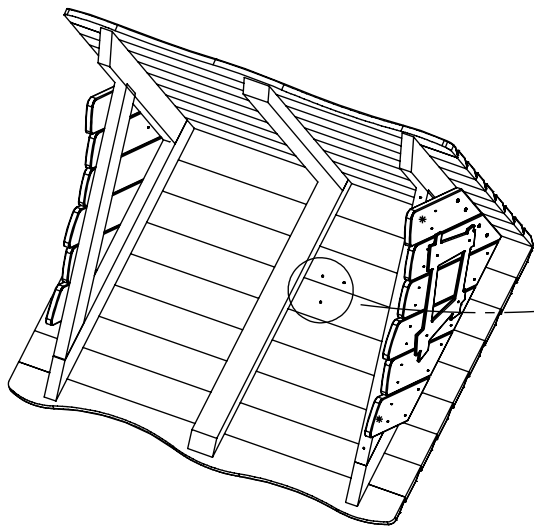
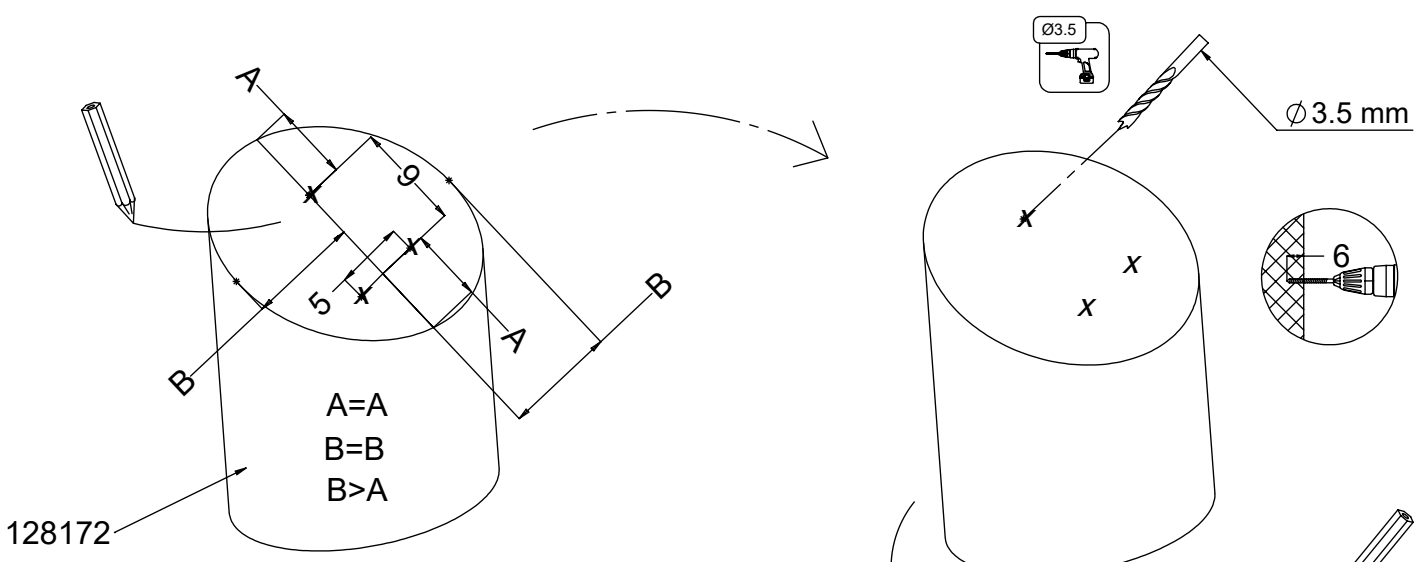
24x 5x50sxs



4x 5x80sxs

[cm]

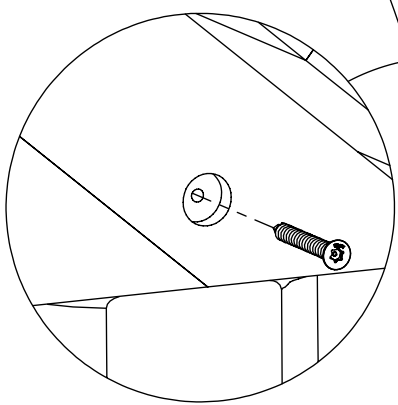
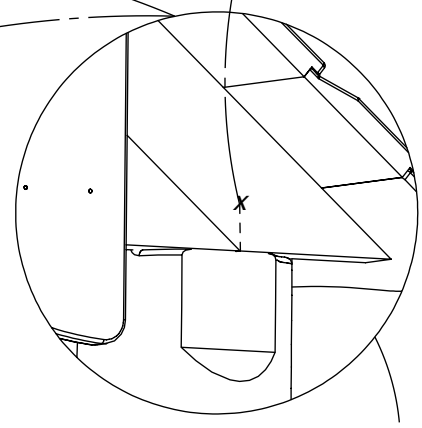
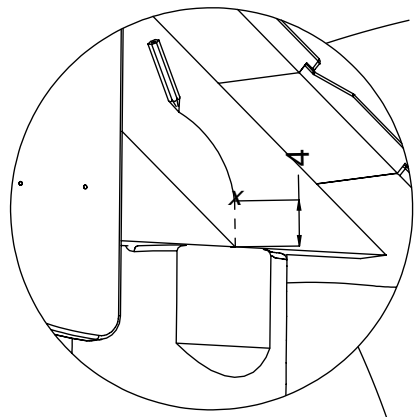
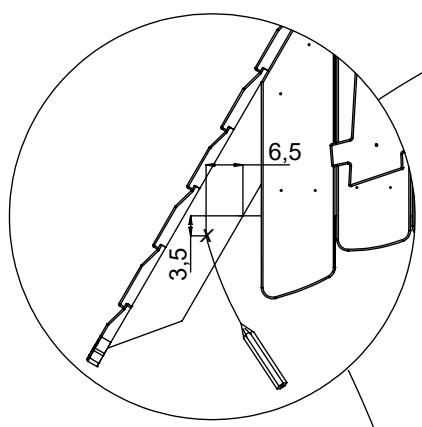
vinci play



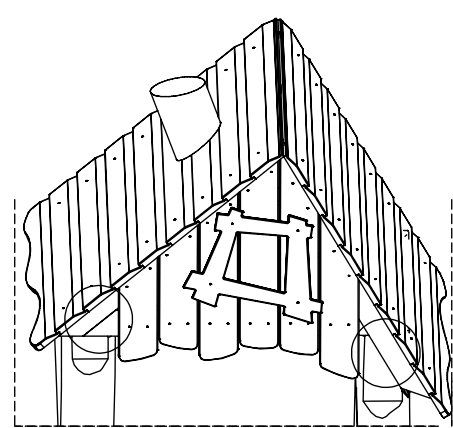
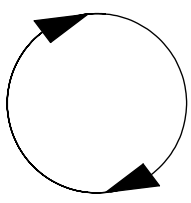
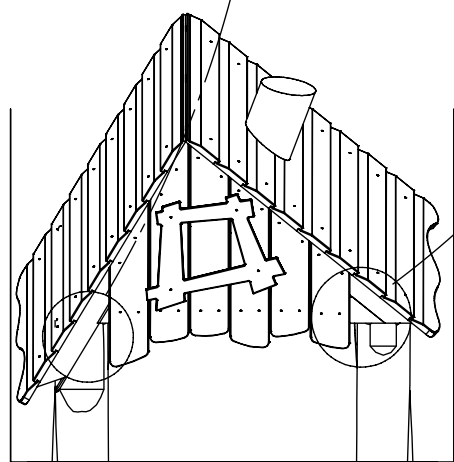
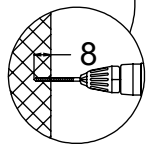
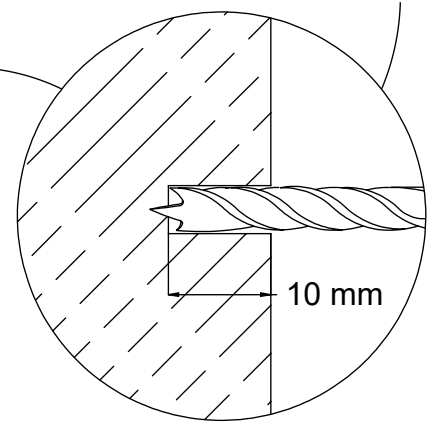
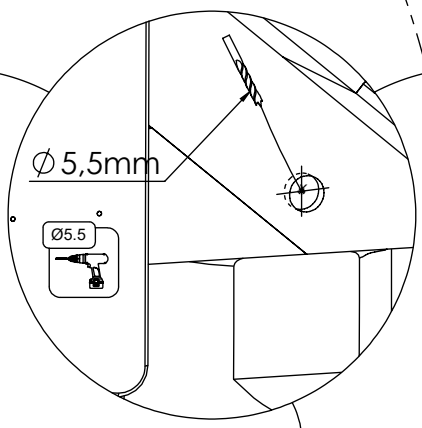
[cm]

vinci play

Ø24 mm

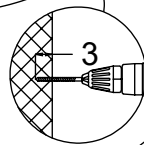
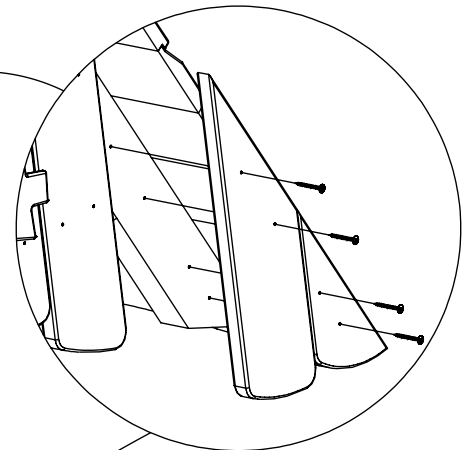
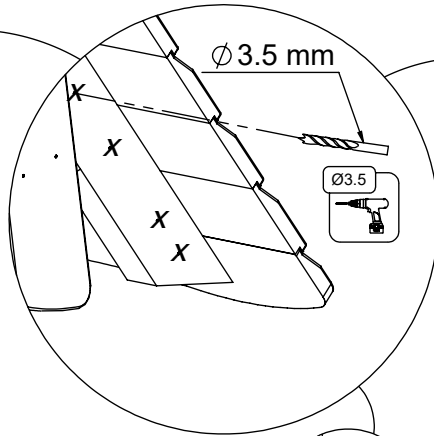
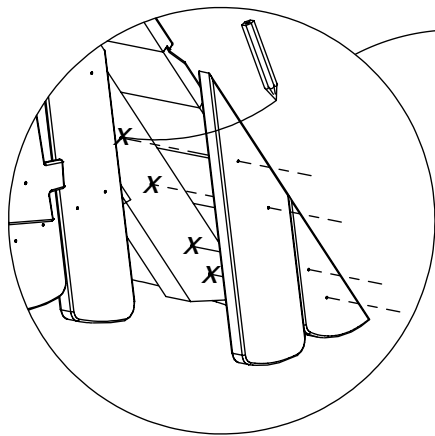


4x 8x80sxt

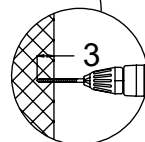
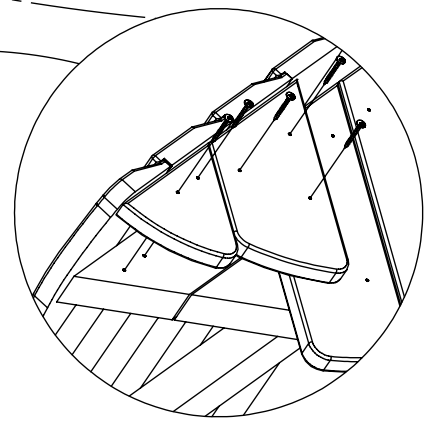
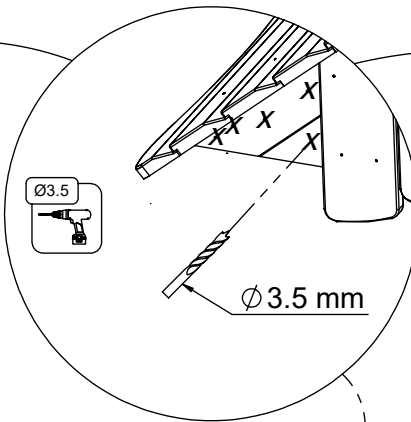
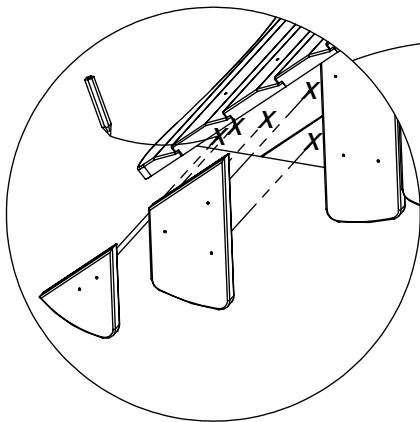
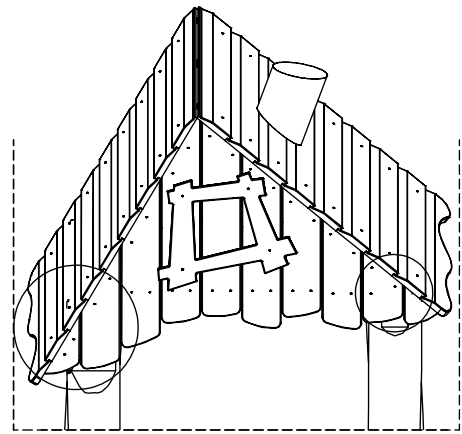
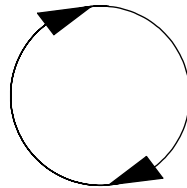
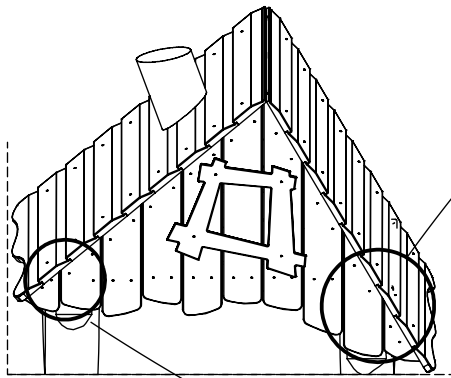


[cm]

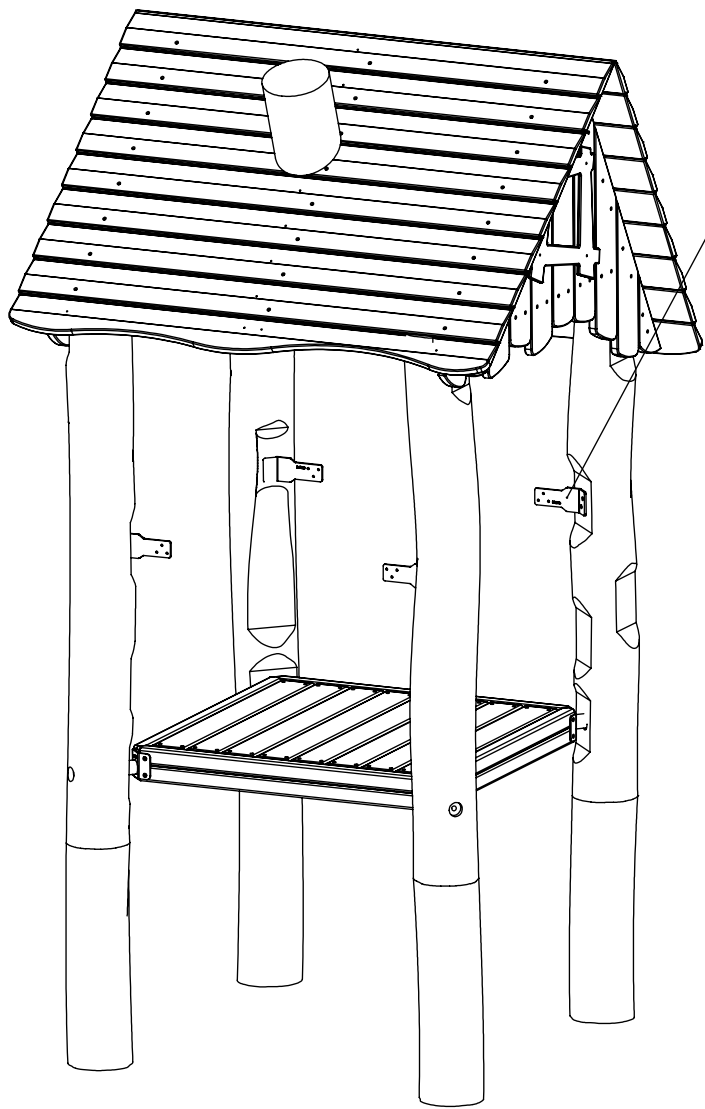
vinci play



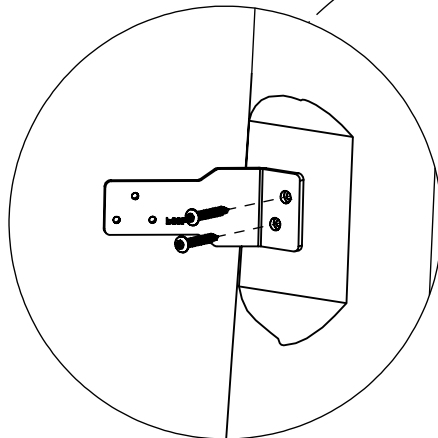
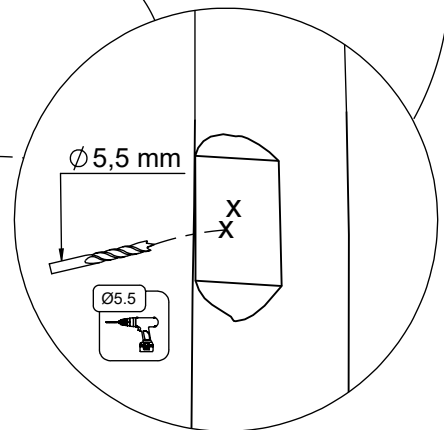
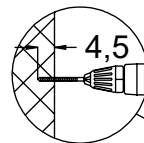
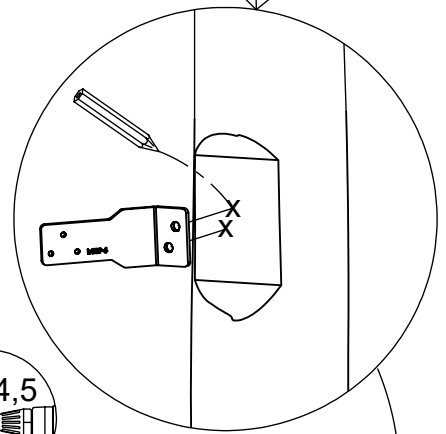
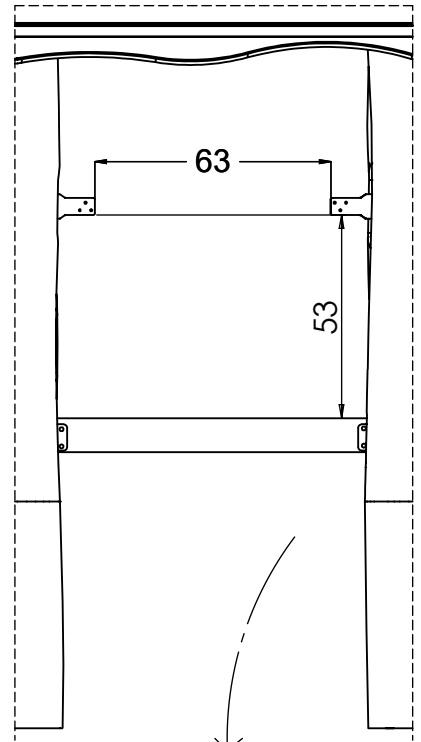
8x 5x50sxs



10x 5x50sxs



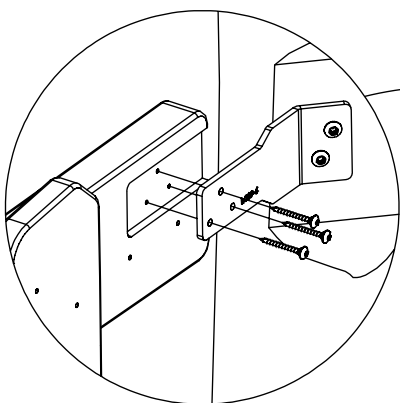
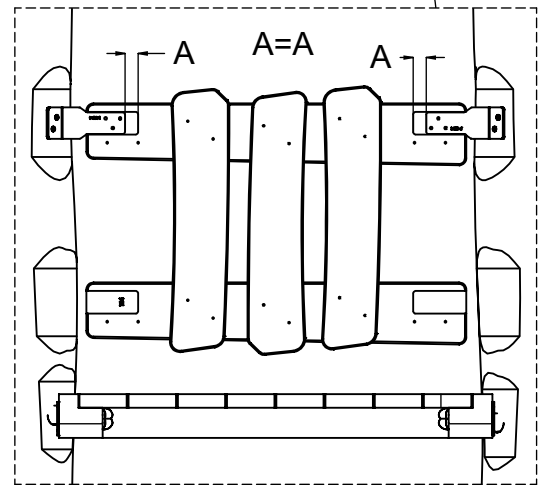
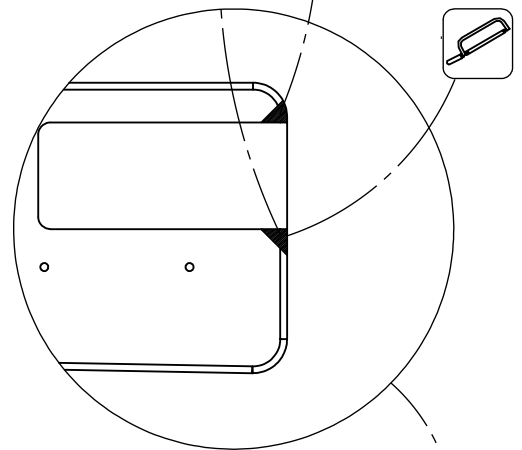
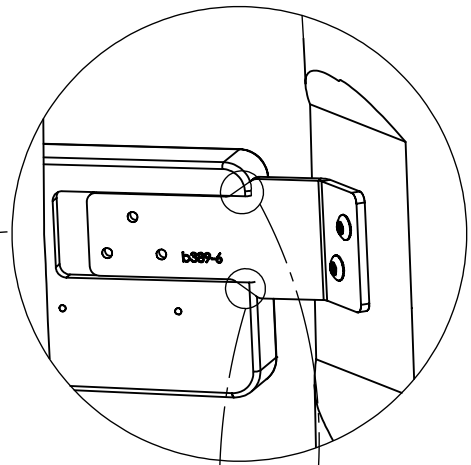
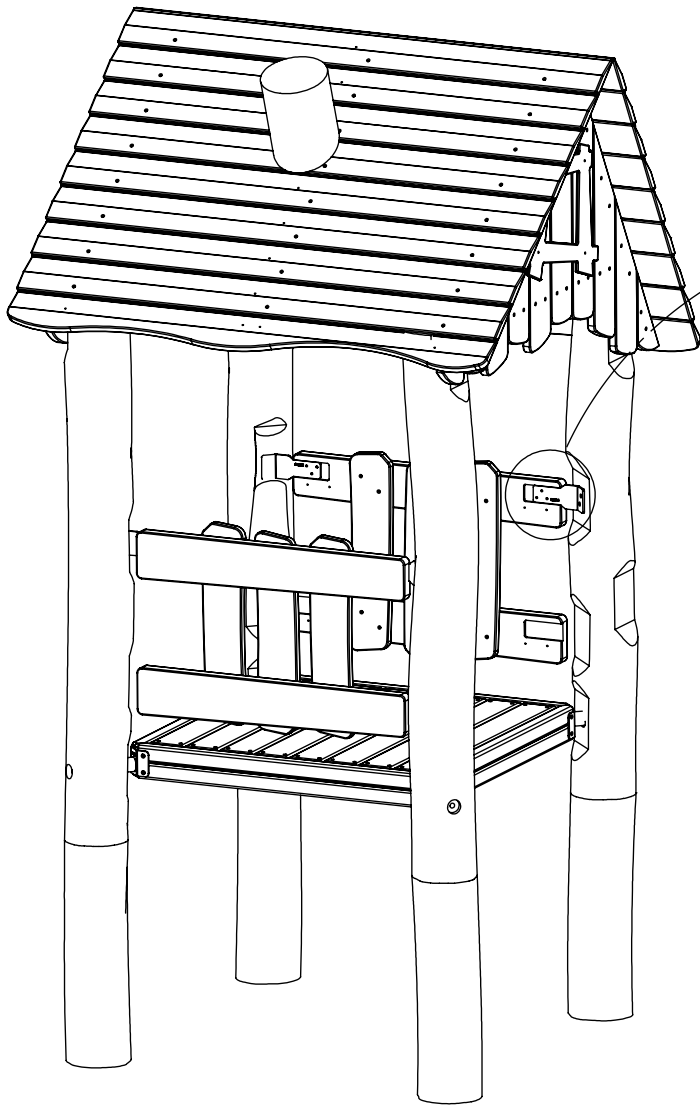
4x b389



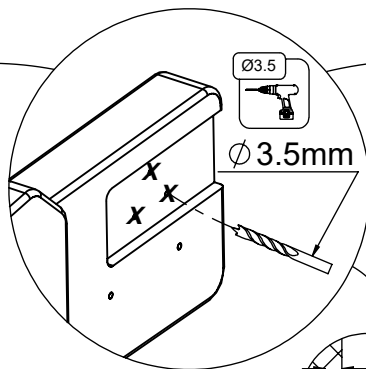
8x 8x50sxi

[cm]

vinci
play

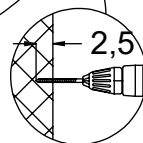


12x 5x30sxs

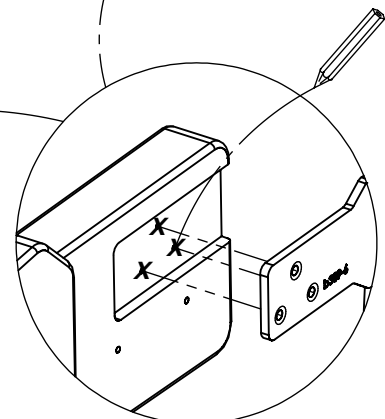


Ø3.5

Ø 3.5mm

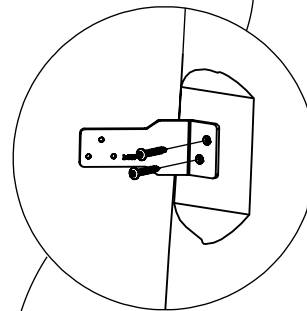
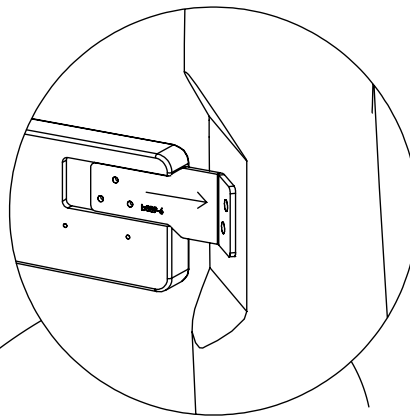
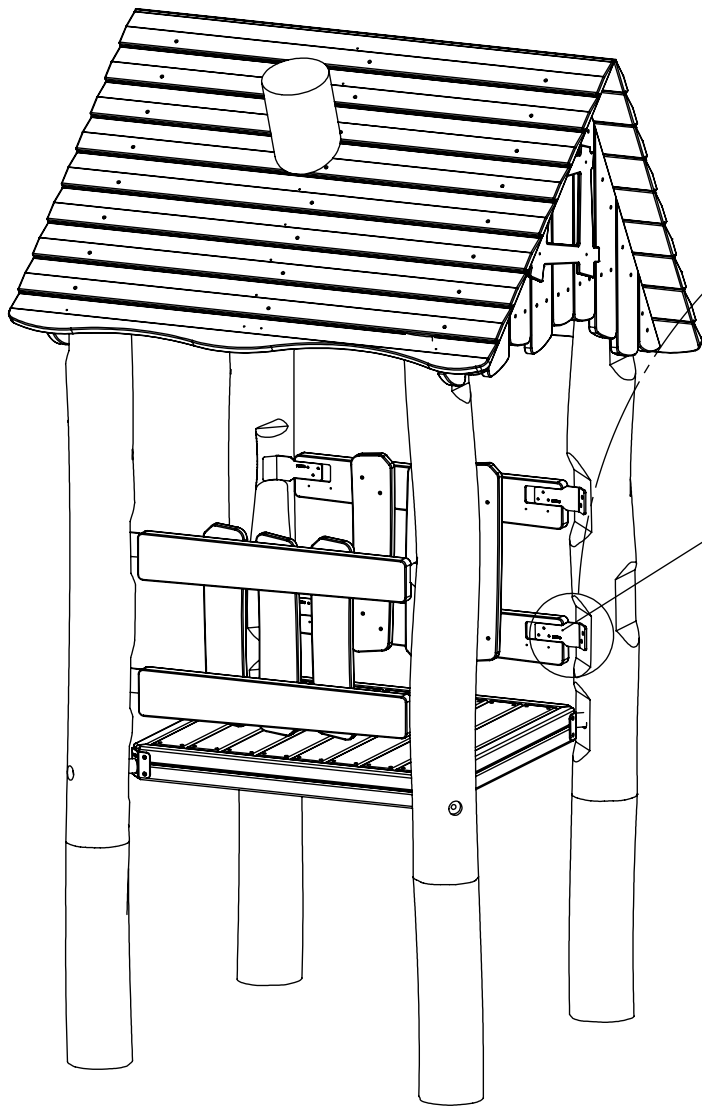


2,5



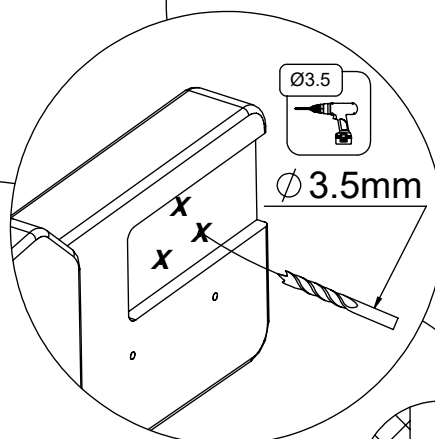
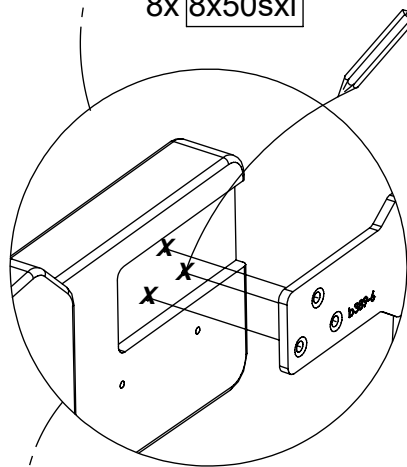
[cm]

vinci
play



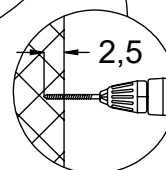
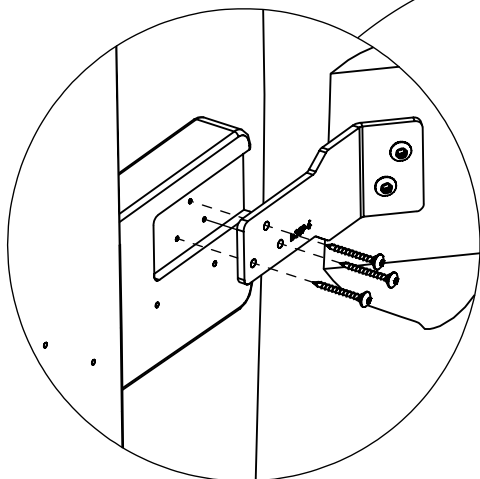
4x b389

8x 8x50sxi



Ø3.5

Ø 3.5mm

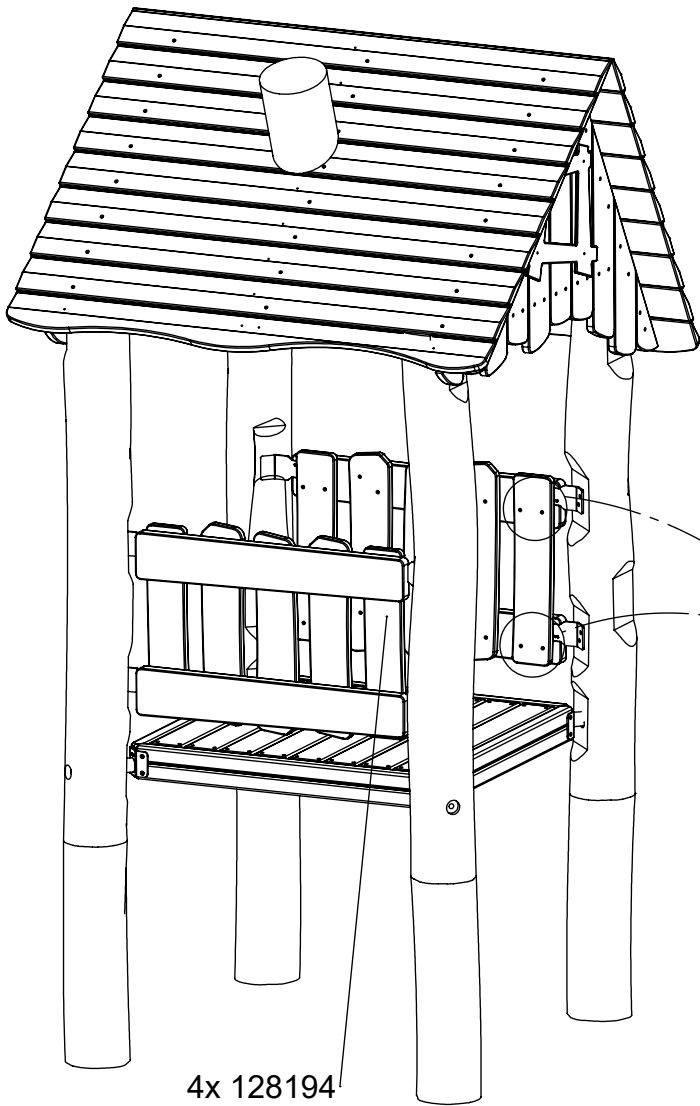


2,5

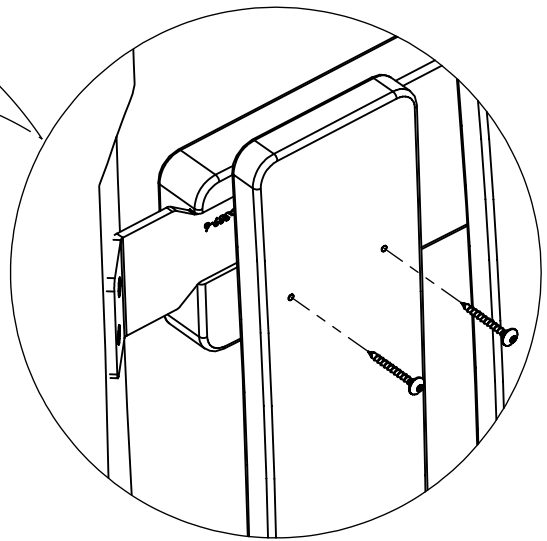
[cm]

12x 5x30sxs

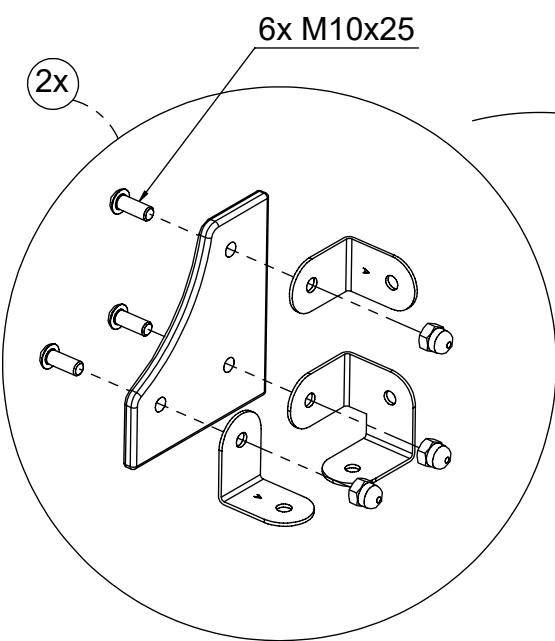
vinci
play



4x 128194

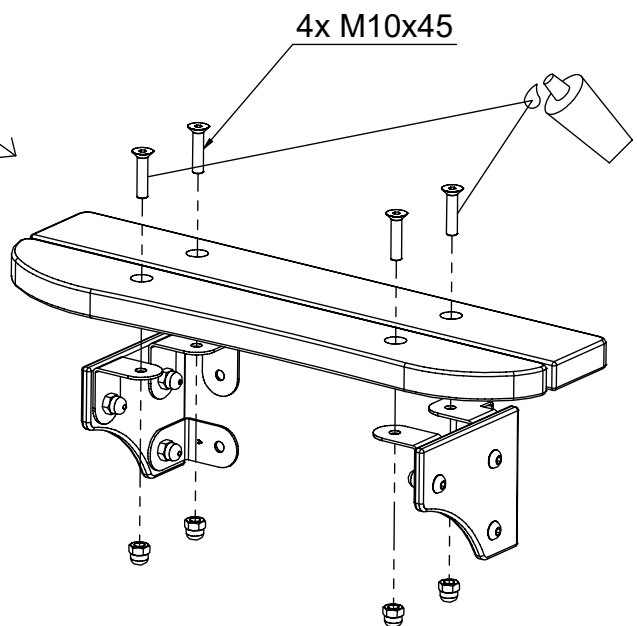


16x 5x50sxs



6x M10x25

2x



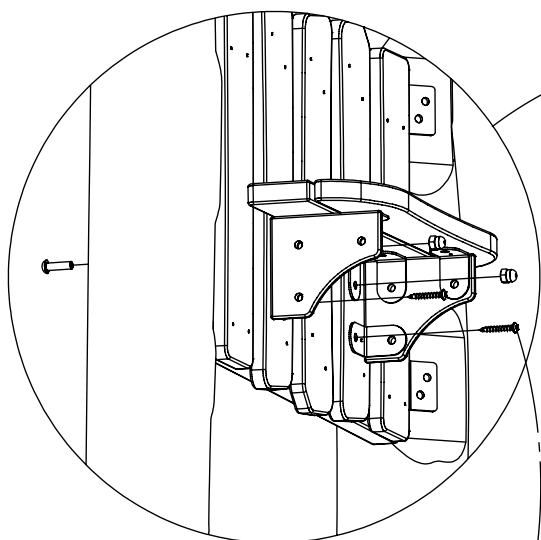
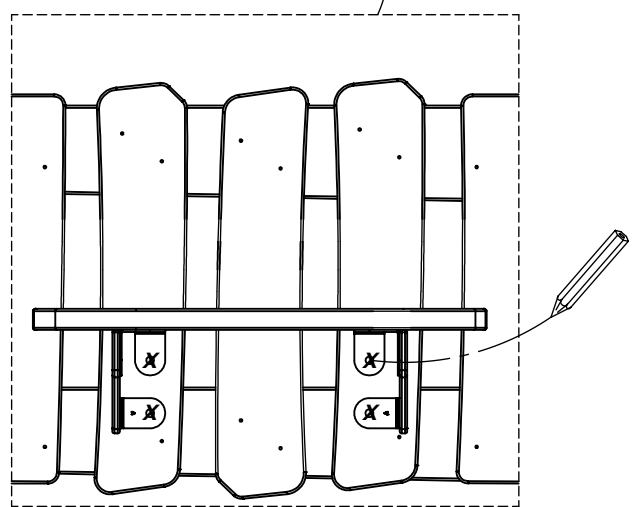
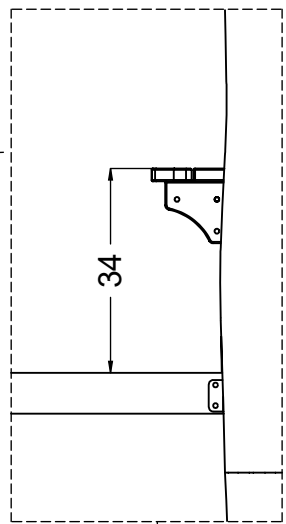
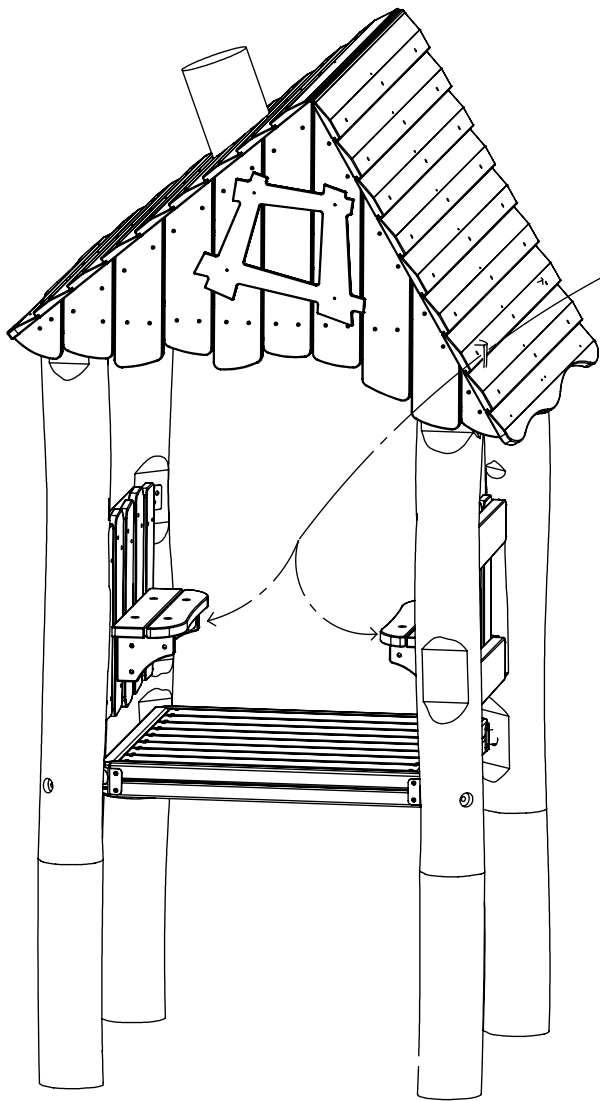
4x M10x45

x2

1x 12e014

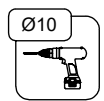
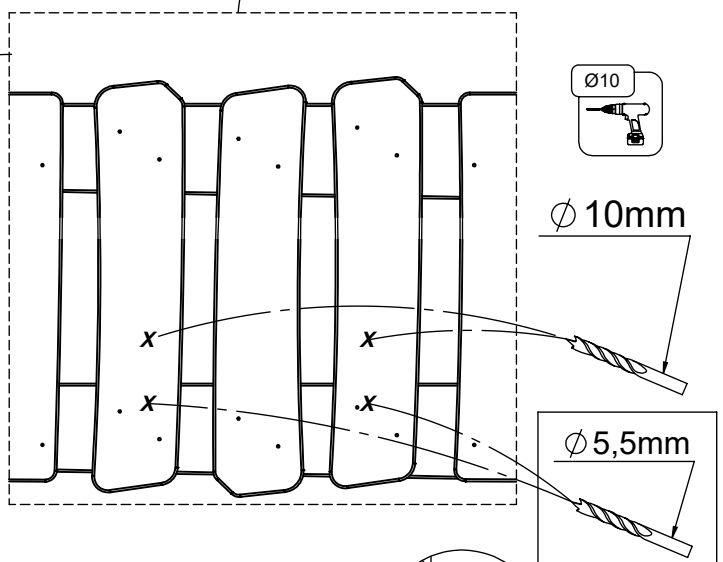
[cm]

vinci
play



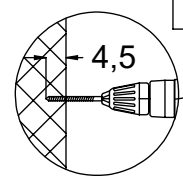
12e014

4x 8x50sxi



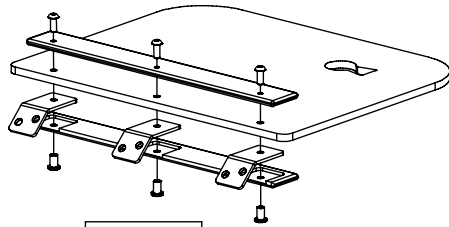
$\varnothing 10$ mm

$\varnothing 5,5$ mm

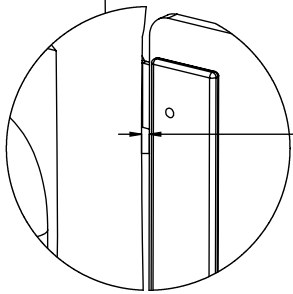
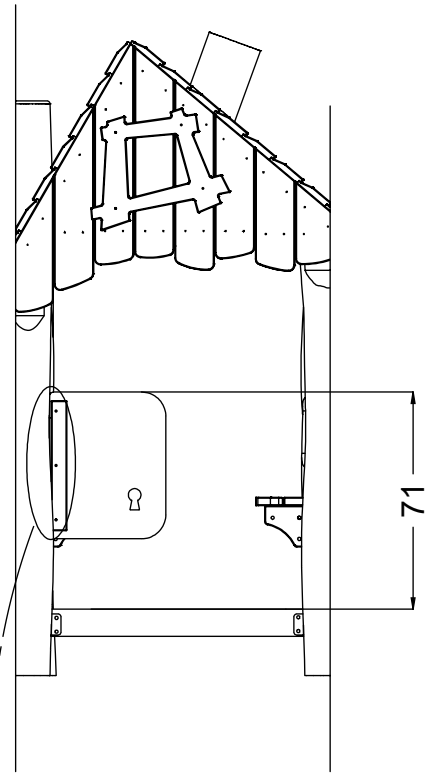
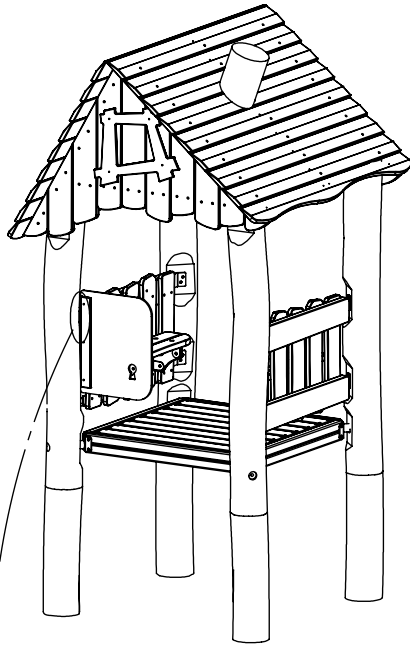


[cm]

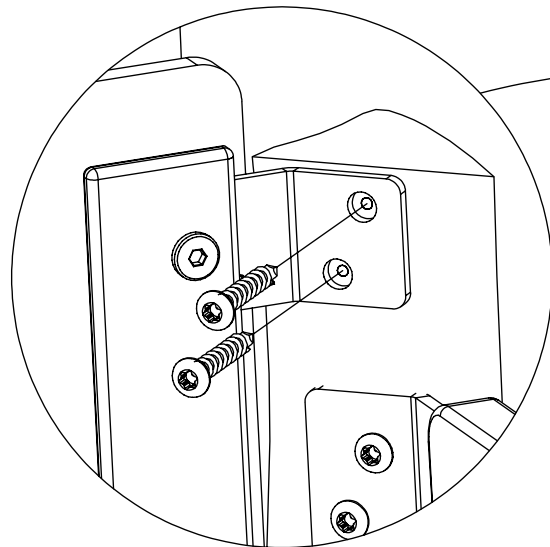
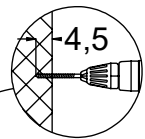
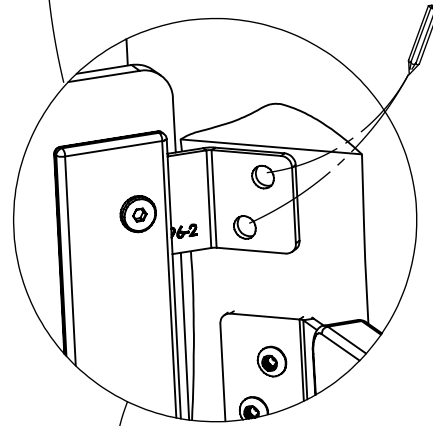
vinci
play



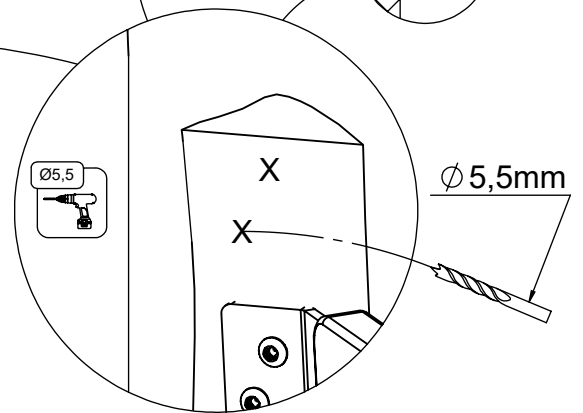
1x 12e081



0,5 max

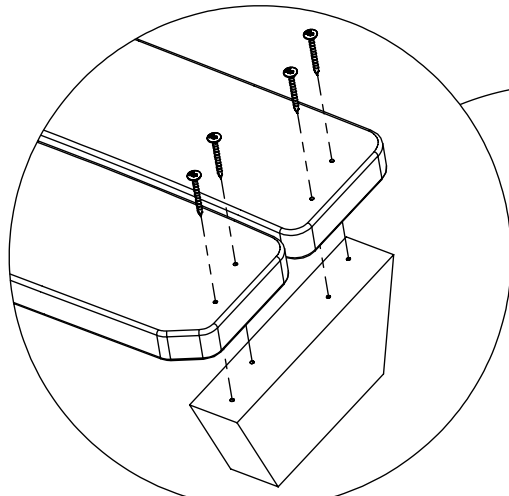
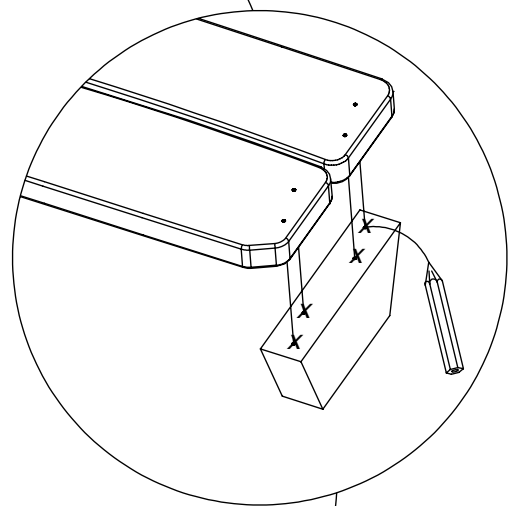
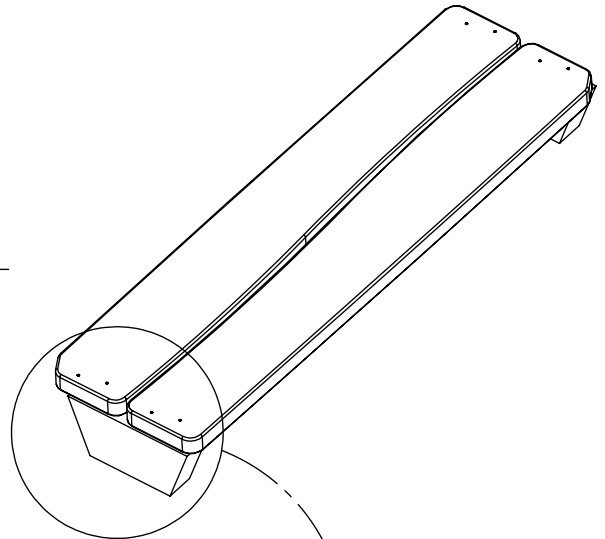
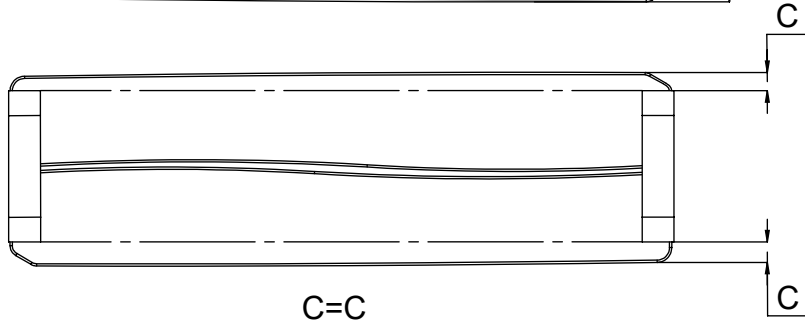
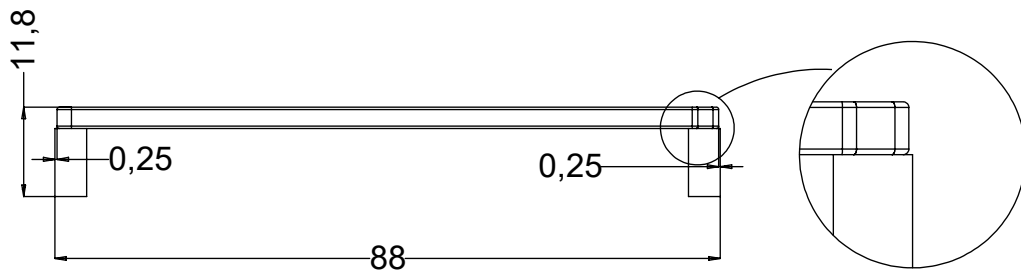


6x 8x50sxi

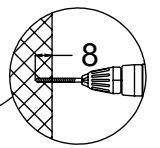
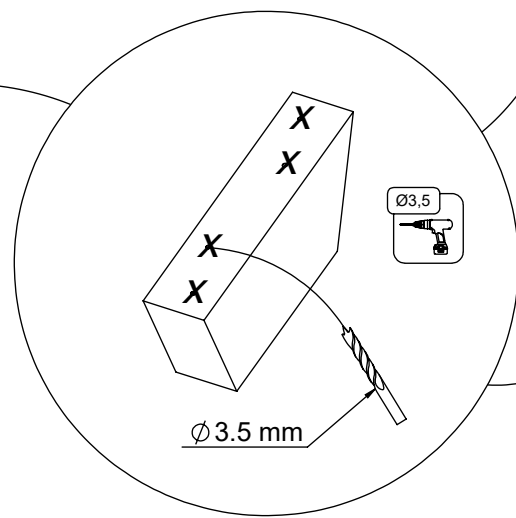


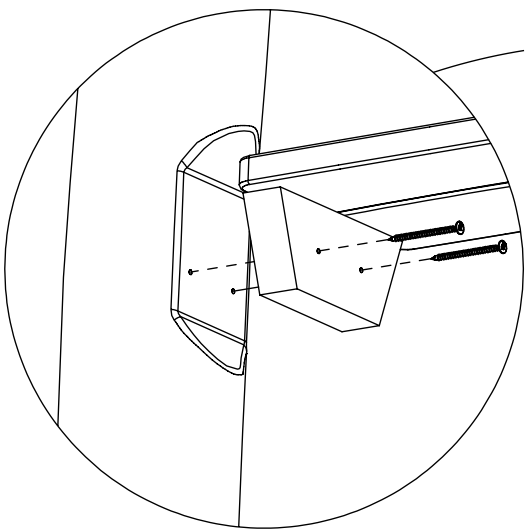
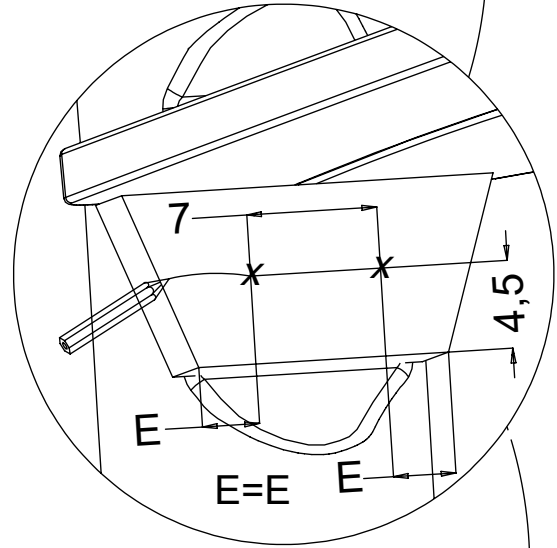
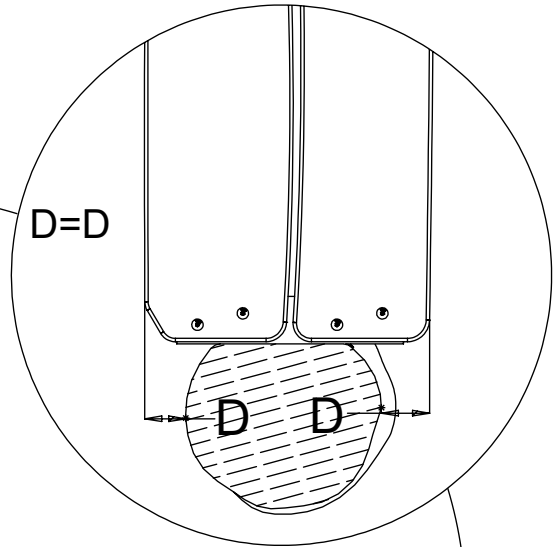
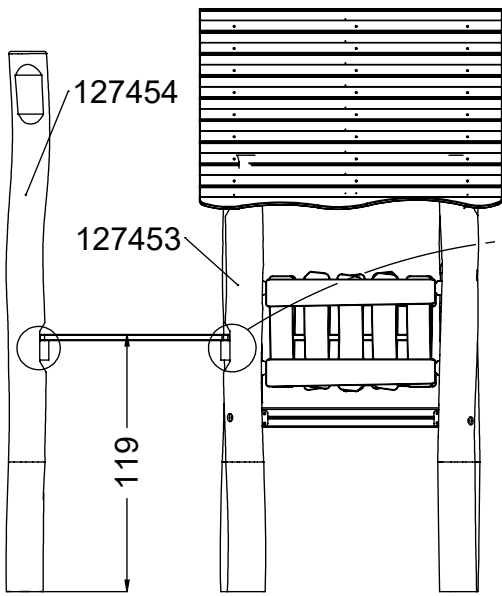
[cm]

vinci
play

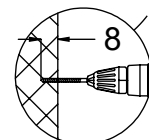
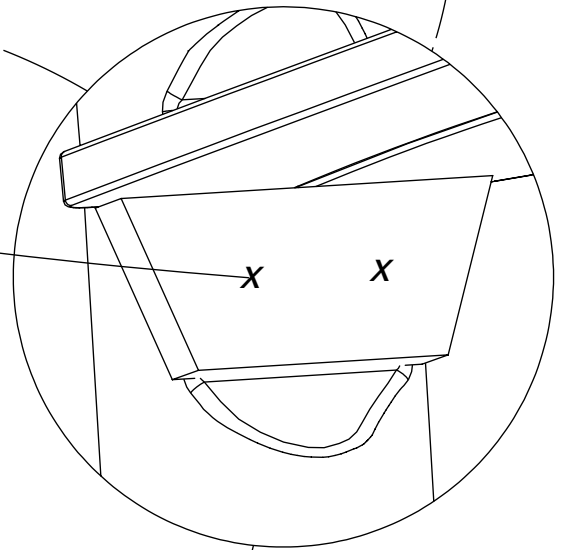
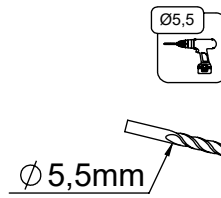


8x 5x80sxs



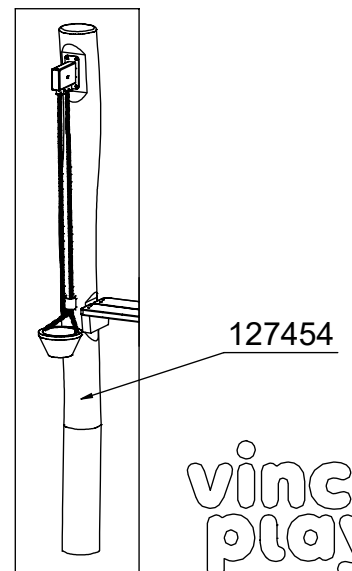
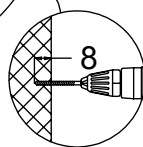
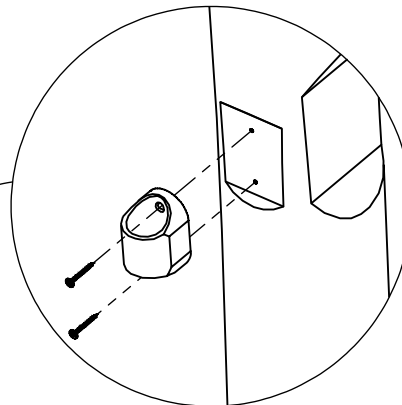
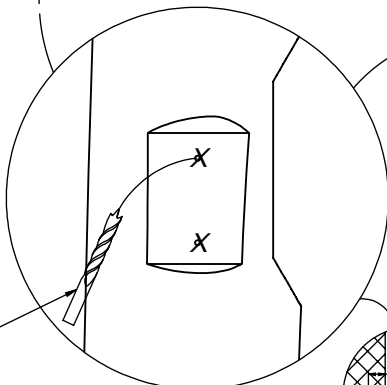
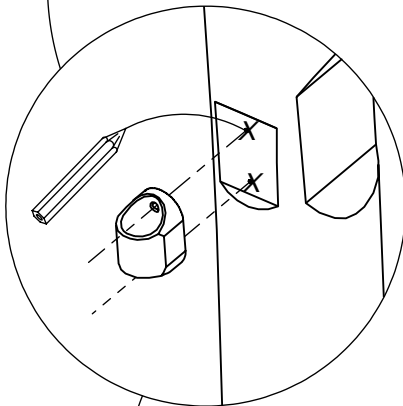
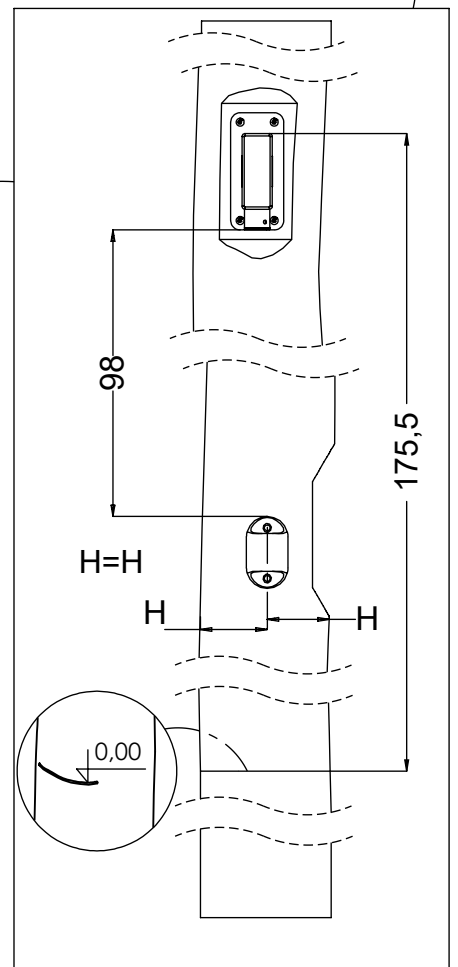
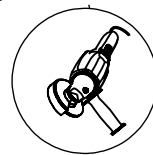
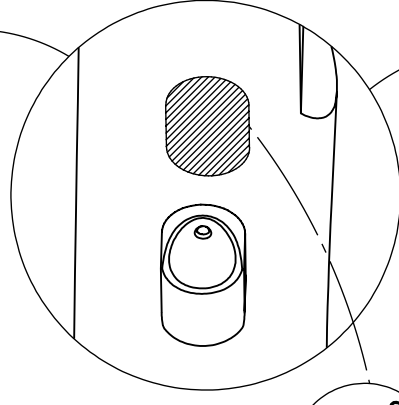
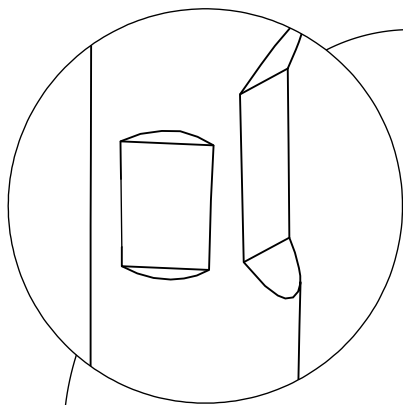
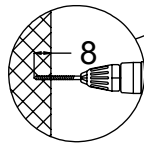
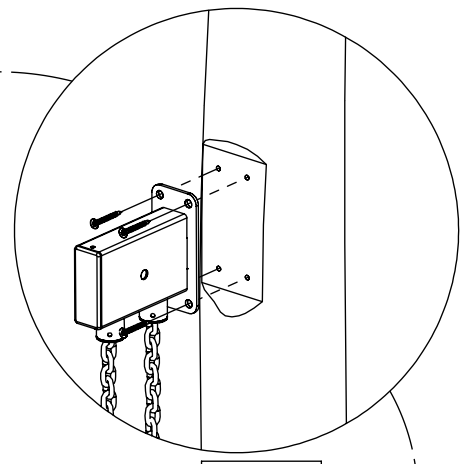
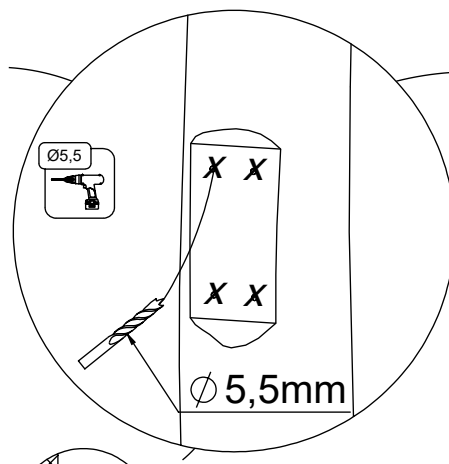
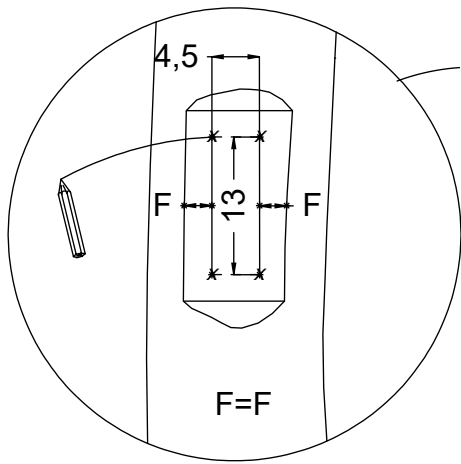


4x 8x80sxt



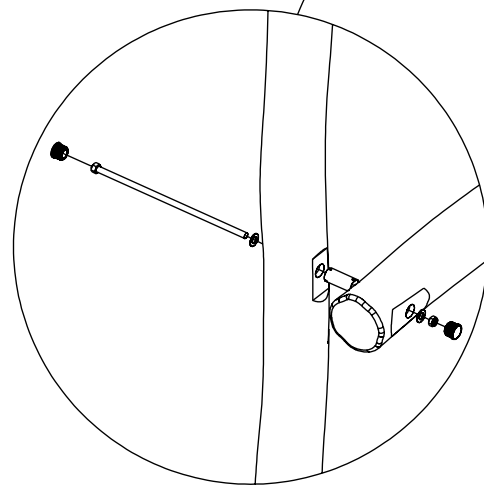
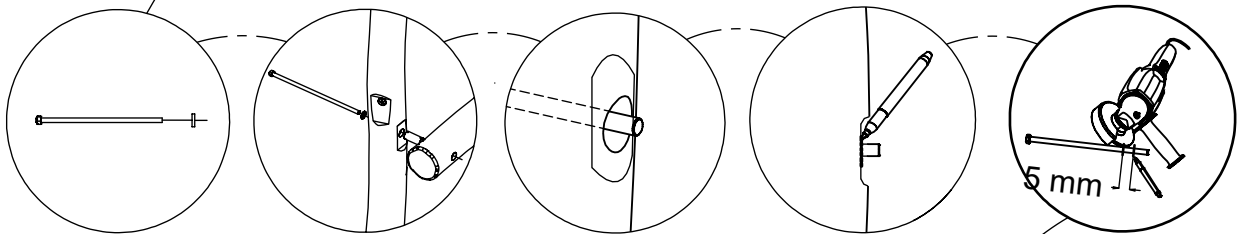
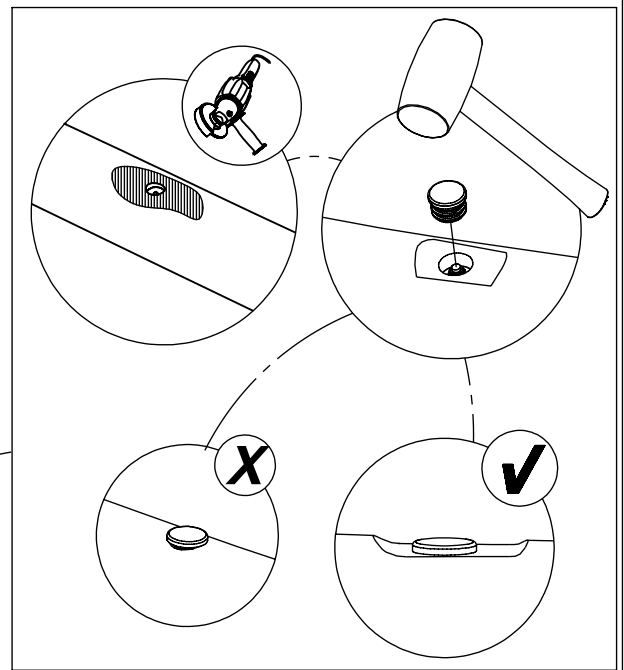
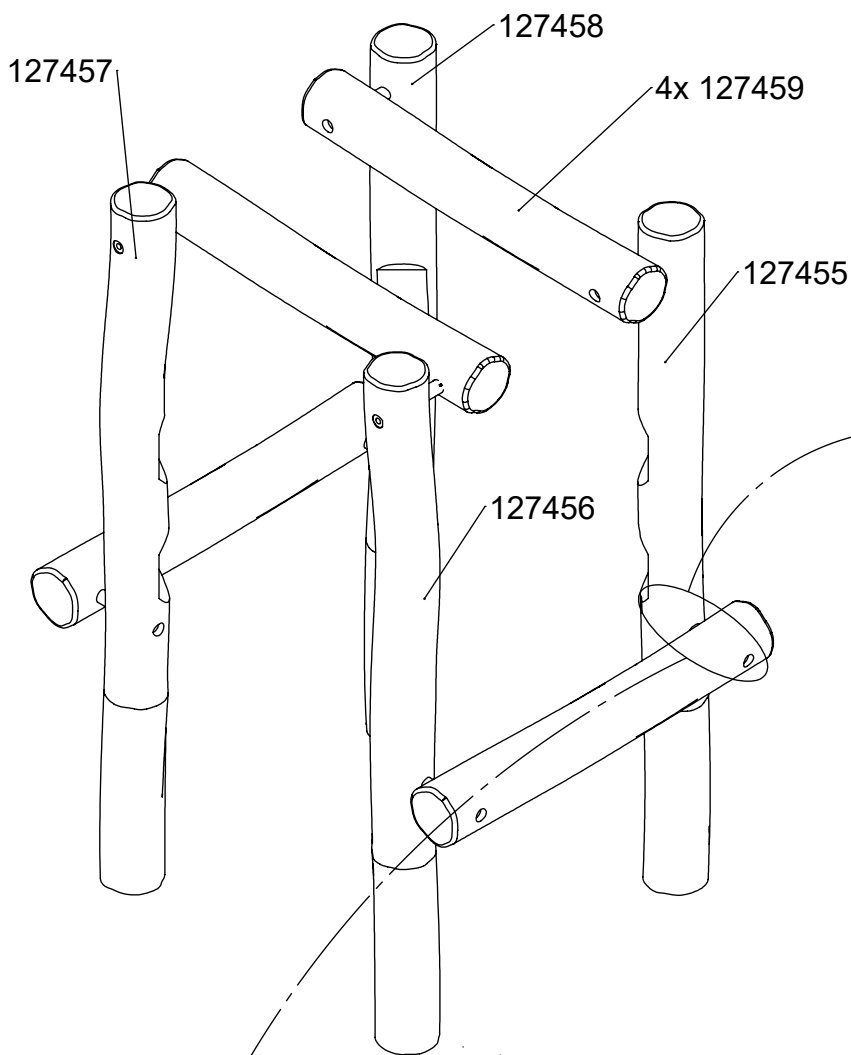
[cm]

vinci
play

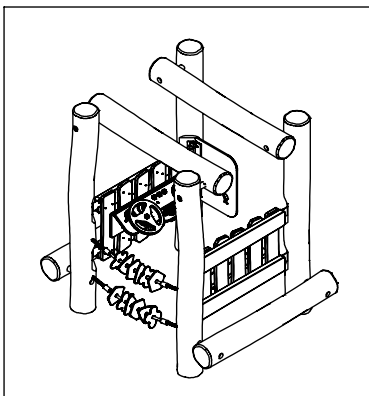


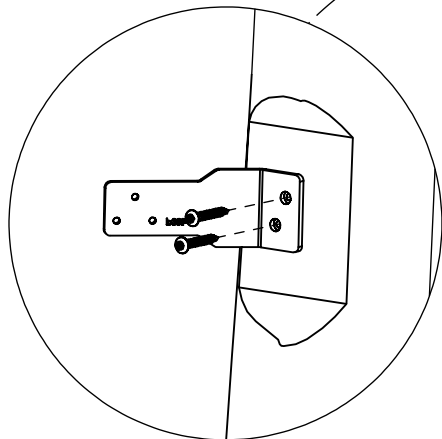
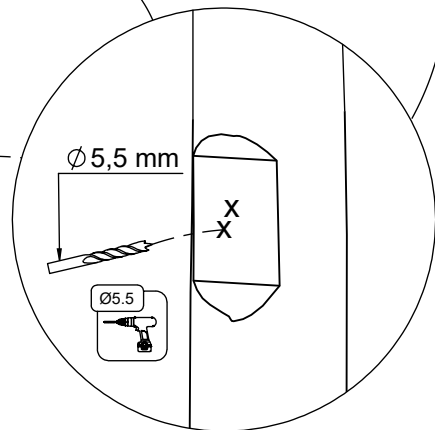
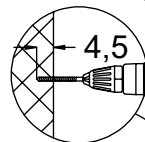
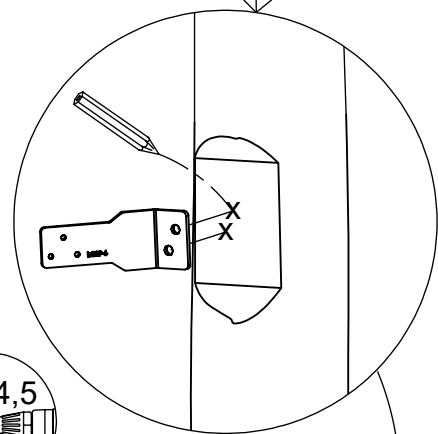
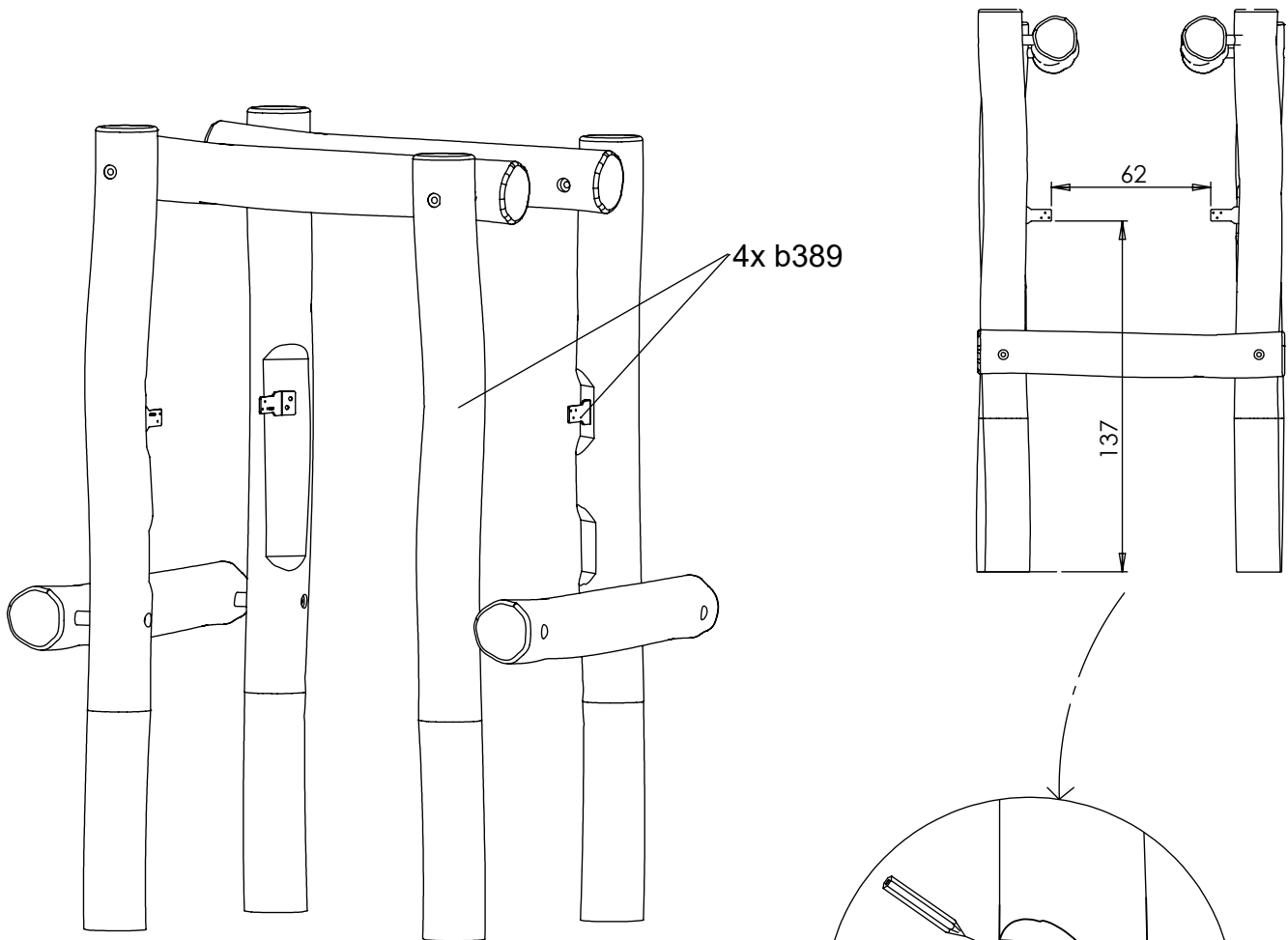
vinci
play

[cm]



4x 12e022

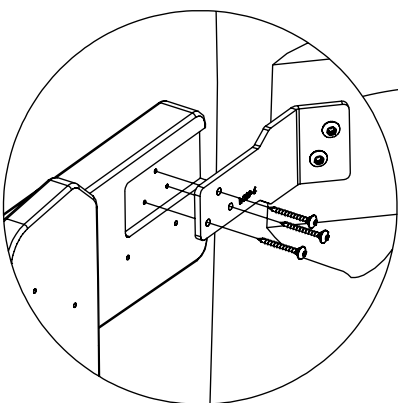
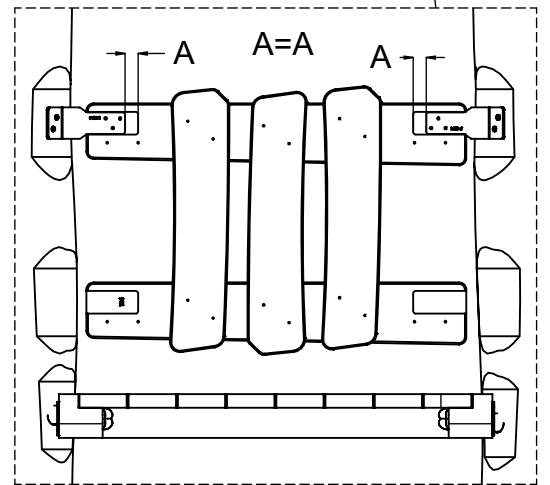
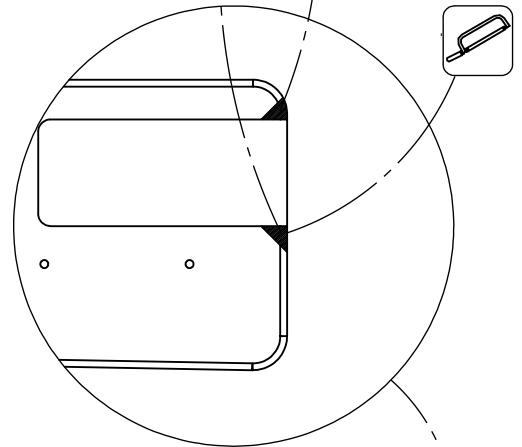
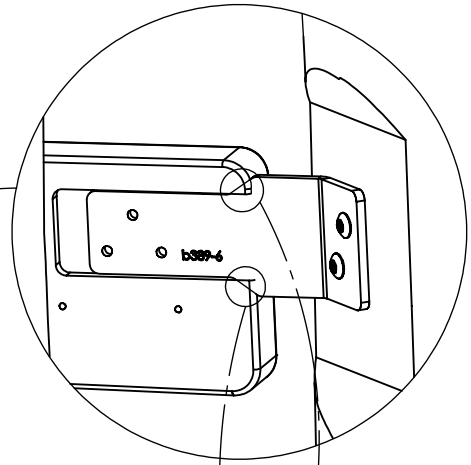
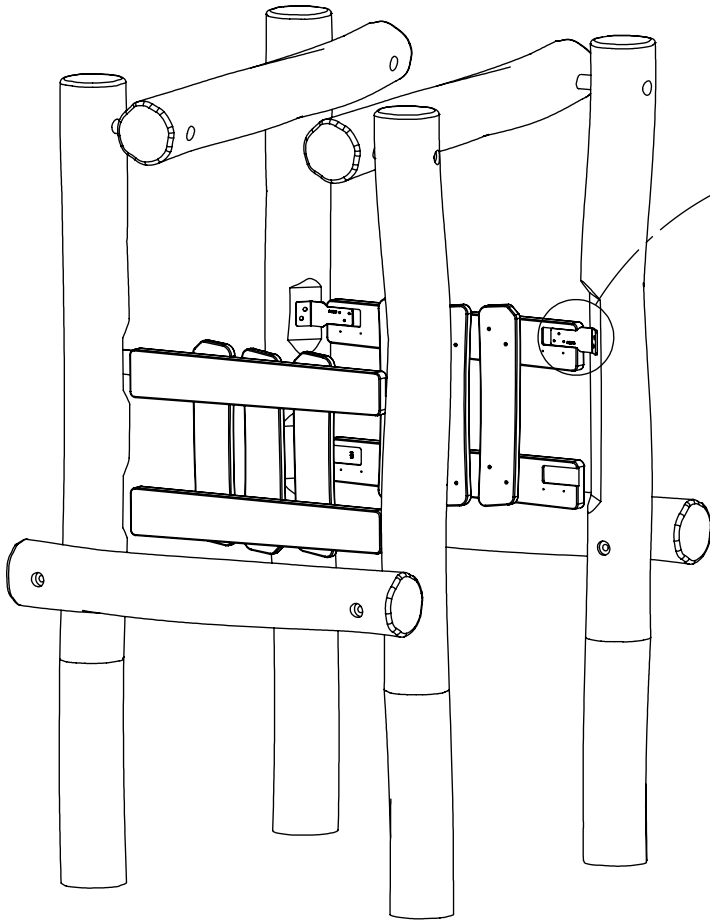




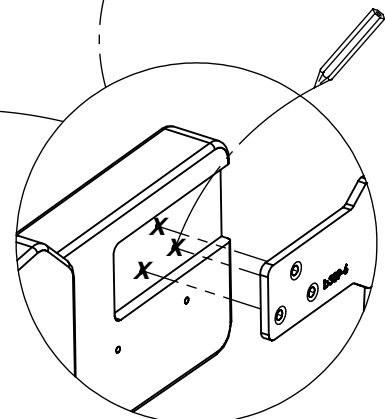
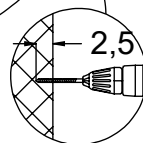
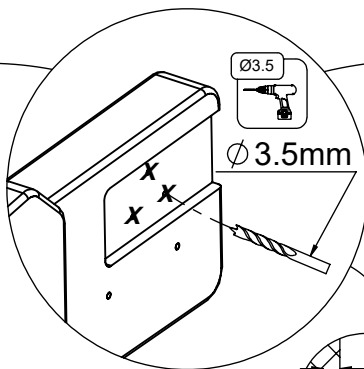
8x 8x50sxi

[cm]

vinci
play

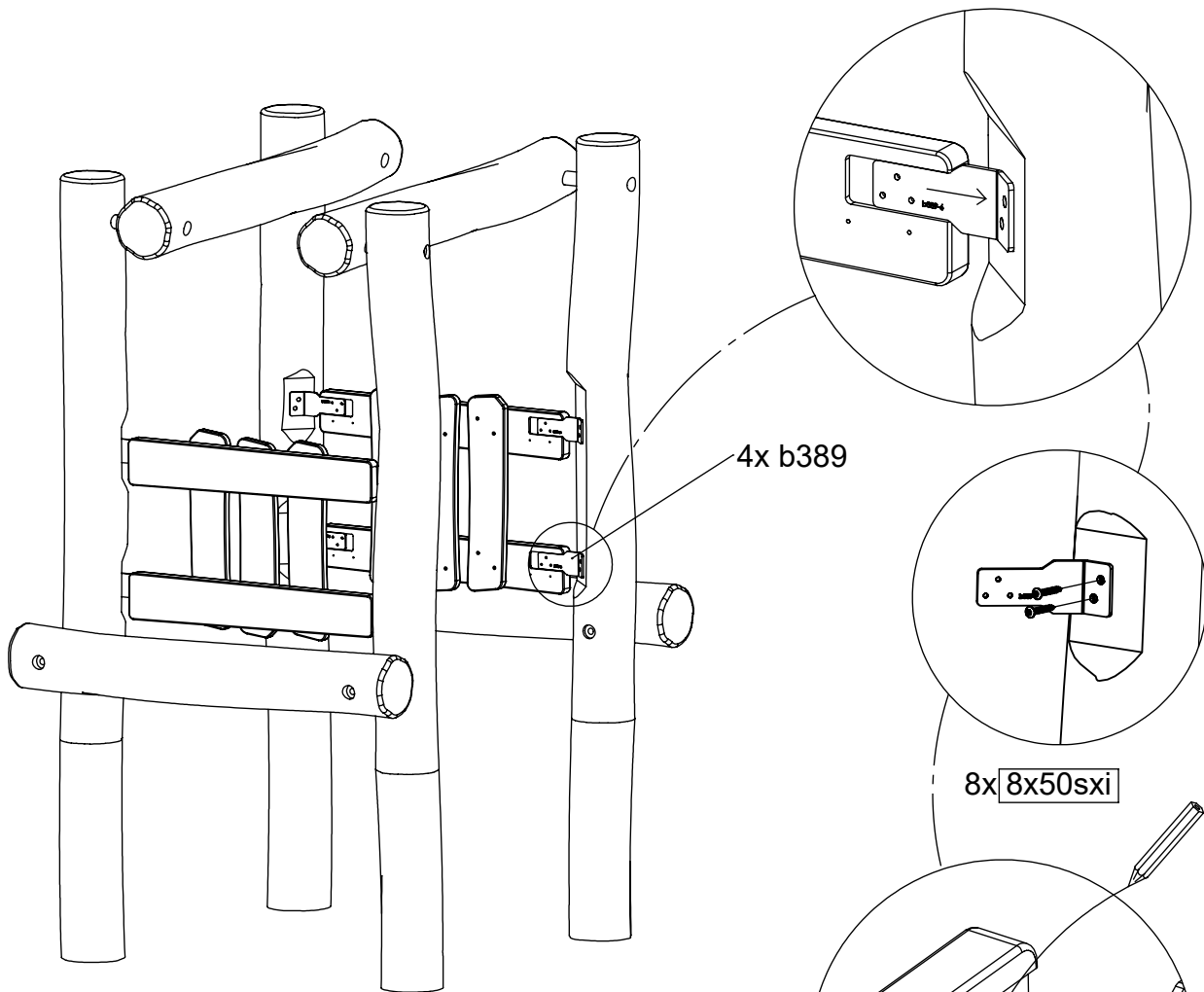


12x 5x30sxs

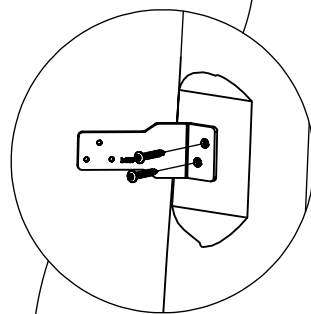
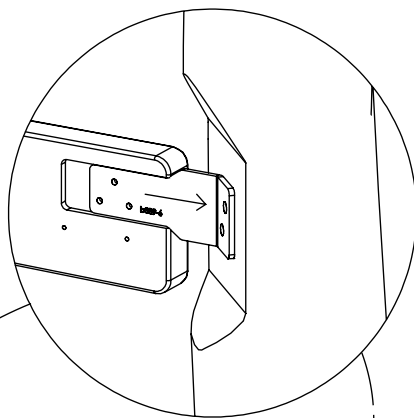


[cm]

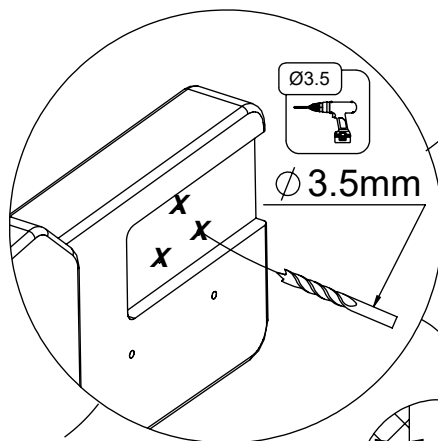
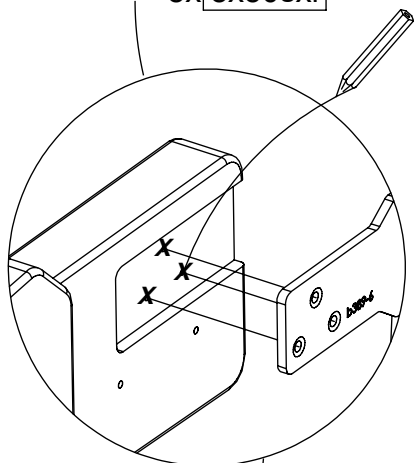
vinci
play



4x b389

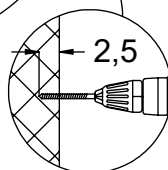


8x 8x50sxi

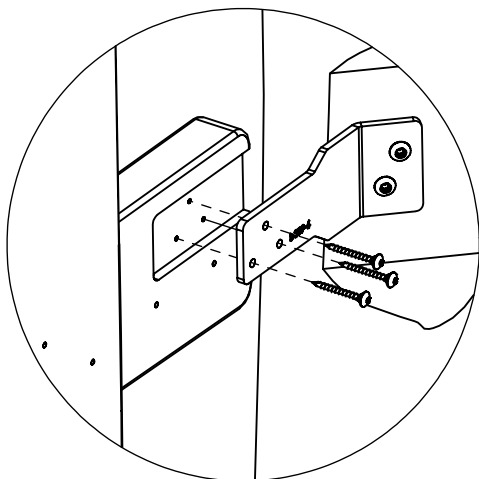


Ø3.5

Ø 3.5mm



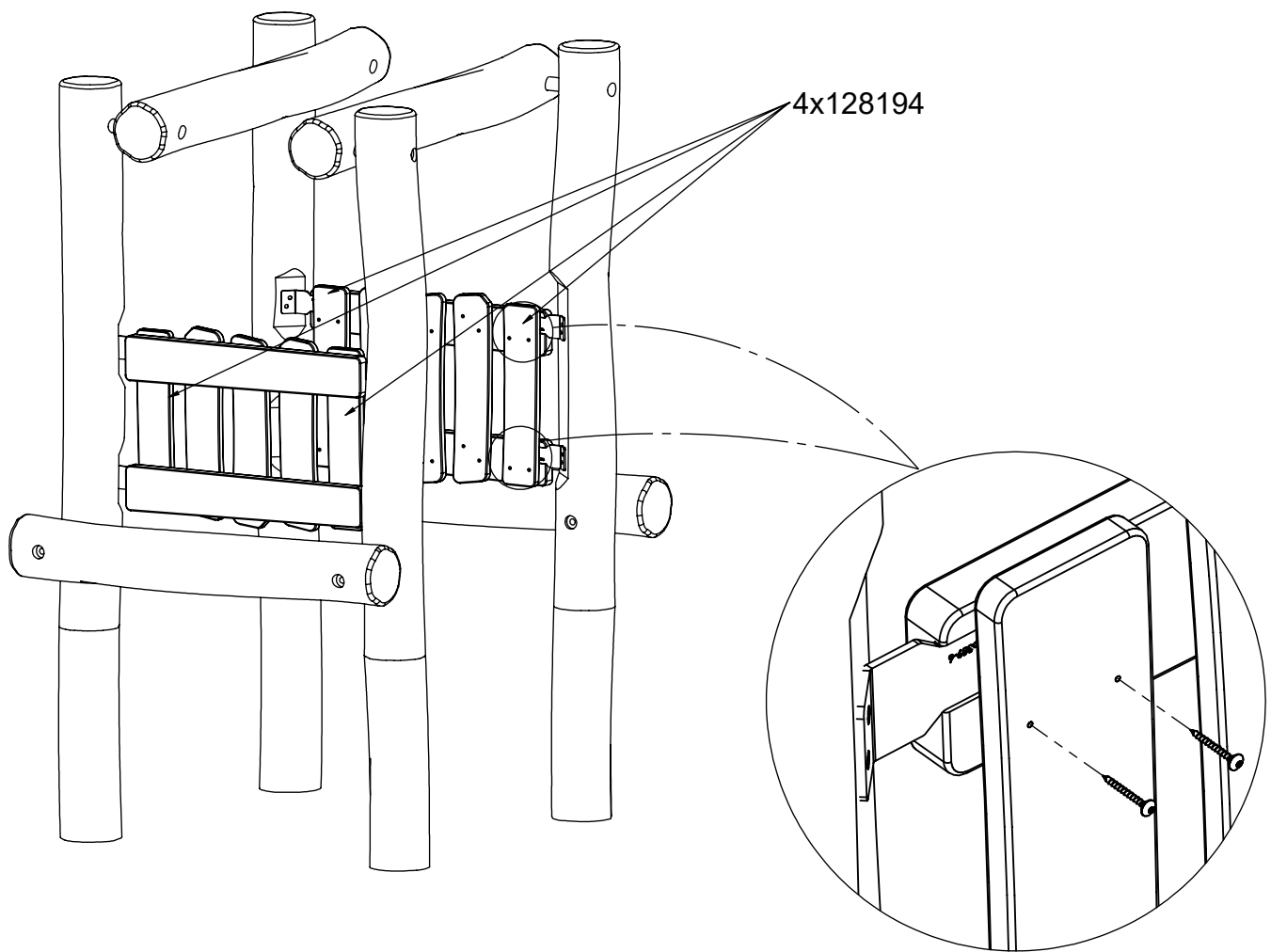
2,5



12x 5x30sxs

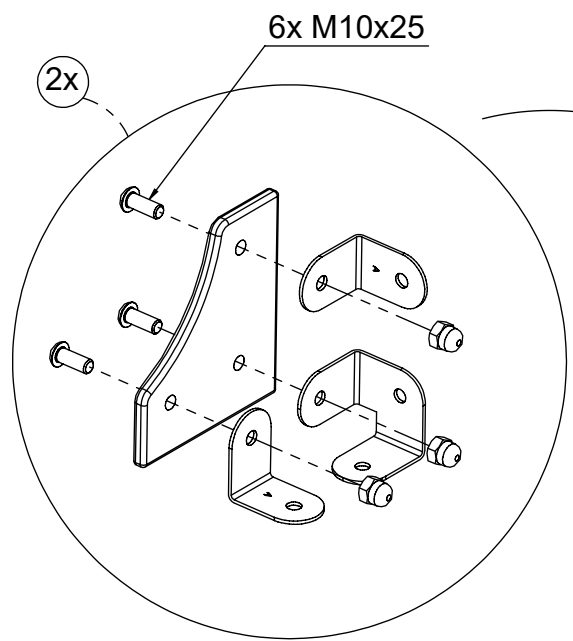
[cm]

vinci
play



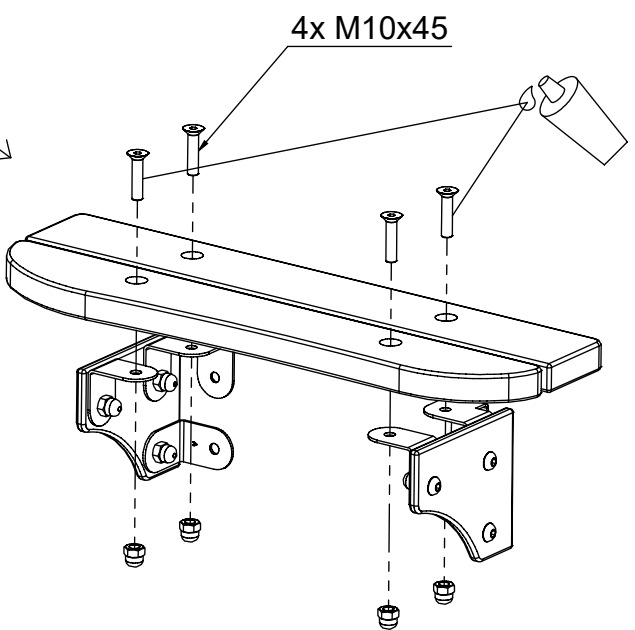
4x128194

16x 5x50sxs



2x

6x M10x25



4x M10x45

1x 12e014

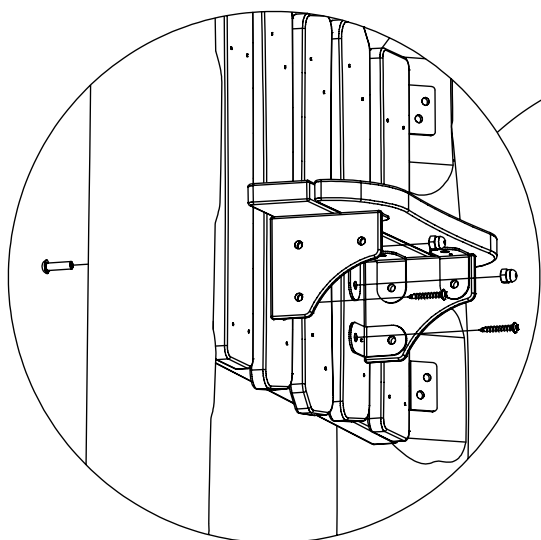
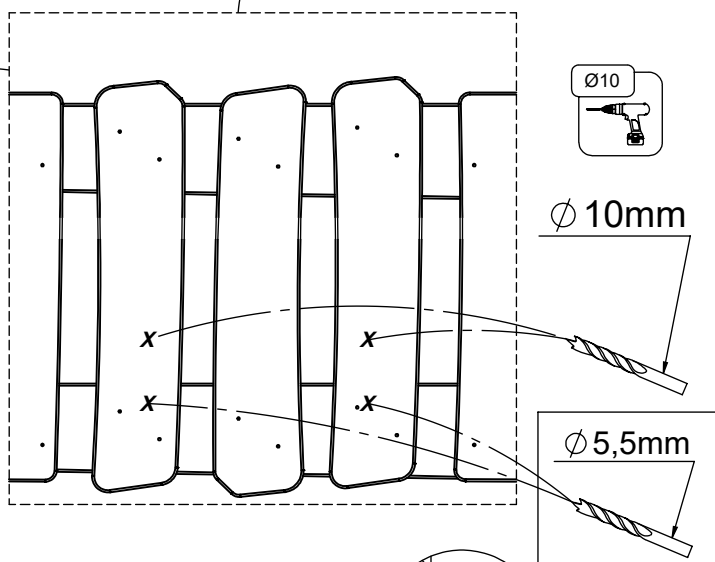
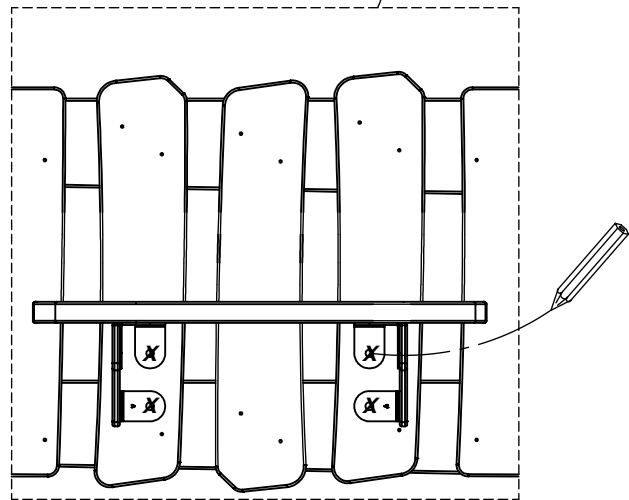
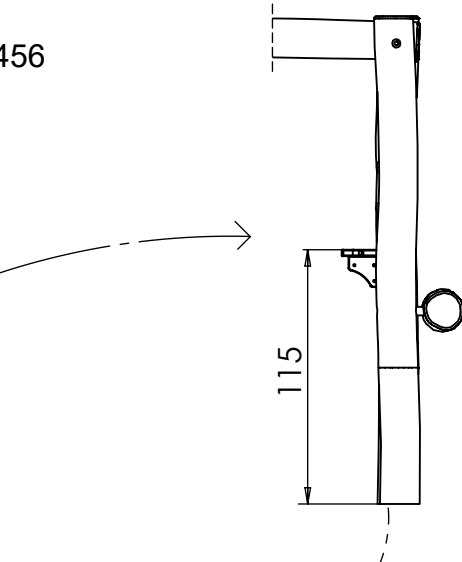
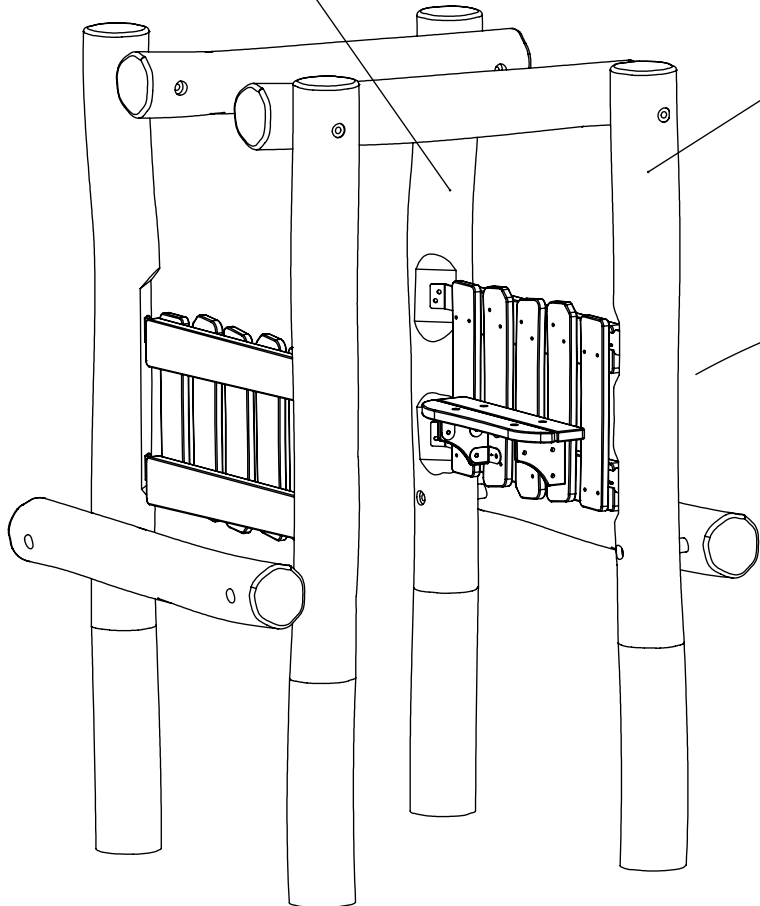
[cm]

vinci play

127454

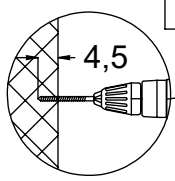
127456

115



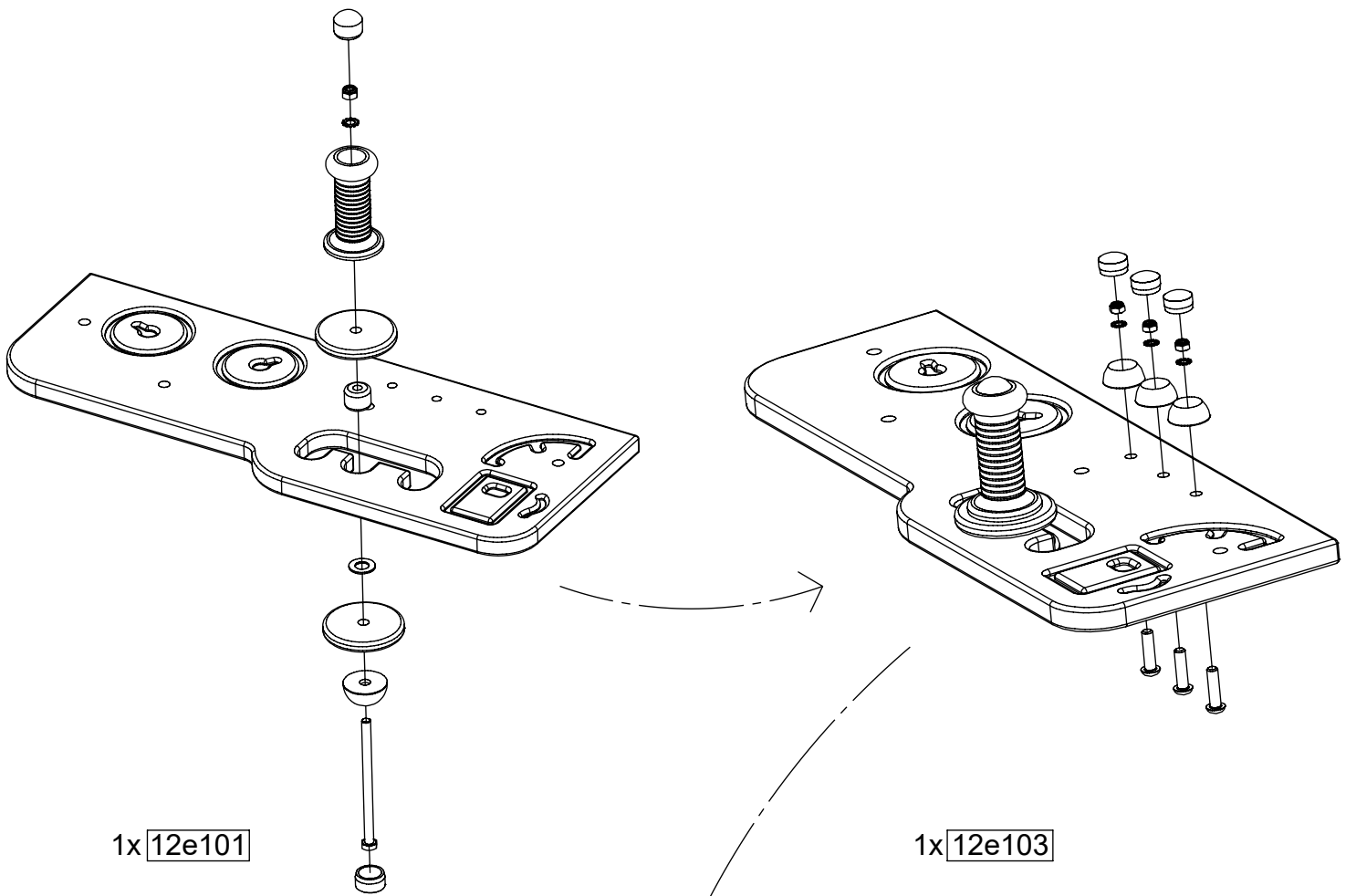
1x 12e014

2x 8x50sxi



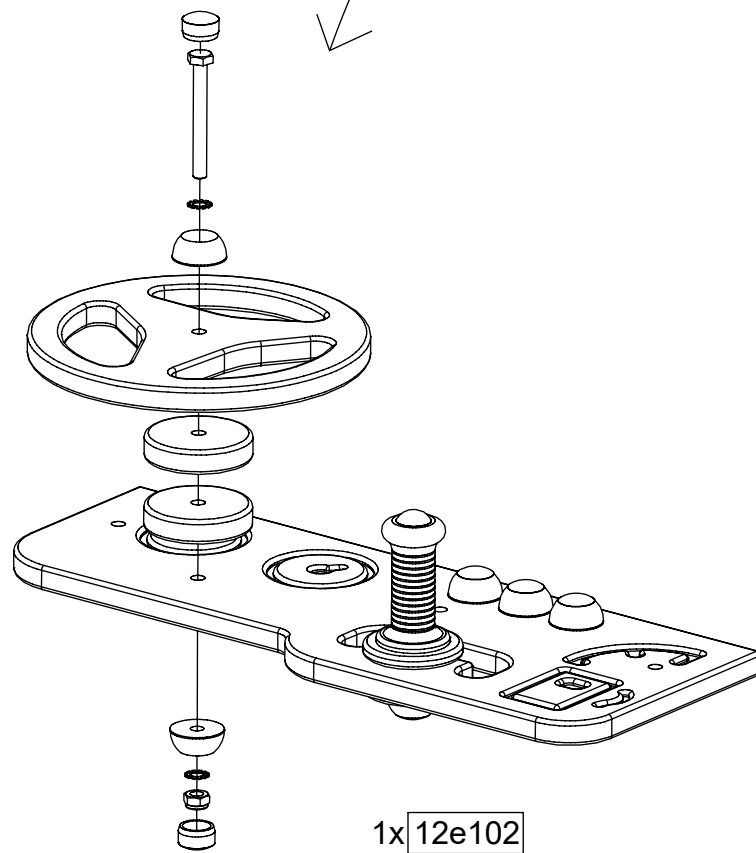
vinci play

[cm]



1x 12e101

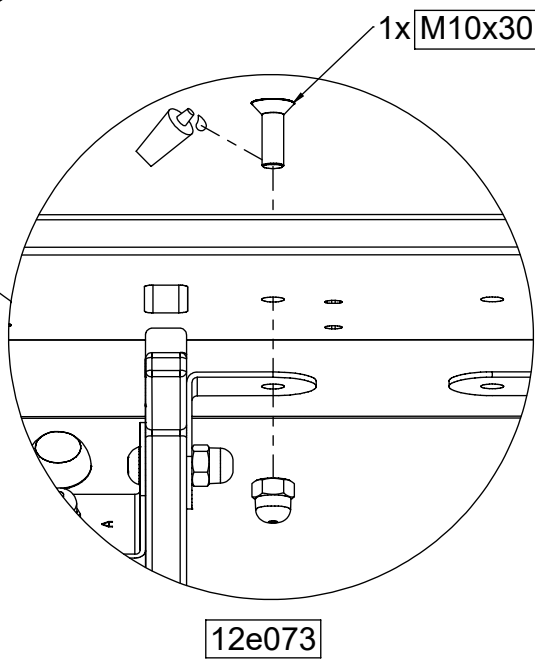
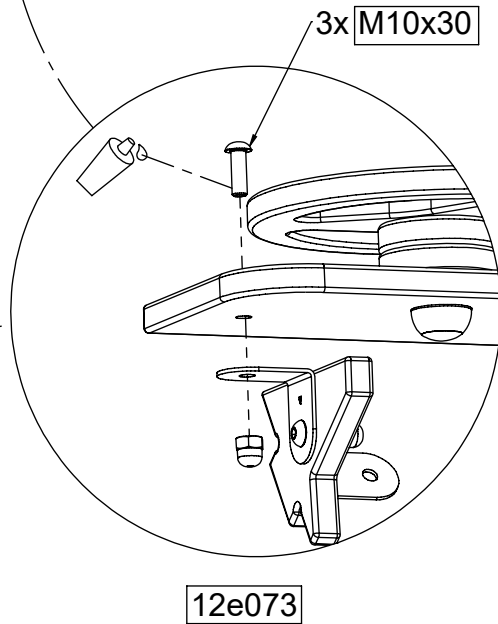
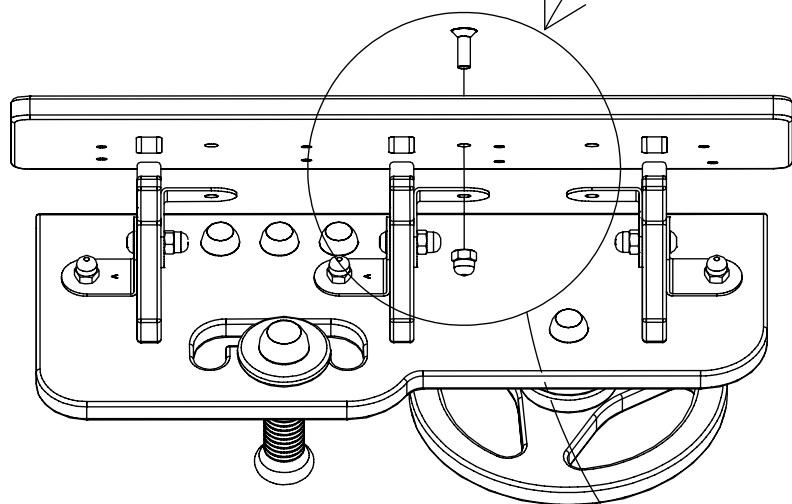
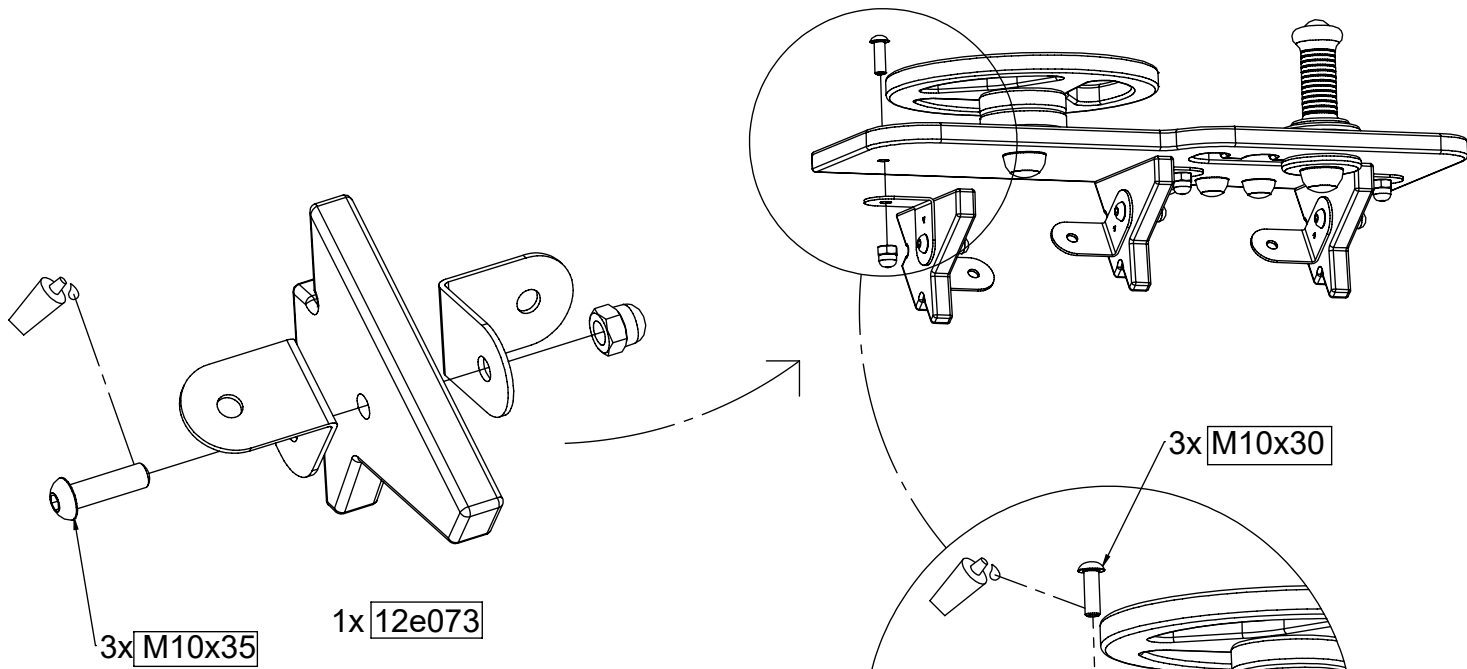
1x 12e103



1x 12e102

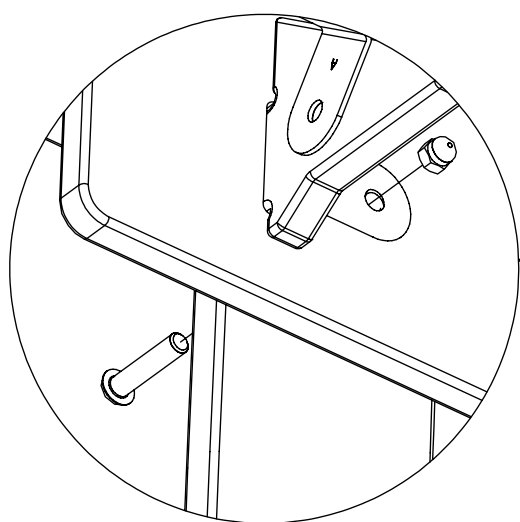
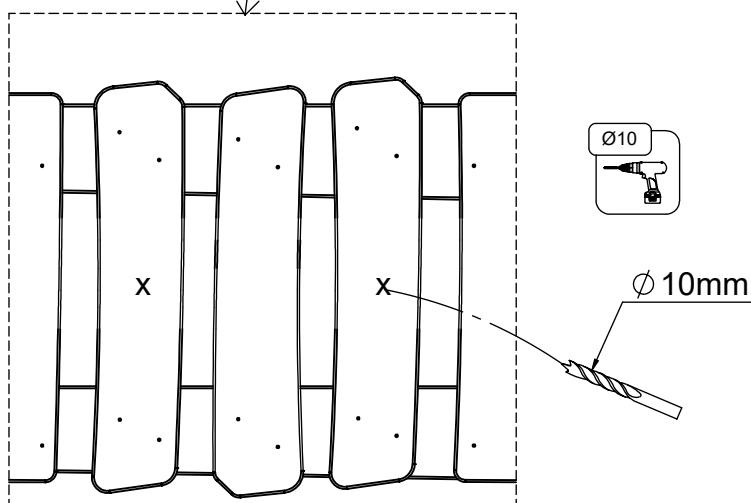
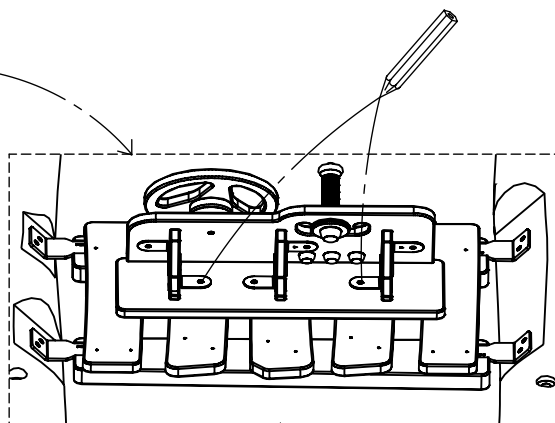
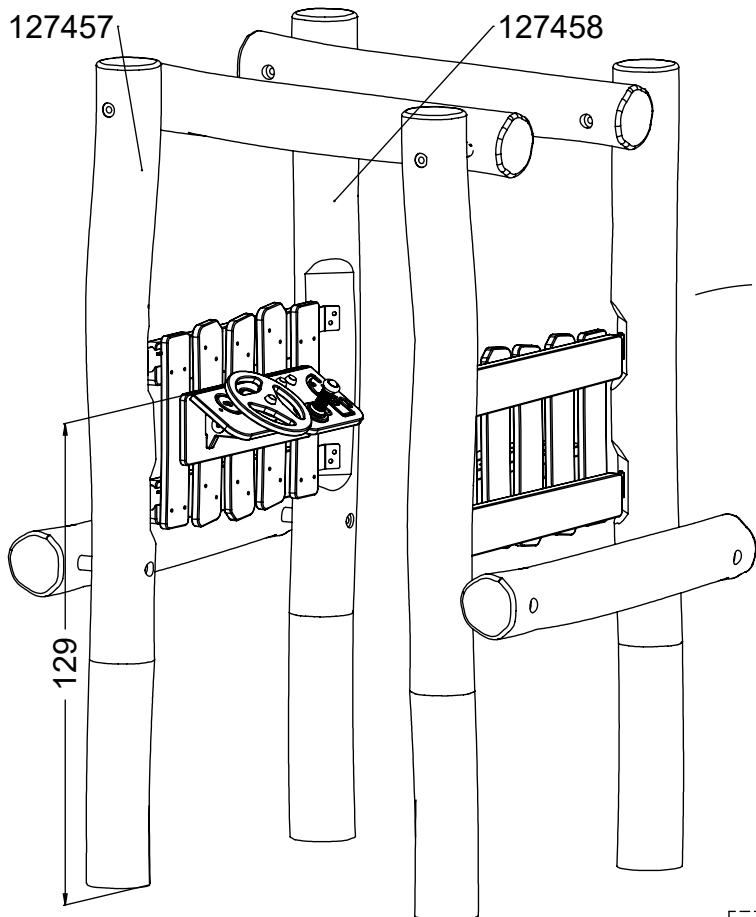
[cm]

vinci
play

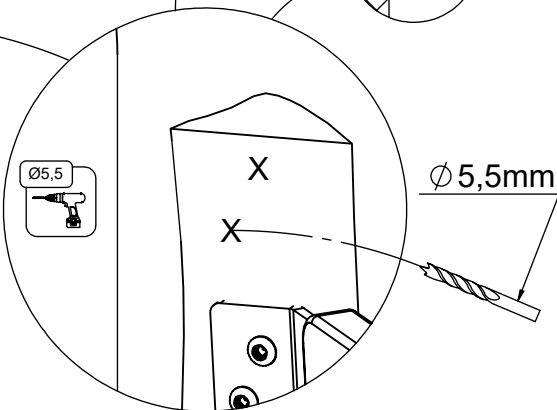
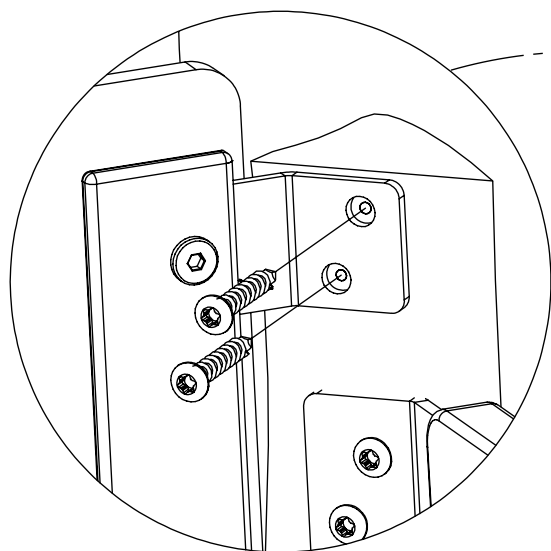
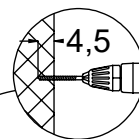
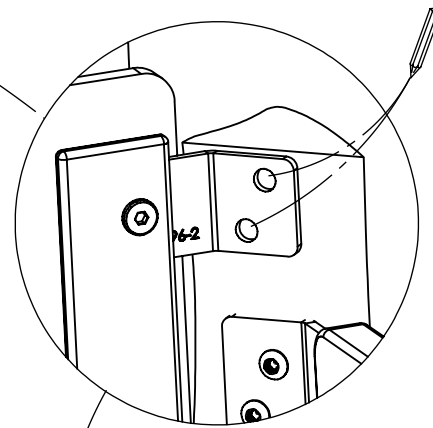
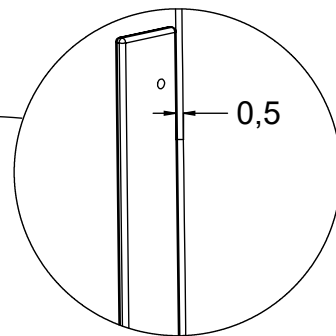
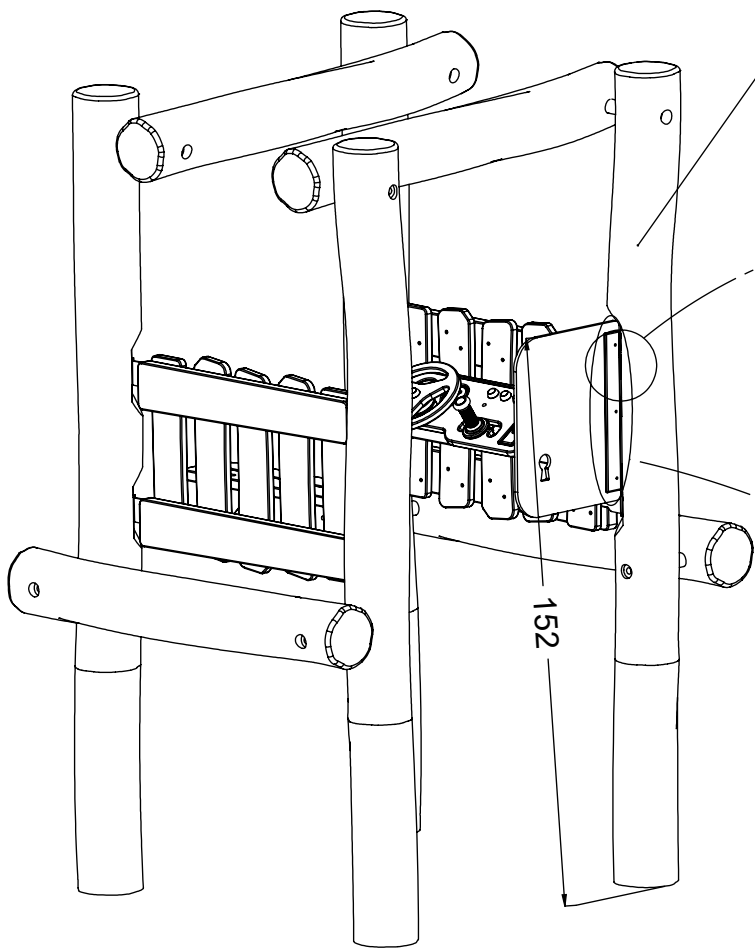
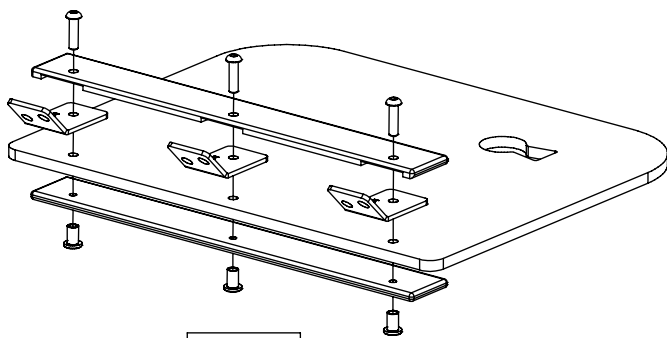


[cm]

vinci
play



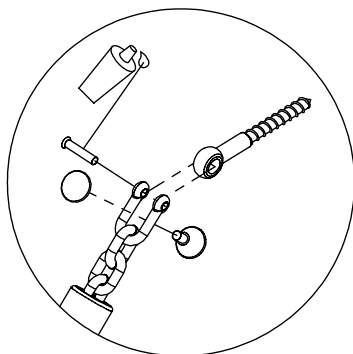
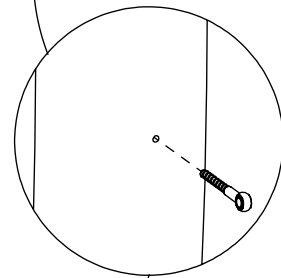
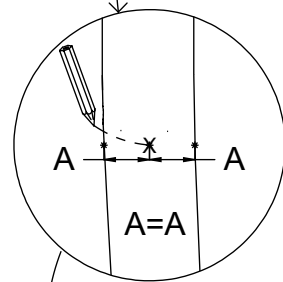
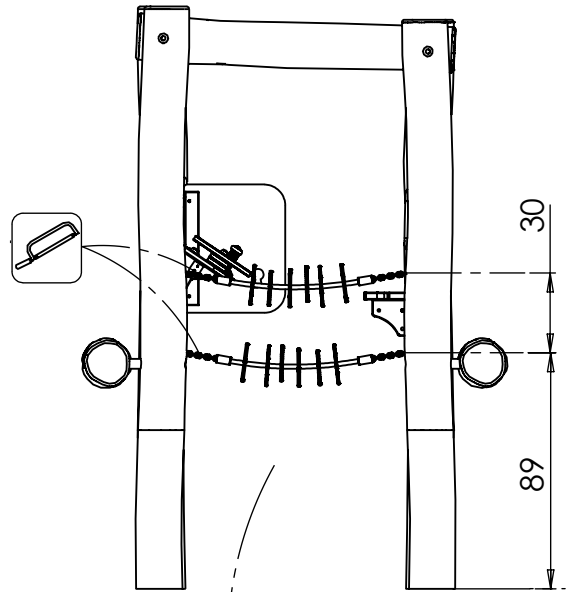
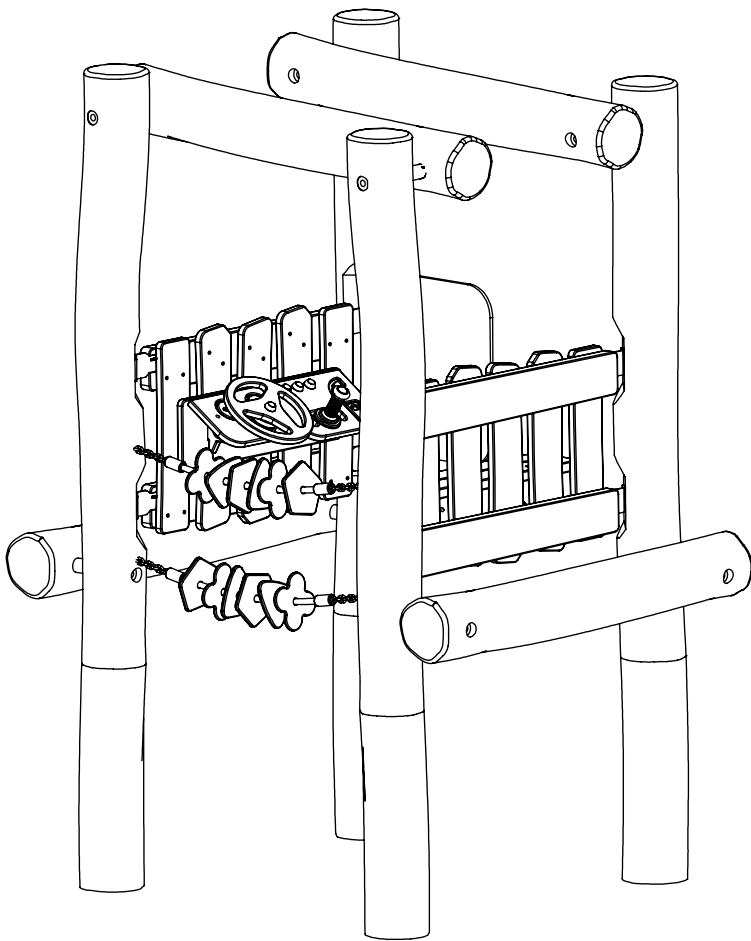
1x 12e074



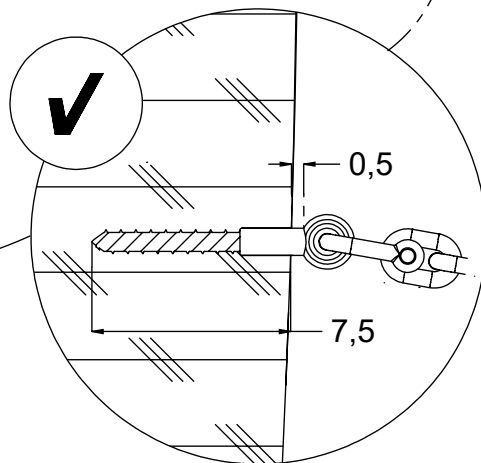
6x 8x50sxi

[cm]

vinci
play

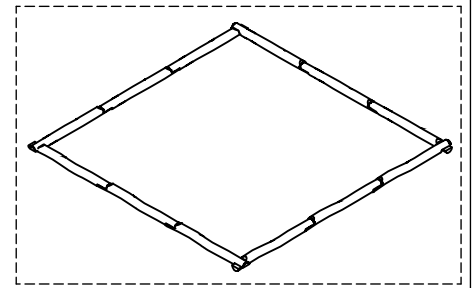
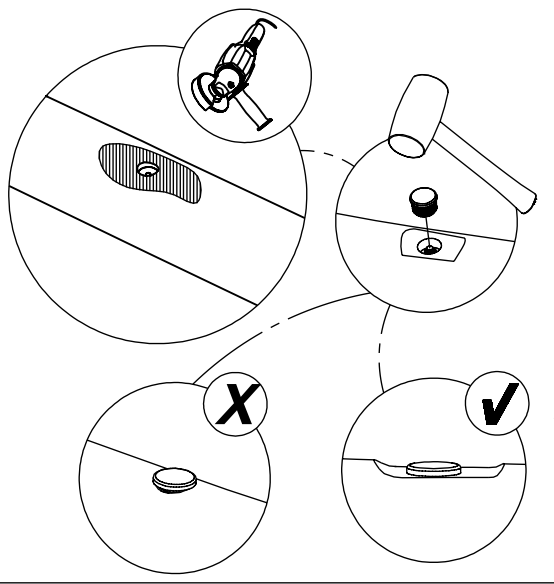


2x 12e007

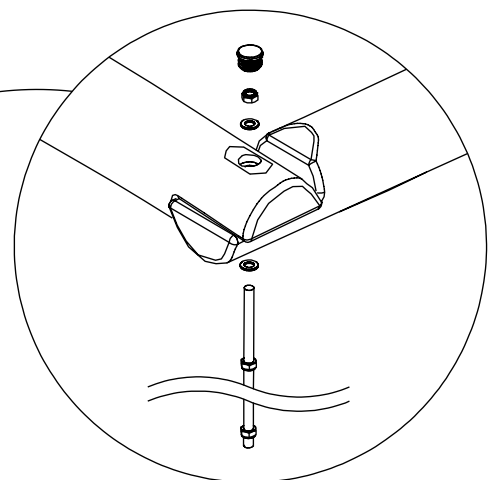
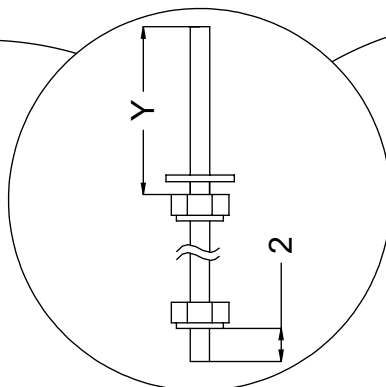
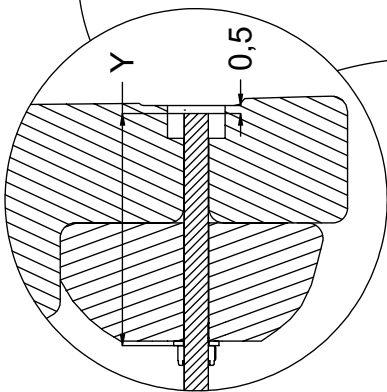
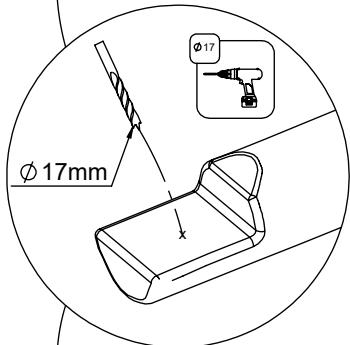
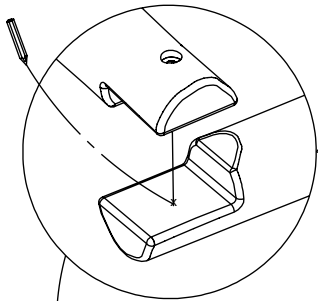
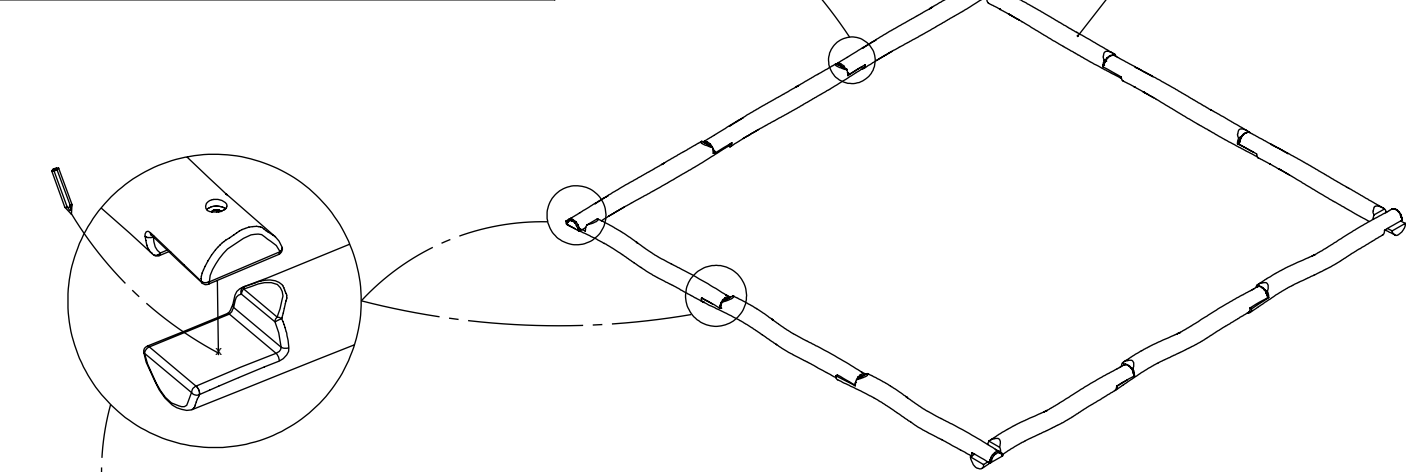


[cm]

vinci
play



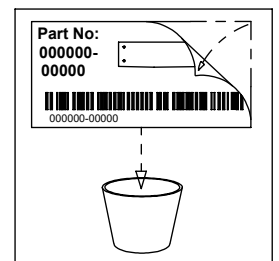
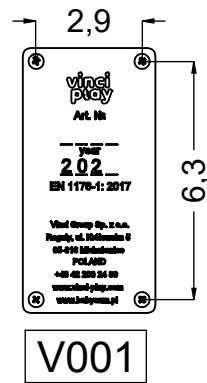
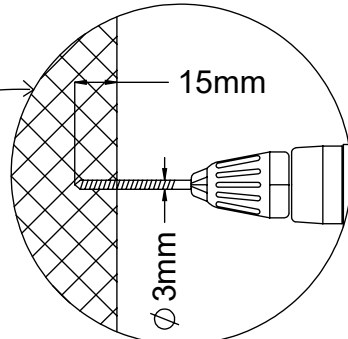
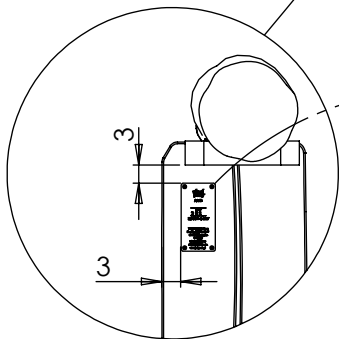
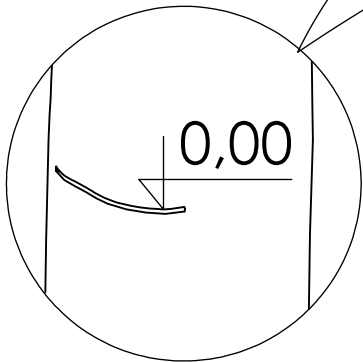
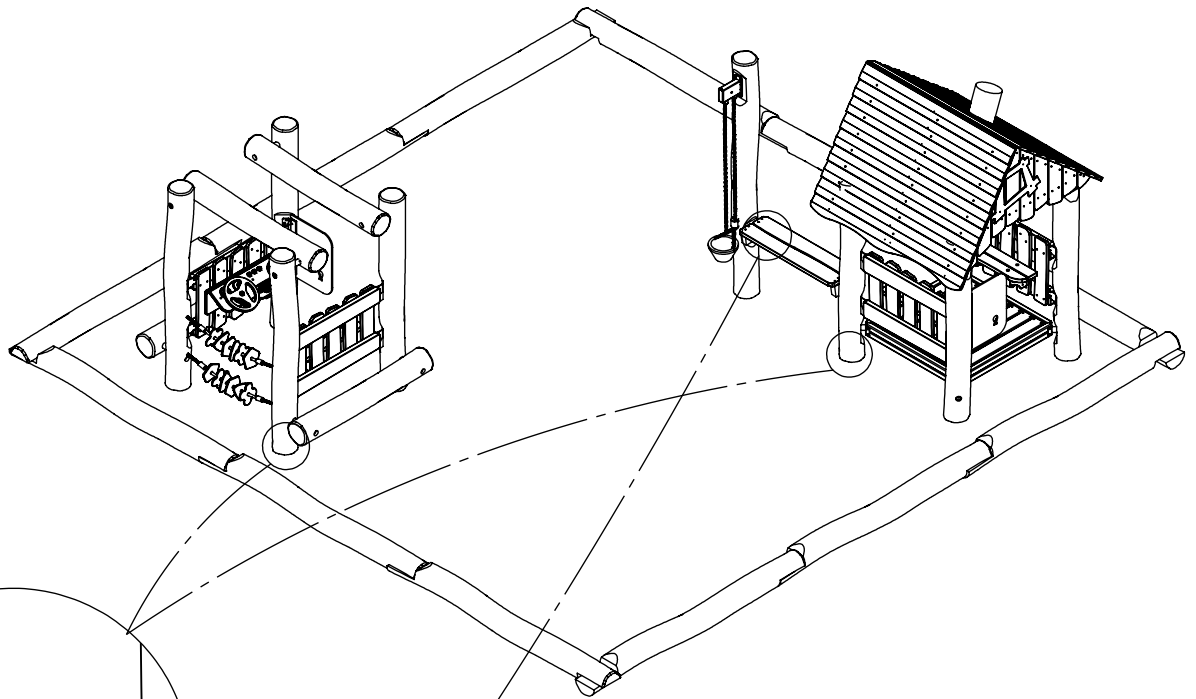
127465



3x 12e013

[cm]

vinci
play



[cm]

vinci
play