

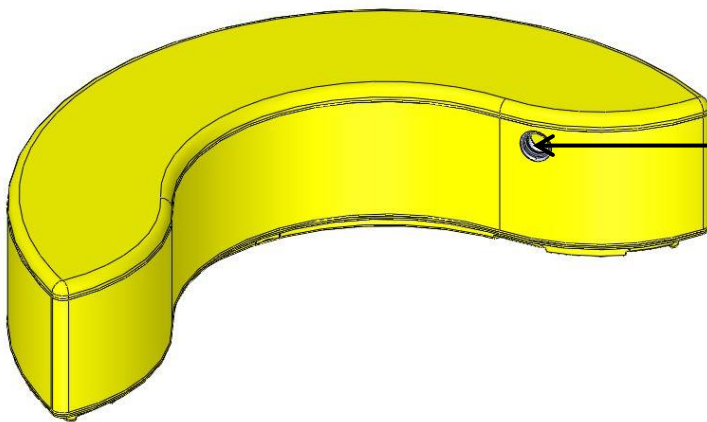
# Mosnako

## Mounting instructions

### ARABESQUE range

#### To fill with water or sand

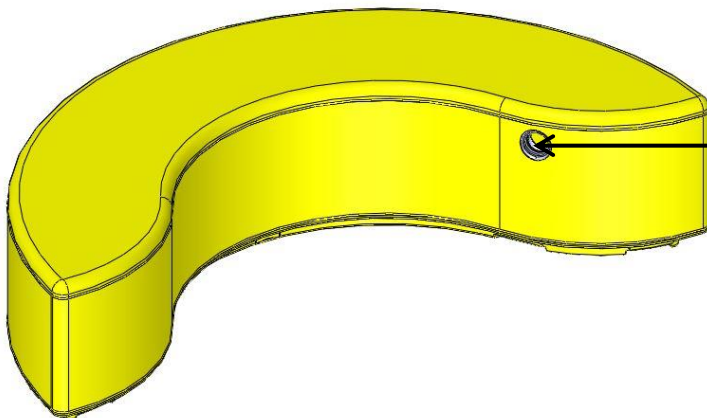
- **With water**



- Unscrew the cap using the provided key
- Fill the module with water until the half.
- Screw the cap

Maximum volume: Arco 180L, Arco 80 250L, Arco Grande, Lungo 250L, Limone 250L, Limone 80 350L, Mezzo Limone 100L.  
(Algal removal agent can be used in the water)

- **To fill with sand**



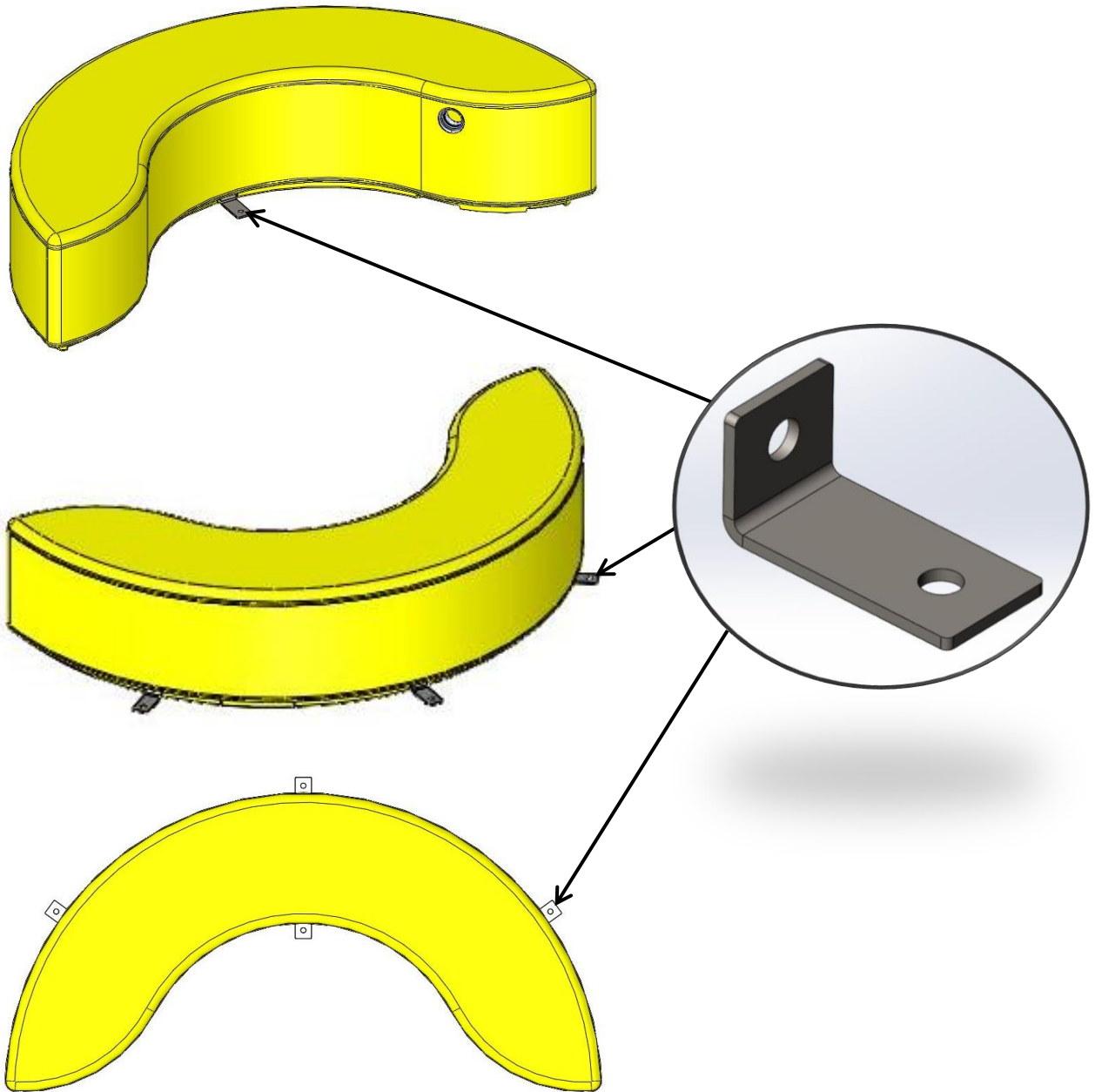
- Unscrew the cap using the provided key
- Fill the module with water until the half.
- Screw the cap

Maximum quantities of sand: Arco 180kg, Arco 80 250kg, Arco Grande, Lungo 250kg, Limone 250kg, Limone 80 350kg, Mezzo Limone 100kg

## Fixation to the ground

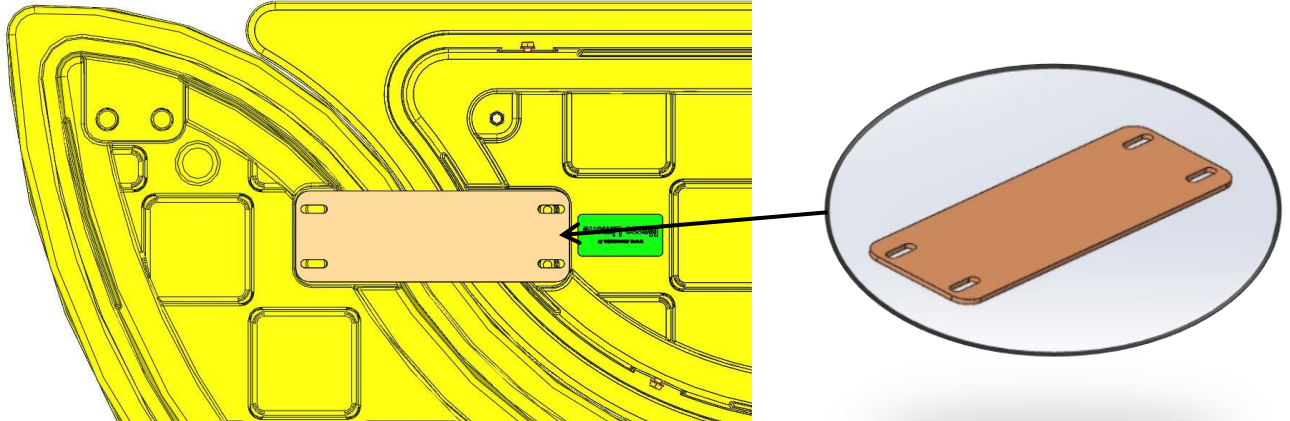
Arabesque modules can be fixed to the ground with stainless steel brackets.

The stainless steel brackets have to be screwed on the Arabesque module with M8 screws. The brackets allow fixing to the floor using concrete specific screws or threaded rods M10. 4 brackets/module.



## Connection plate

Arabesque modules can be linked together with stainless steel connection plates and M8 screws.



## Cleaning instructions

- Polyethylene withstands most detergents
- No specific maintenance is requested
- Cleaning : basic cleaning with soft sponge and hot water or pressure washer