



Product code: WDBUJ01

Product designation:

TERMA Inclusive spring rocker is dedicated to be installed at playgrounds, outdoor gyms, parks and home gardens. The device is accessible to all users – with disabilities and without. It can be used by both groups in the same time.

Materials:

Construction: black steel profiles coated with epoxy primer and powder coating, powder coated steel springs

Platform: rifflted aluminium 5mm plate, silicone platform collar

Backrest: HDPE

Substructure: concrete minimum B-15 class

Dimensions:

External dimensions: 1390x 2093 mm

Height measured from platform to backrest: 1041 mm

Weight: 400 kg

Depth of substructure: 850 mm below ground level

Additional information:

Free fall height: none

Functional area dimensions: 1500 mm from each outer edge of the device

Functional area: 22,35 m²

Maximum swing angle: 3 degrees

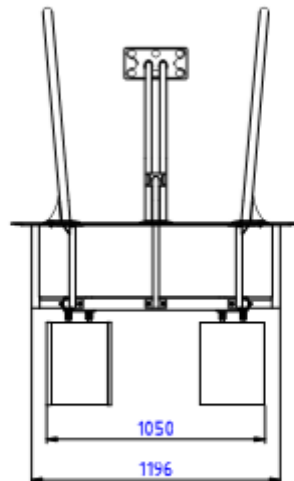
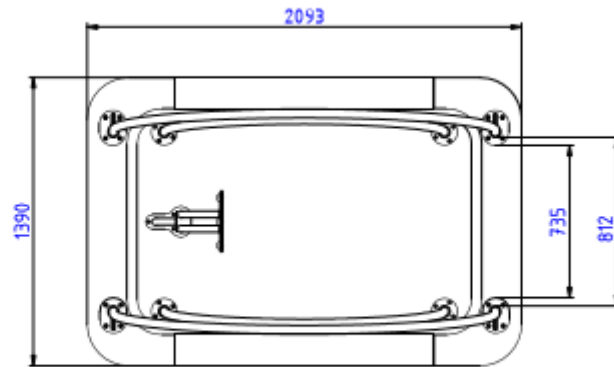
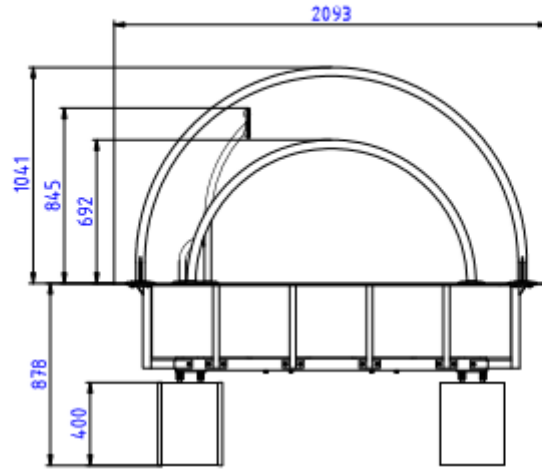
Dimensions of the profiles:

Ø42,4

Ø 32

40x30

60x40



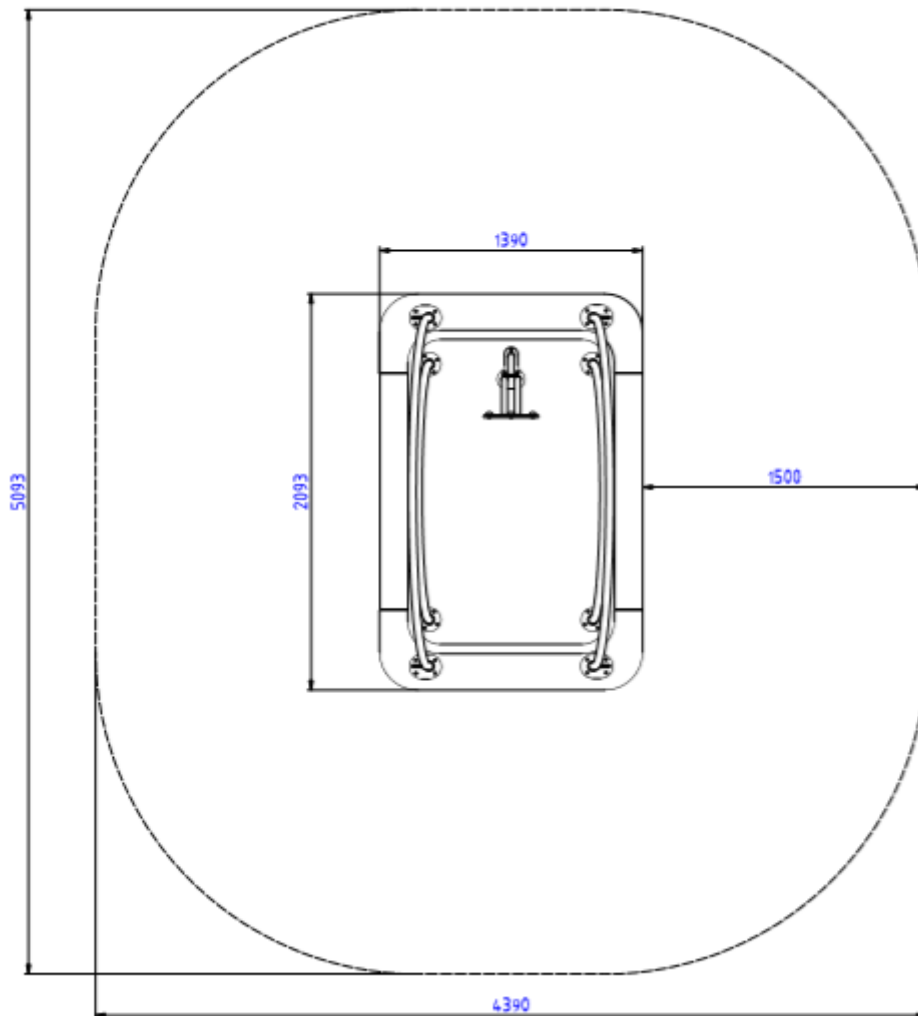


Fig. Inclusive spring rocker dimensions with the safety zone

Safety:

Inclusive spring rocker complies with EN 1176.
Maximum allowed weight of users on the platform: 200 kg

Installation:

Inclusive spring rocker is installed on four concrete blocks. The impact attenuating layer is not required.

Performance:



The idea of the inclusion is to provide environment for integration of wheelchair users with users without impairments. On the Inclusive spring rocker there is enough space to fit one person on the wheelchair and one person without disabilities. At the same time the rocker allows self-operation or to be used only by users without disabilities.

Make sure to provide appropriate surface surrounding the roundabout for the wheelchair users easy access!

The design is accessible to all users, both with disabilities and without.

Manufacturer:



TERMA Sp. z o.o.

Czaple 100

80-298 Gdańsk

Poland

M: +48 / 609 900 451

produktymedyczne@termagroup.pl

www.termamed.pl

www.facebook.com/termaplay