

Product technical sheet

SOLO 0821



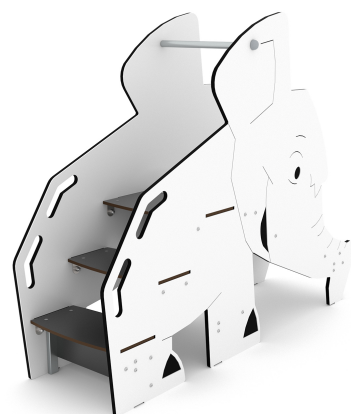
1 - 8 years



3 kids



15,0 m²



Material specification

- Hot-dip galvanized steel construction,
- Platforms and steps made of durable anti-slip and waterproof HPL plate,
- Side panels made of durable HDPE plate, resistant to weather conditions
- Slides made of stainless steel,
- Stainless steel bars,
- Screws covered with plastic caps and/or stainless steel screws,



Physical development



sliding

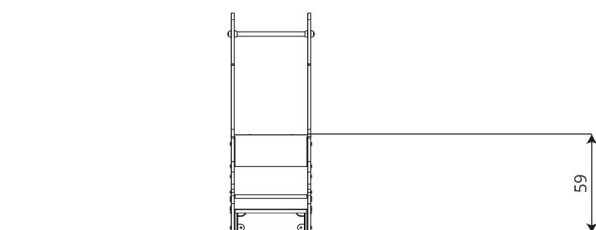
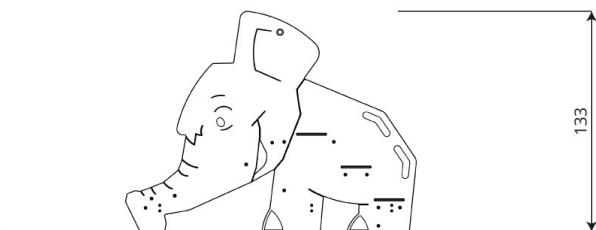
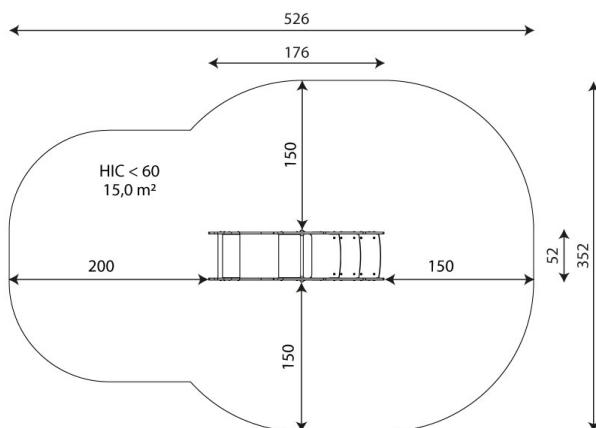




1
number of slides



stairs



Product technical sheet

SOLO 0821

Product data

Length	176 cm
Width	52 cm
Total height	133 cm
Age group	1 - 8 years
Number of users	3 kids
Safety zone	15,0 m ²
Free fall height	<60 cm
The height of the platforms	59 cm
In accordance with norm EN	1176-1:2017
Weight of the heaviest part	60 kg
Dimensions of the largest part	176x133x48 cm
Availability of spare parts	YES
Installation time	3 h
Color options	

Data is subject to change without prior notice.

Additional information

- equipment intended for public playgrounds;
- equipment has a certificate issued by an accredited entity or a declaration of conformity;
- no sharp edges or chinks that would pose a danger of jimmie the head, fingers or any other body parts;
- anchoring on flat surface, 80/70/60 cm deep;
- slide should not be installed southwards;
- render is for reference only, the actual appearance of the equipment and its color may vary;

Guarantee

30

30 year guarantee - Structural strength of steel and stainless steel components

15

15 year guarantee - Structural failure of steel and stainless steel, for dynamic equipment

10

10 year guarantee - Structural failure of high density polyethylene and high pressure laminates components

5

5 year guarantee - Corrosion of stainless steel and hot dip galvanized and powder coated components; against bark beetles and rot in case of wooden structural elements

Detailed information in the guarantee card



Surfaces according to EN 1176-1:2017

	Description (mm)	Layer thickness (cm)	Maximum fall heights (cm)
Turf/ top layer of soil (A,B,C)	-	-	≤100
bark (A,C)	Particle size from 20 to 80	30	≤200
		40	≤300
woodchips (A,C)	Particle size from 5 to 30	30	≤200
		40	≤300
sand or gravel (A,C)	Particle size from 0,25 to 8	30	≤200
		40	≤300
synthetic attested (A,B,C)	Tested according to EN 1177		100

Product technical sheet

SOLO 0821

Amount of safe surface corresponding with free fall height:

HIC <60 7,8 m²

HIC 100 7,2 m²

Data is subject to change without prior notice.

