

CLIMBOO WD1464**7 - 16 years****4 kids****12.2 m²****Material specification**

- Construction made of the highest quality laminated, impregnated and double coated pine wood 90 x 90 mm without knots, secured from the top with polypropylene plugs,
- Metal anchors made of hot dip galvanized steel, protecting the wood from direct contact with the ground to prevent rot and to extend the product's life,
- Stainless steel bars,
- Safe end caps made of polypropylene,
- Stainless steel screws and/or screws covered with plastic caps,

**Physical development**

balance

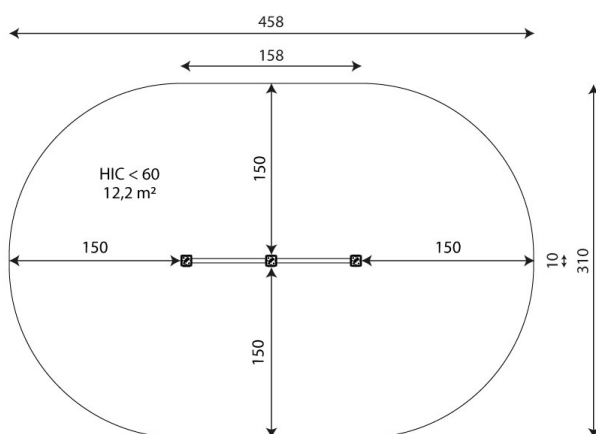


passage





1
number of activity elements



Product technical sheet

CLIMBOO WD1464

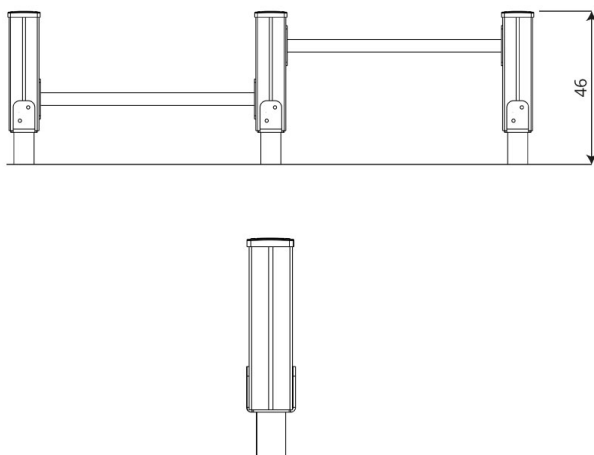
Product data

Length	158 cm
Width	10 cm
Total height	46 cm
Age group	7 - 16 years
Number of users	4 kids
Safety zone	12.2 m ²
Free fall height	<60 cm
In accordance with norm EN	1176-1:2017
Weight of the heaviest part	4 kg
Dimensions of the largest part	74x10x8 cm
Availability of spare parts	YES
Installation time	2 h

Data is subject to change without prior notice.

Additional information

- equipment intended for public playgrounds;
- equipment has a certificate issued by an accredited entity or a declaration of conformity;
- no sharp edges or chinks that would pose a danger of jimmie the head, fingers or any other body parts;
- anchoring on flat surface, 80/70/60 cm deep;
- render is for reference only, the actual appearance of the equipment and its color may vary;



Guarantee

30

30 year guarantee - Structural strength of steel and stainless steel components

15

15 year guarantee - Structural failure of steel and stainless steel, for dynamic equipment

10

10 year guarantee - Structural failure of high density polyethylene and high pressure laminates components

5

5 year guarantee - Corrosion of stainless steel and hot dip galvanized and powder coated components; against bark beetles and rot in case of wooden structural elements

Detailed information in the guarantee card



Surfaces according to EN 1176-1:2017

	Description (mm)	Layer thickness (cm)	Maximum fall heights (cm)
Turf/ top layer of soil (A,B,C)	-	-	≤100
bark (A,C)	Particle size from 20 to 80	30	≤200
		40	≤300
woodchips (A,C)	Particle size from 5 to 30	30	≤200
		40	≤300
sand or gravel (A,C)	Particle size from 0,25 to 8	30	≤200
		40	≤300
synthetic attested (A,B,C)	Tested according to EN 1177		60

Product technical sheet

CLIMBOO WD1464

Amount of safe surface corresponding with free fall height:

HIC <60 12,2 m²

Data is subject to change without prior notice.

