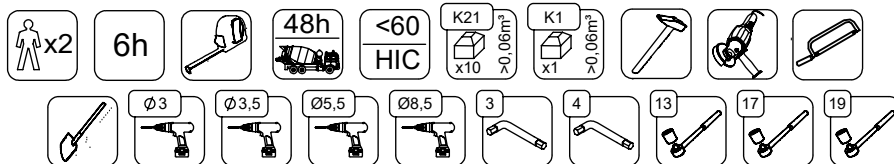
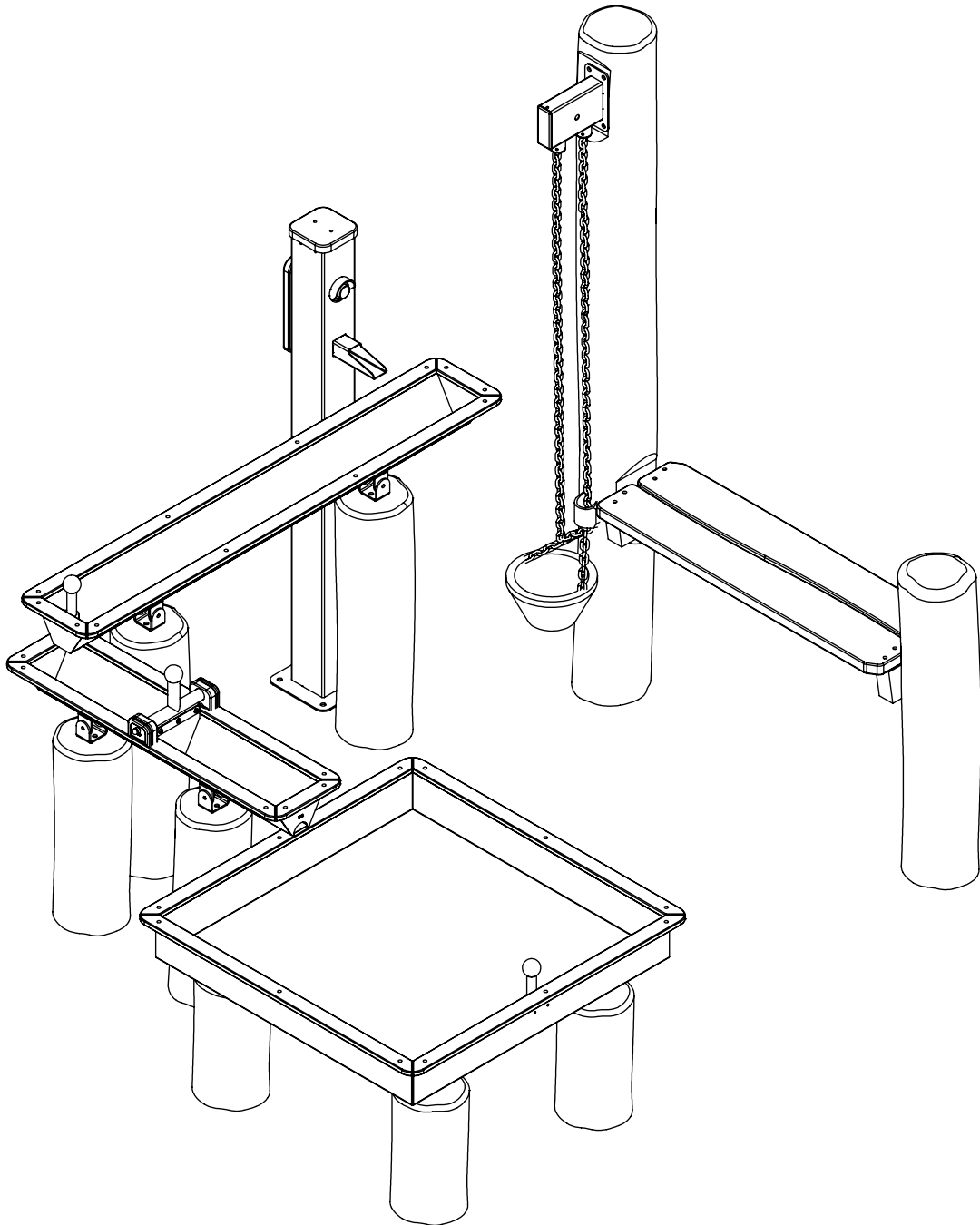
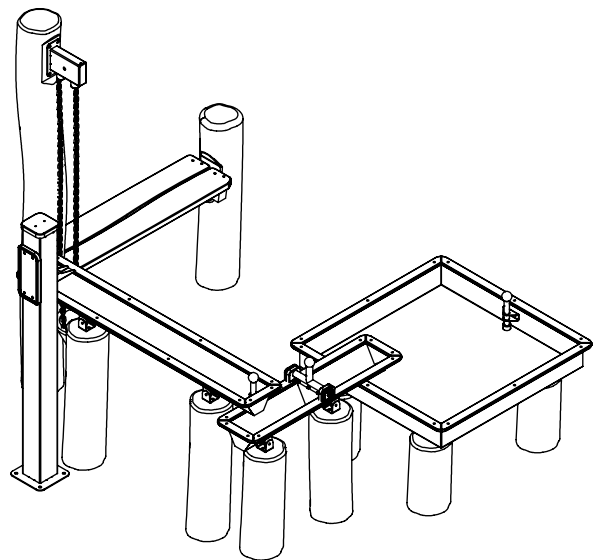
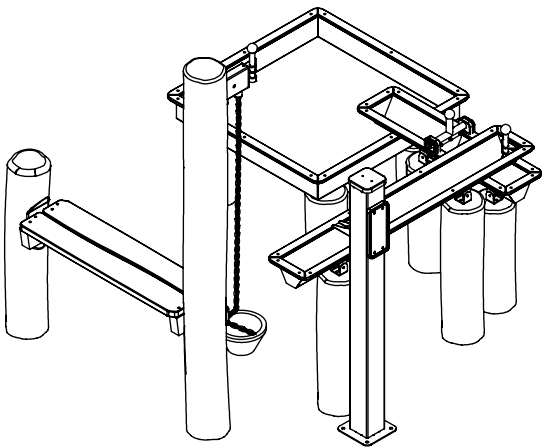
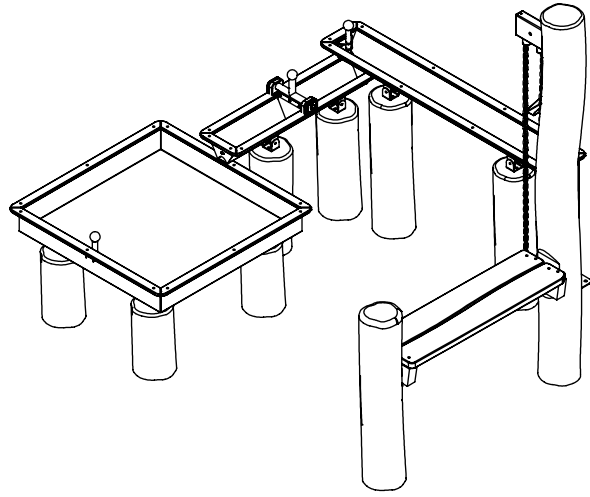
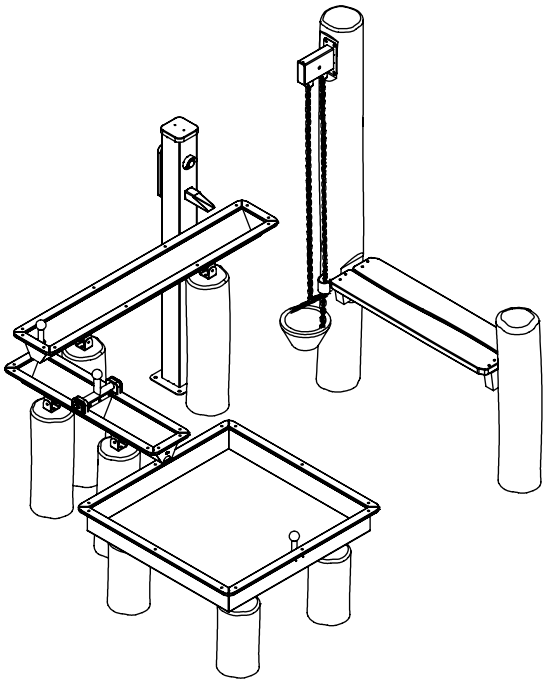


RB2856



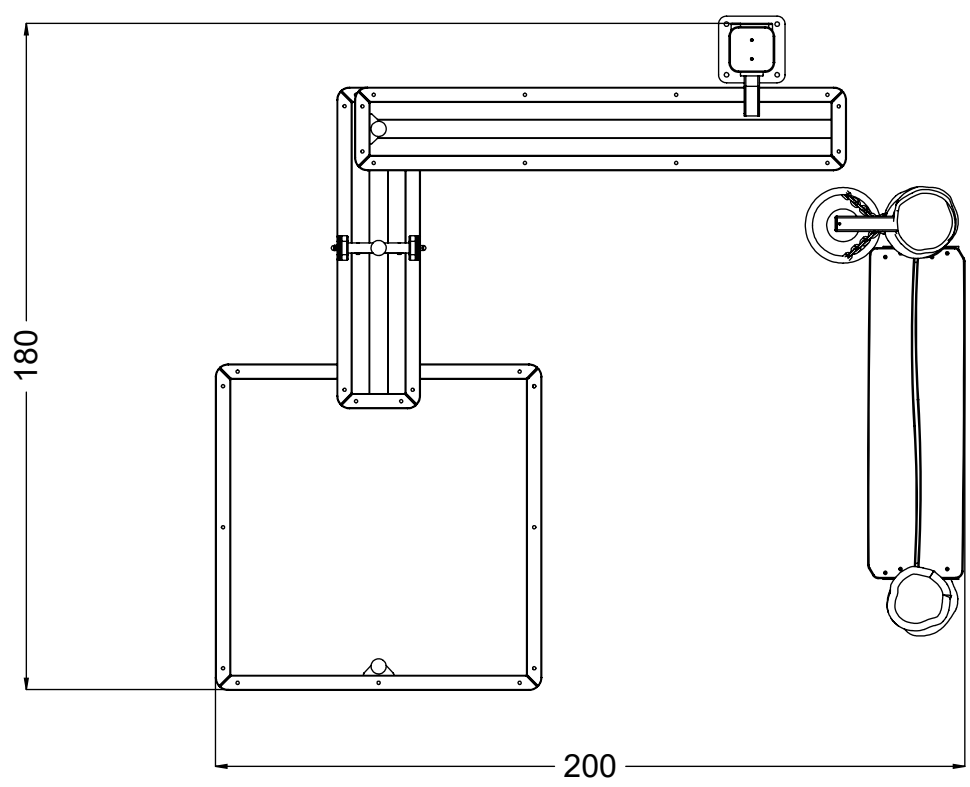
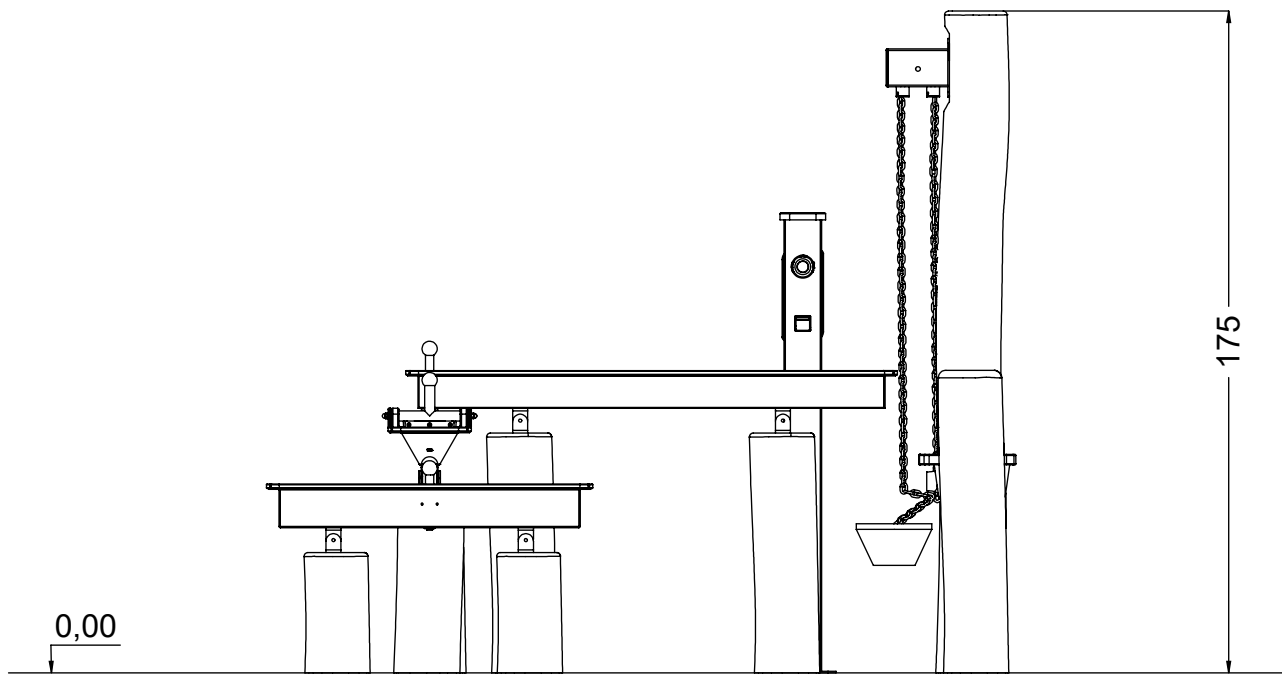
v010
23.08.2022
D. P.
[cm]

vinci
play



[cm]

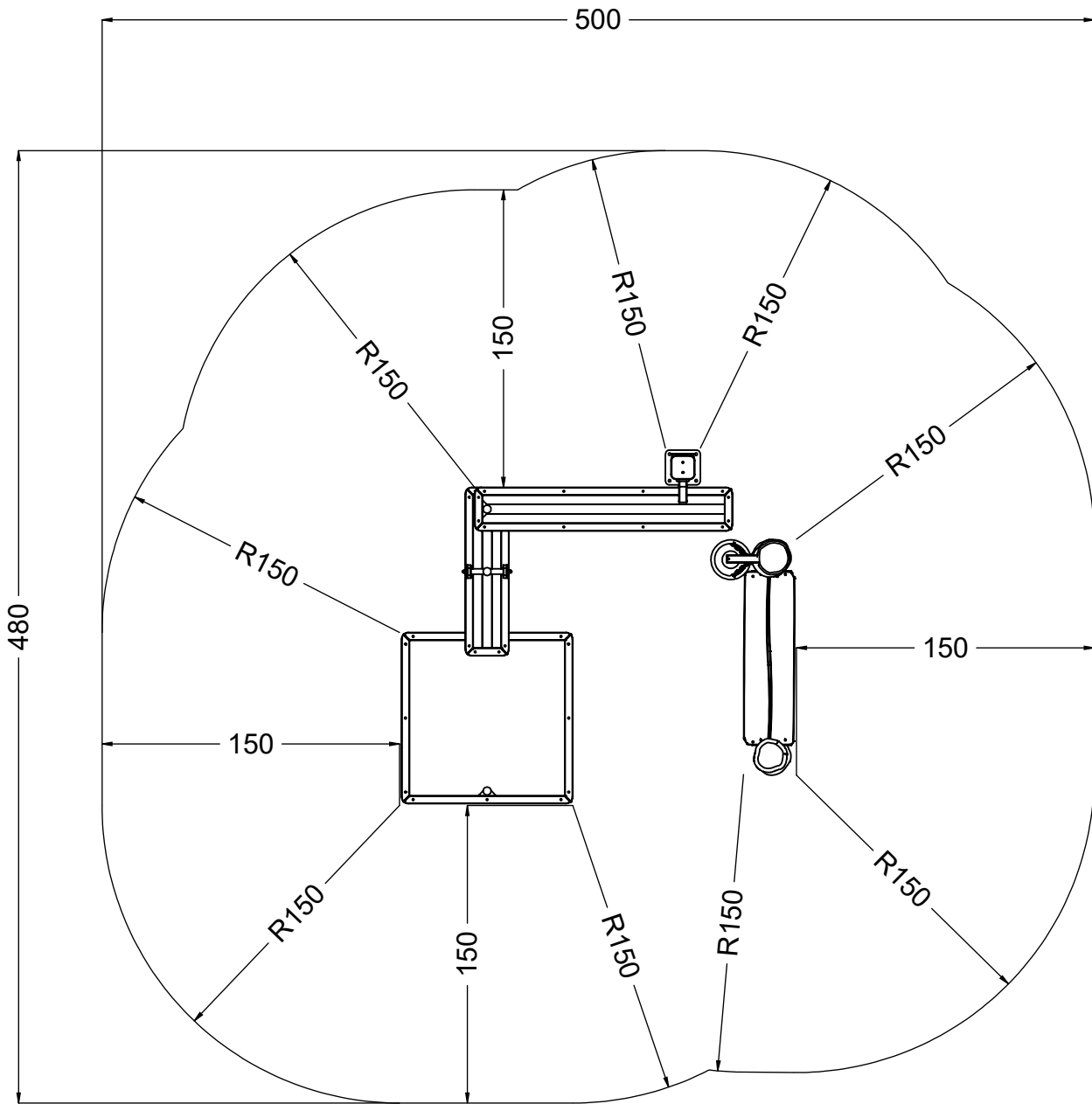
vinci
play



[cm]



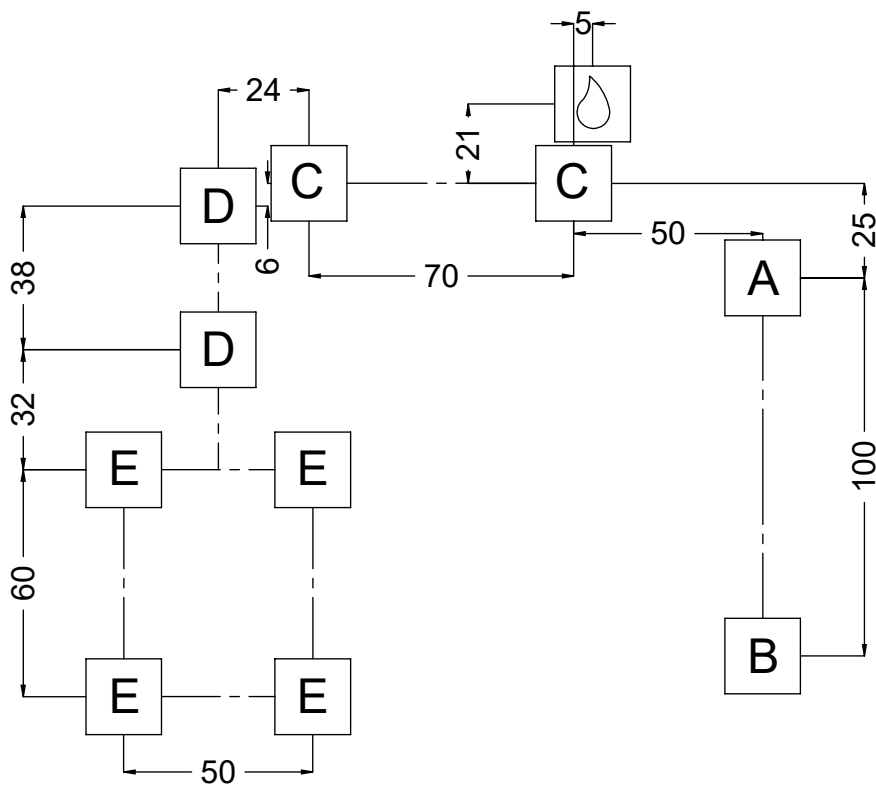
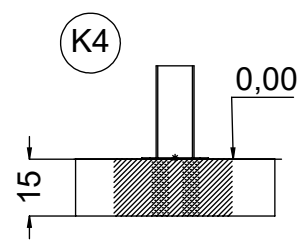
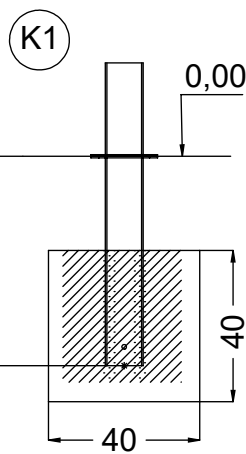
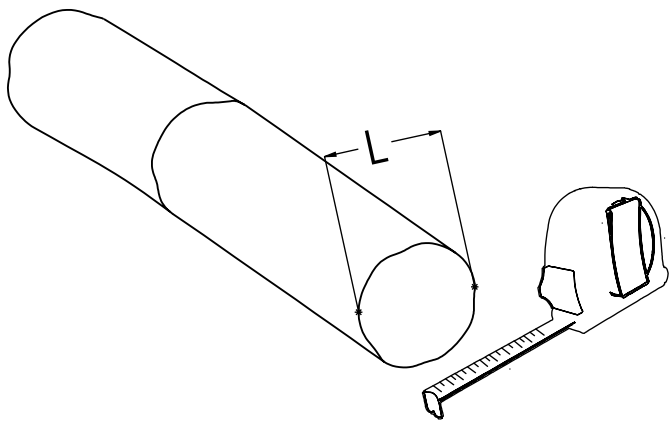
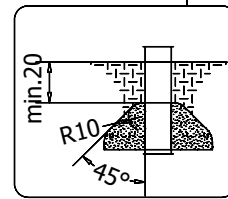
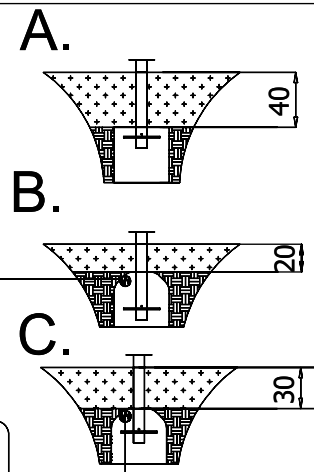
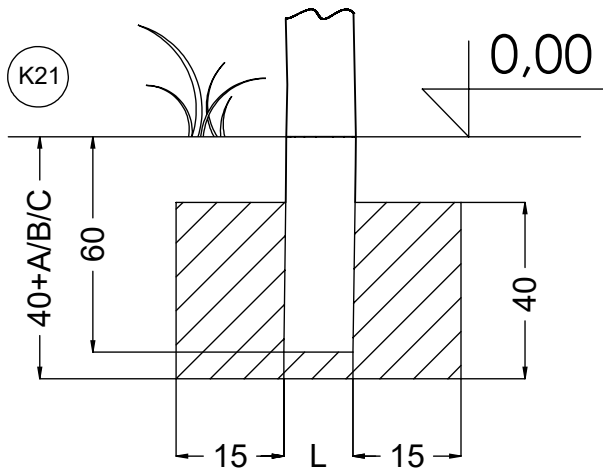
vinci
play



[cm]



vinci
play



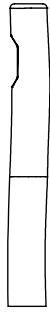
[cm]



vinci
play



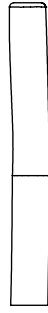
127176 (A)
x1



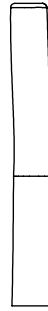
127177 (B)
x1



127730 (C)
x2



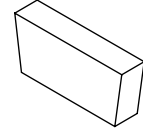
127731 (D)
x2



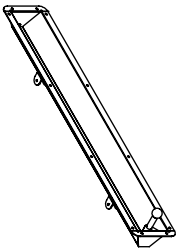
127732 (E)
x4



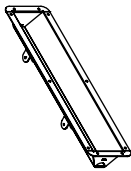
128153
x2



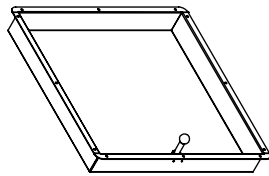
128154
x2



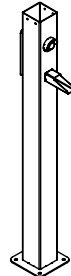
284106
x1



282122
x1



284105
x1



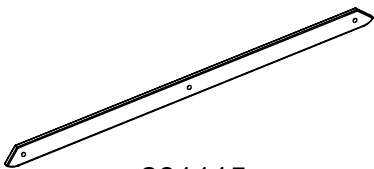
284107
x1



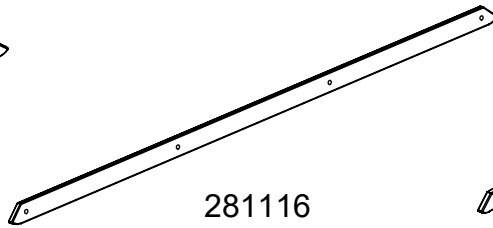
282136
x1



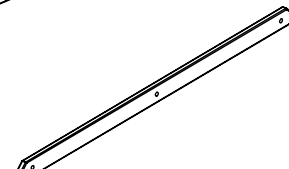
994121
x1



281115
x2



281116
x2



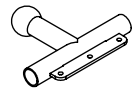
281121
x4

1x	12e111
1x	12e112
1x	12e113
1x	23e001
1x	23e003
1x	286103
8x	i476
1x	GL
1x	V001

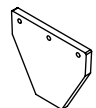
8x	5x80sps
2x	6x50sxs
20x	8x50sxi
4x	8x80sxt
32x	8x25ikl
16x	8x16ikl
48x	8nk



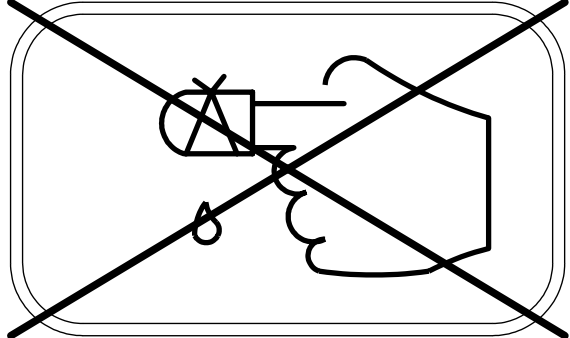
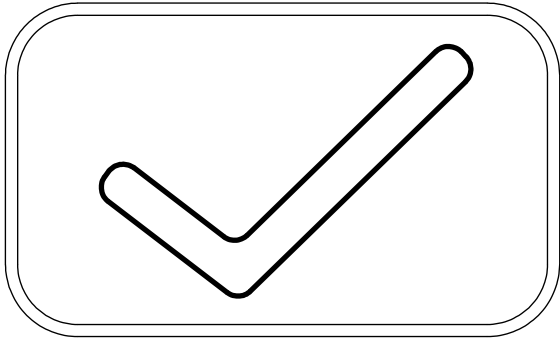
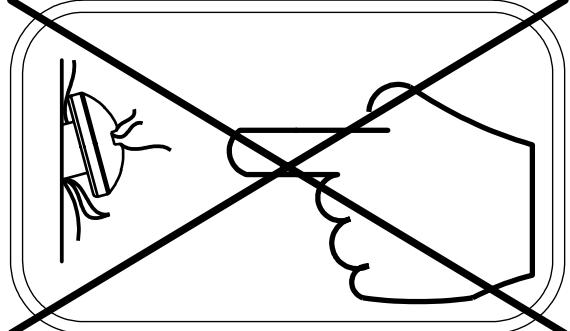
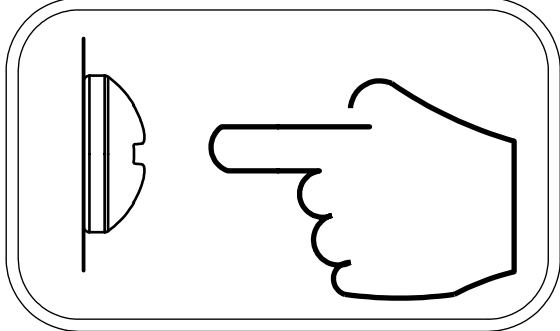
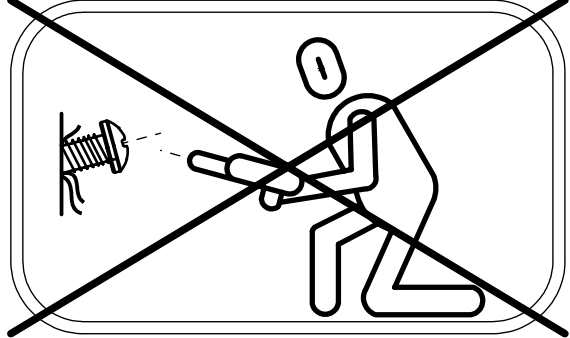
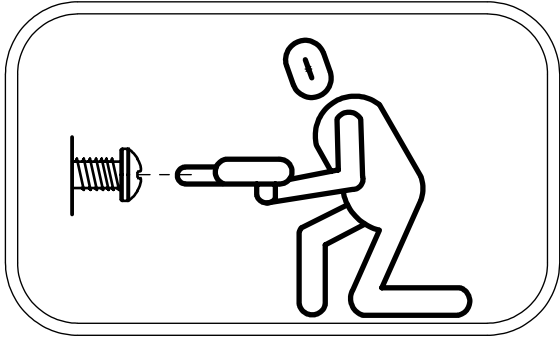
281114
x4

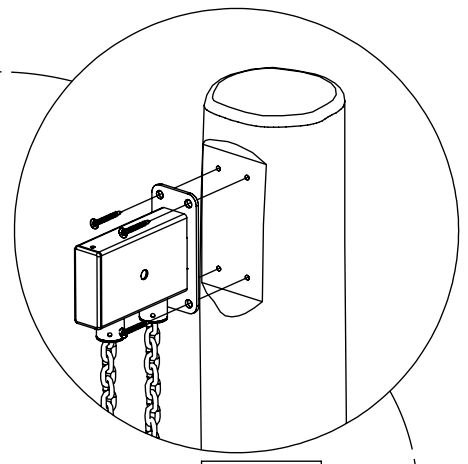
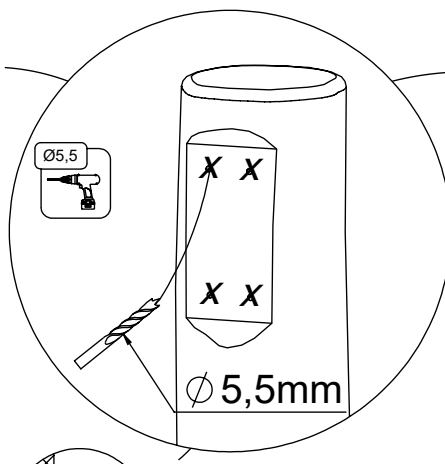
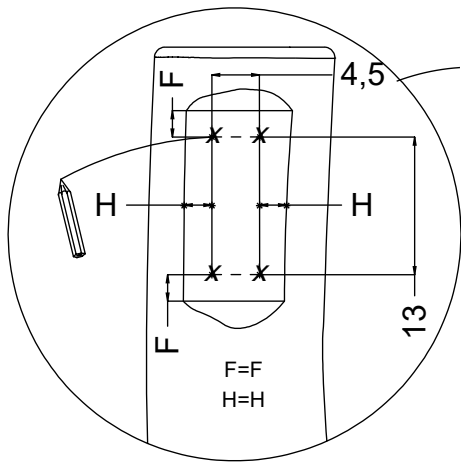


282108
x1

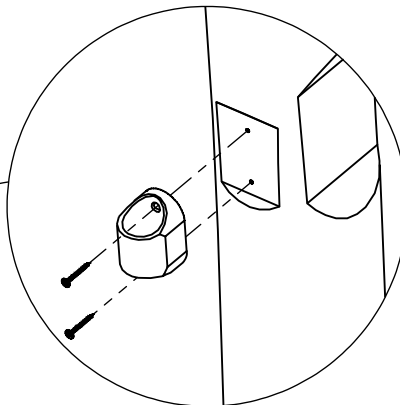
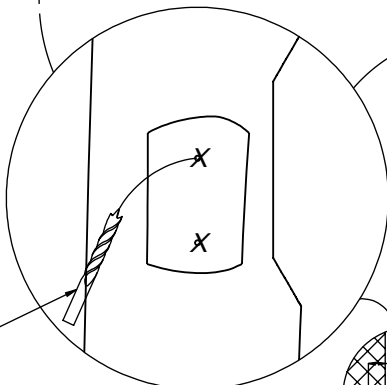
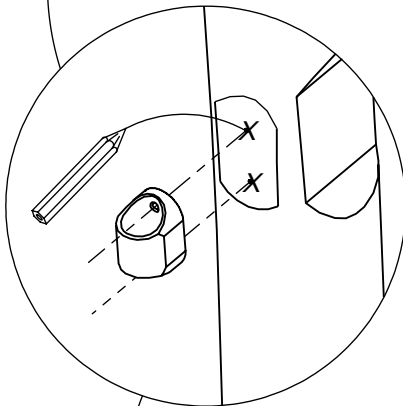
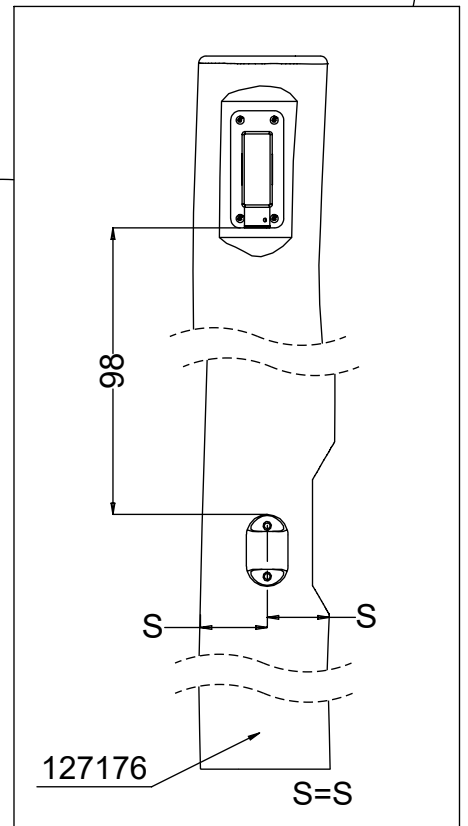
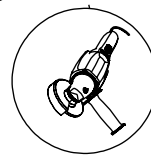
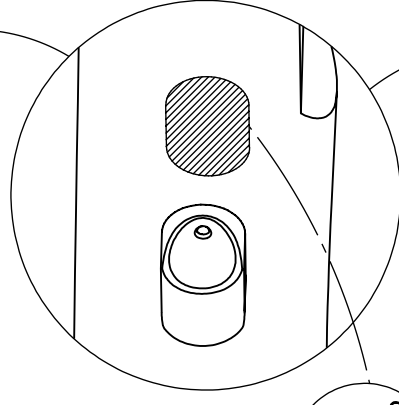
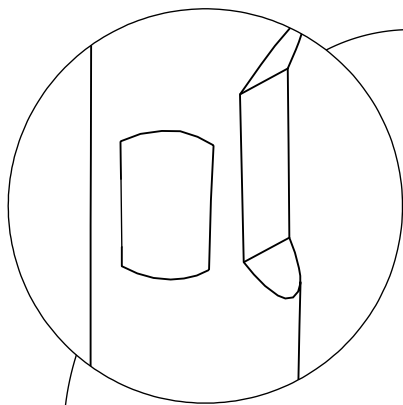
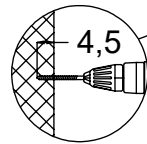


281102
x1





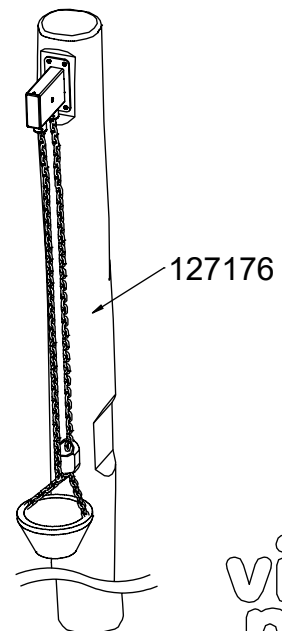
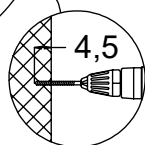
4x 8x50sxi



2x 6x50sxs

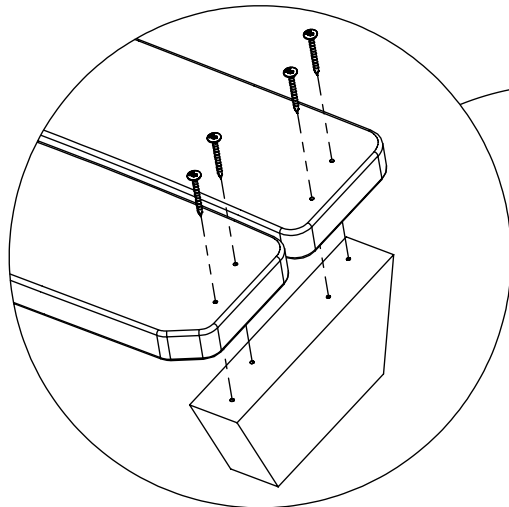
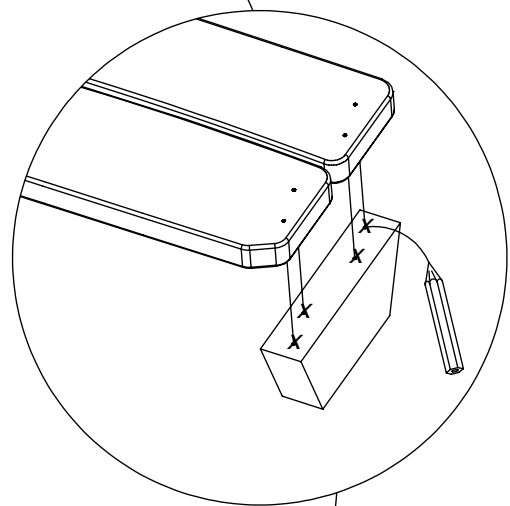
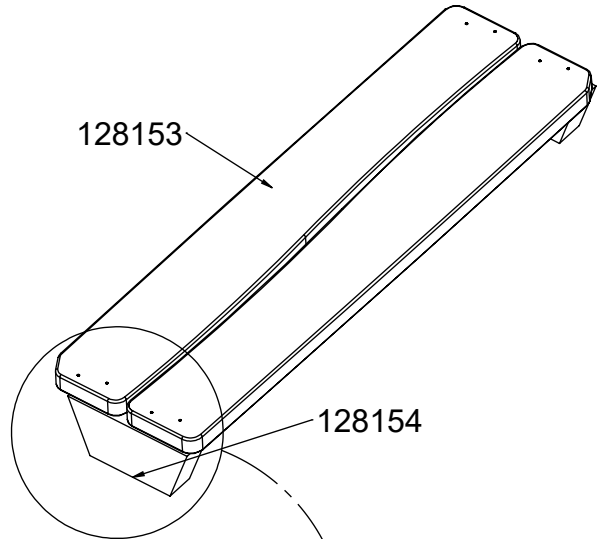
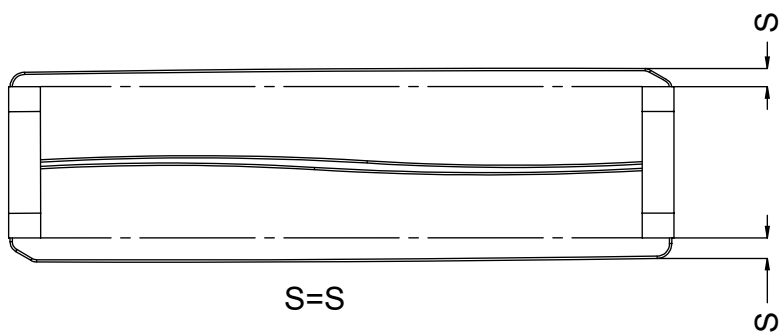
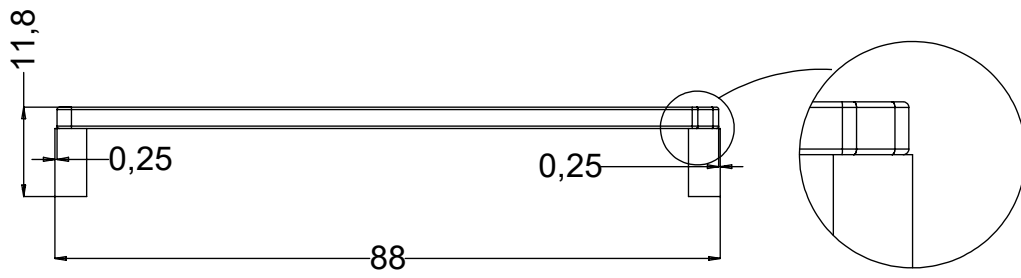


Ø 4 mm

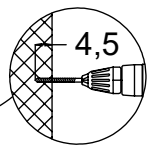
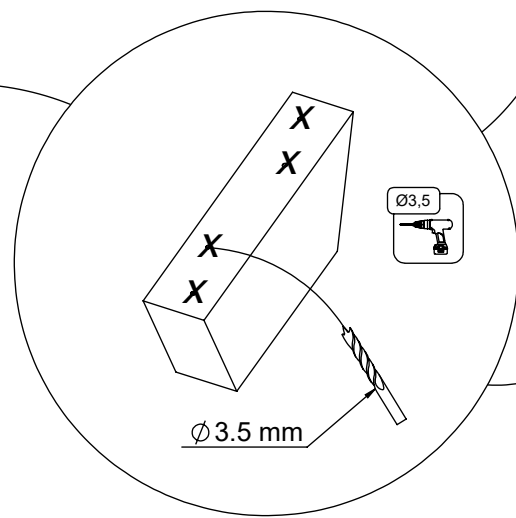


vinci play

[cm]

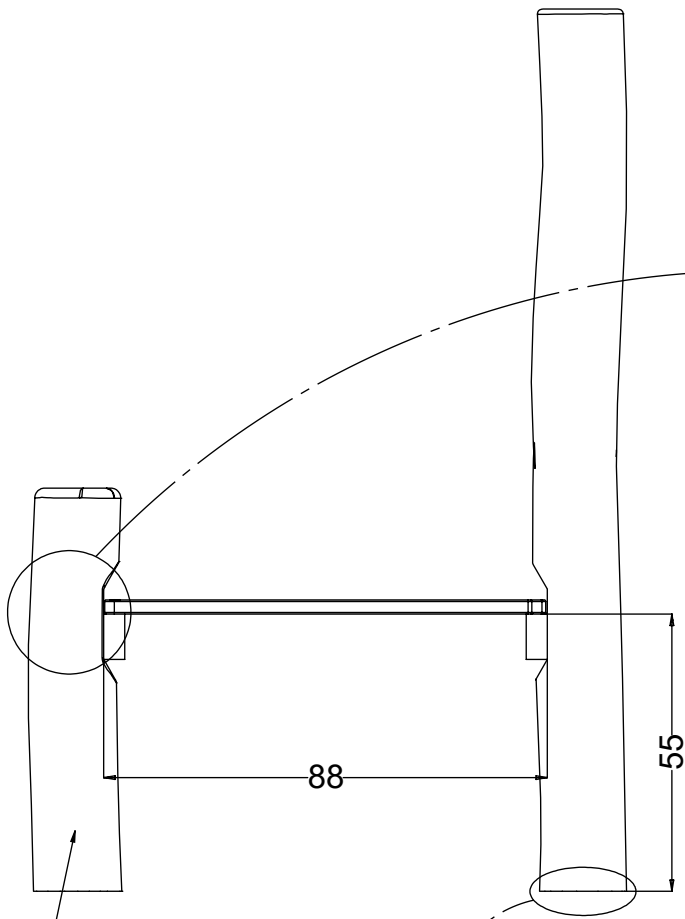


8x 5x80sps



[cm]

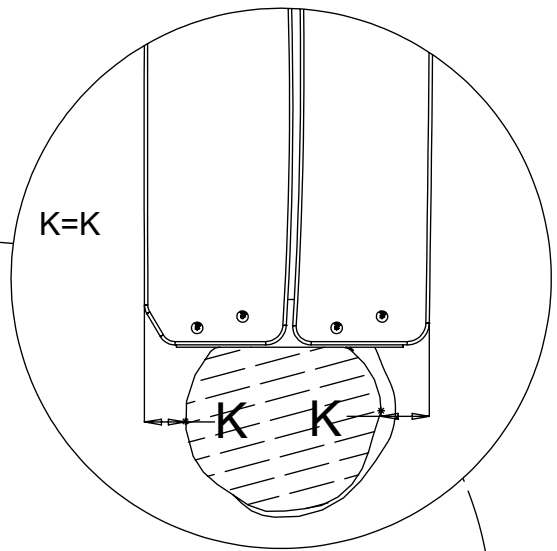
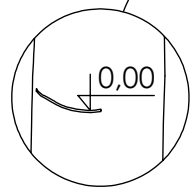
vinci
play



127176

88

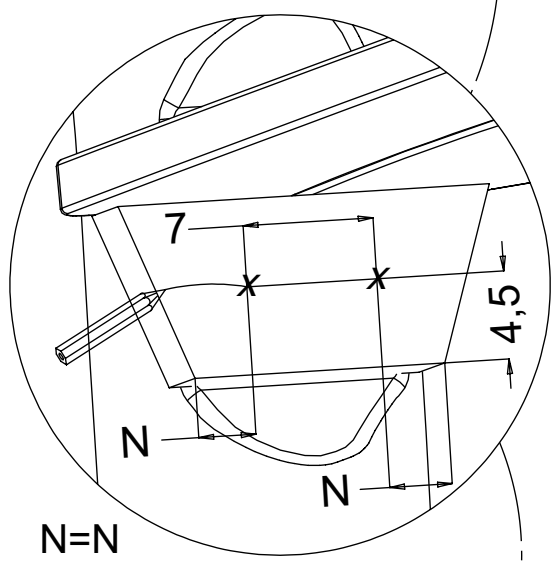
55



K=K

K

K



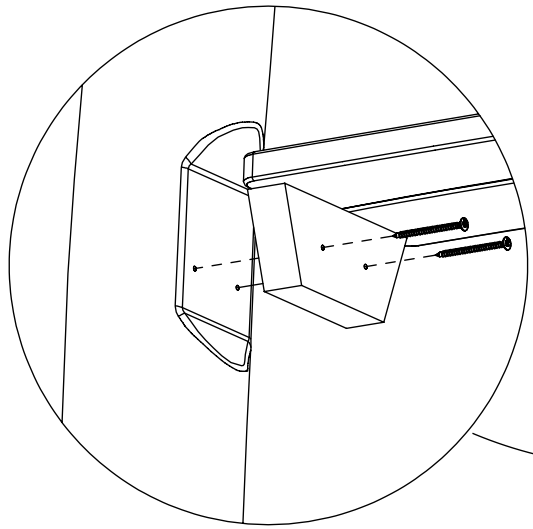
N=N

7

4,5

N

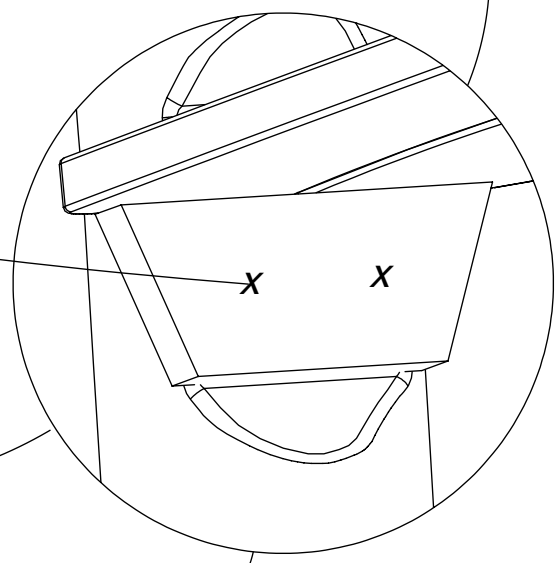
N



4x 8x80sxt

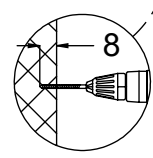


Ø 5,5mm



X

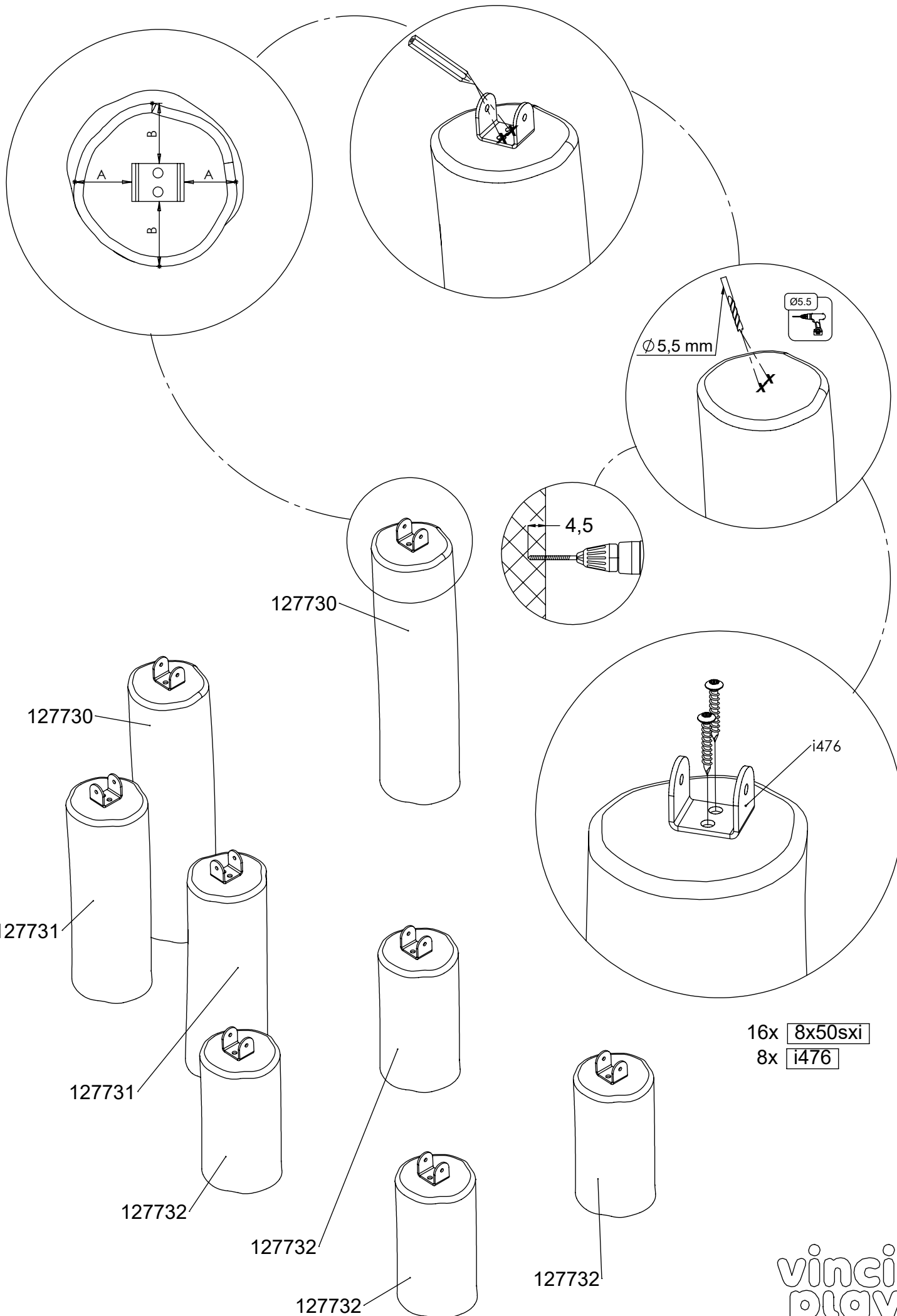
X



8

[cm]

vinci play



127730

127730

127731

127731

127732

127732

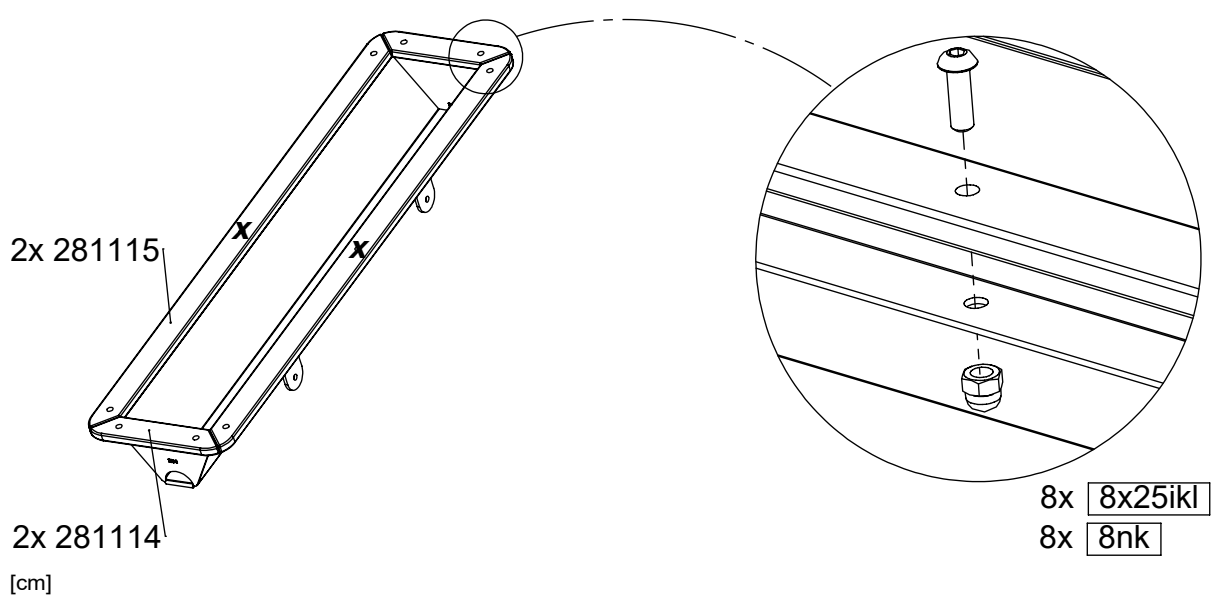
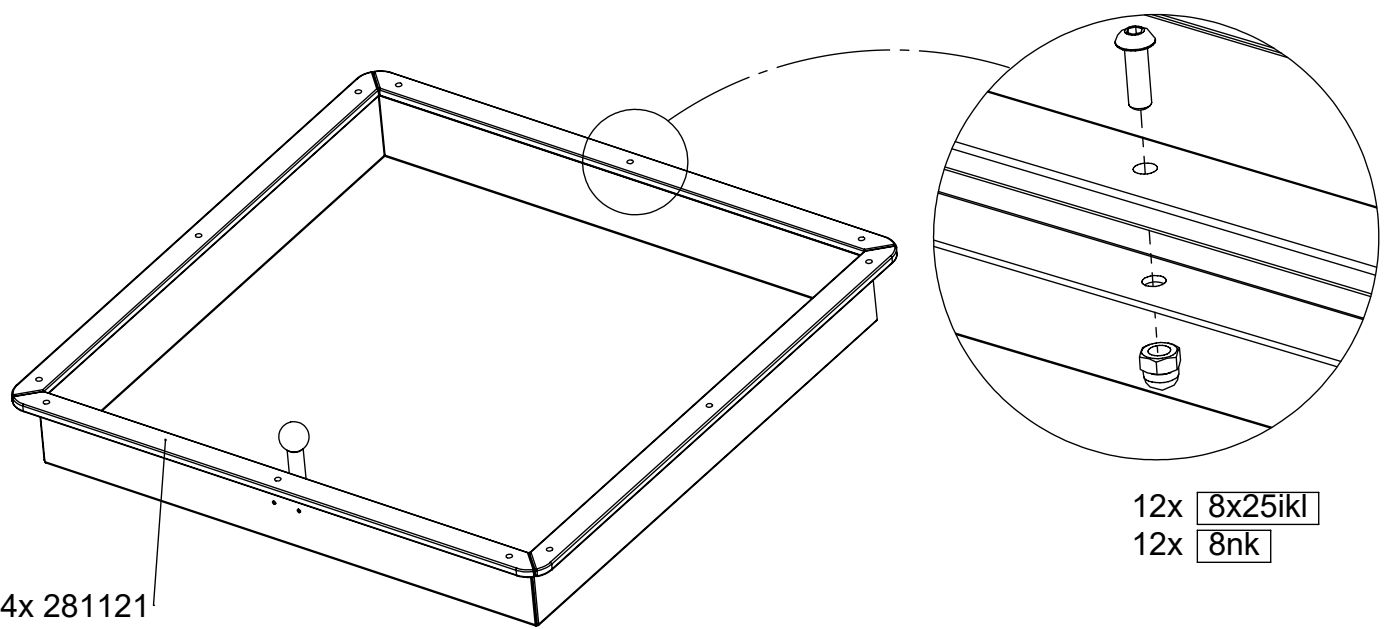
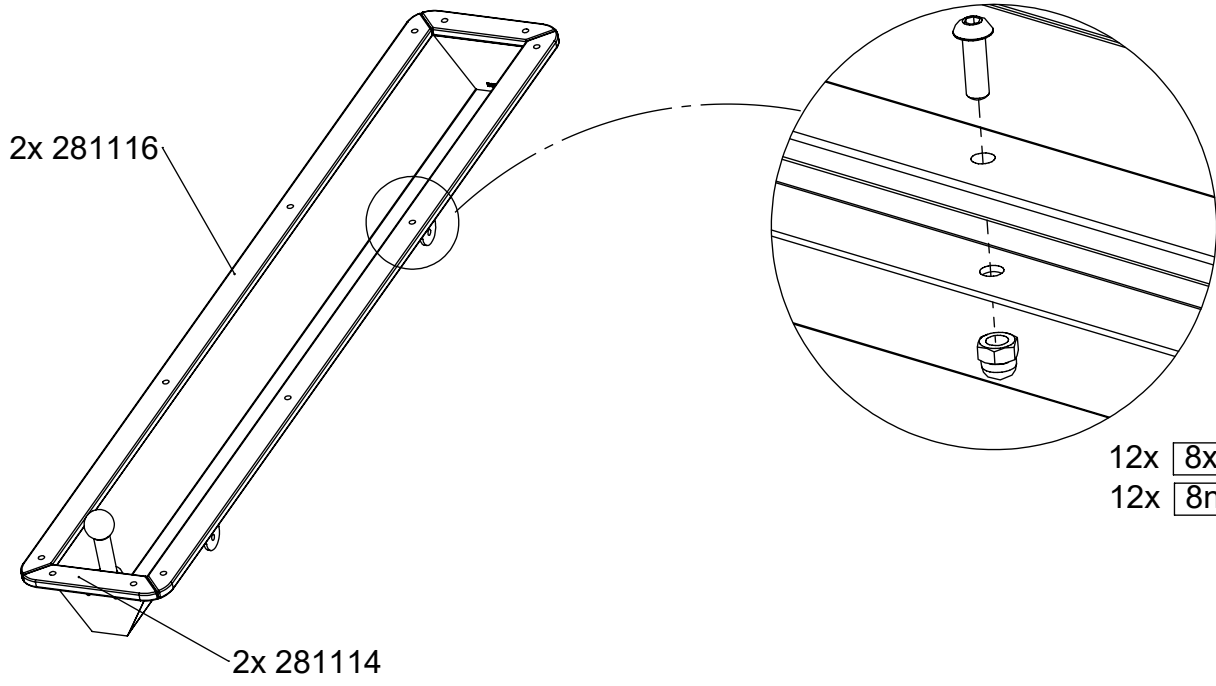
127732

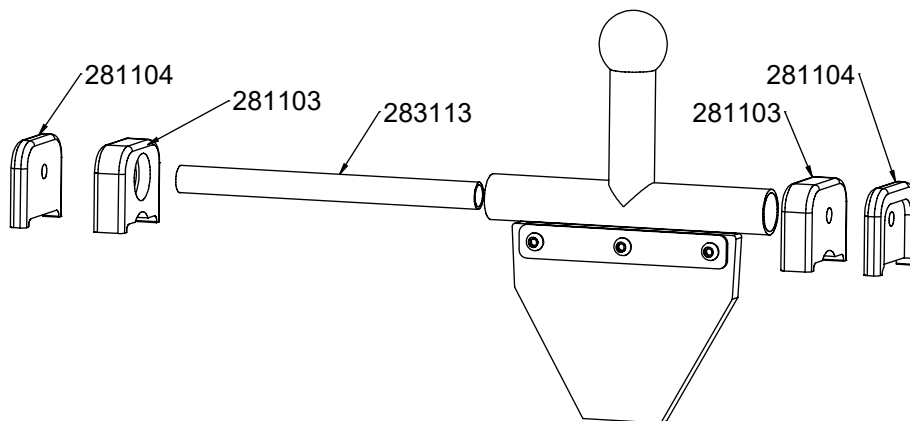
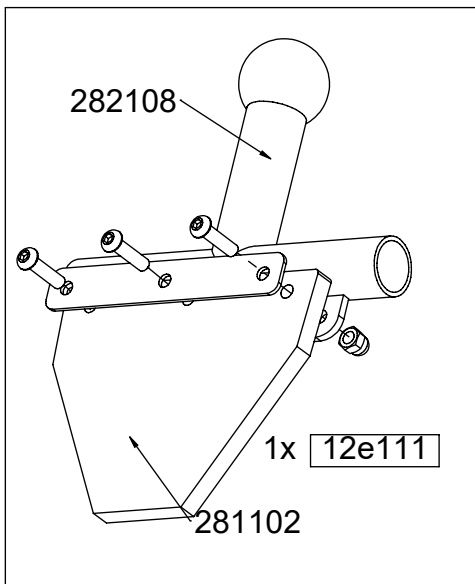
127732

16x **8x50sxi**
8x **i476**

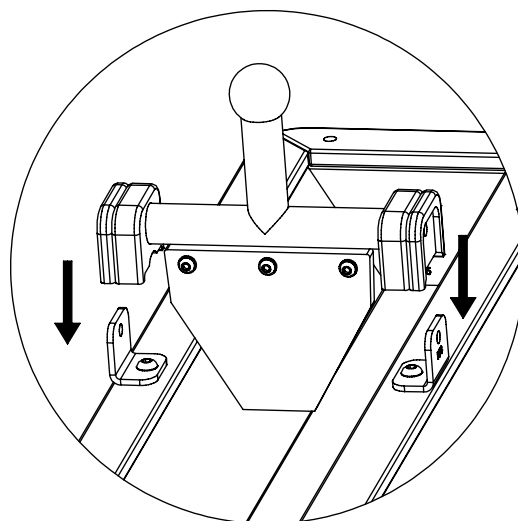
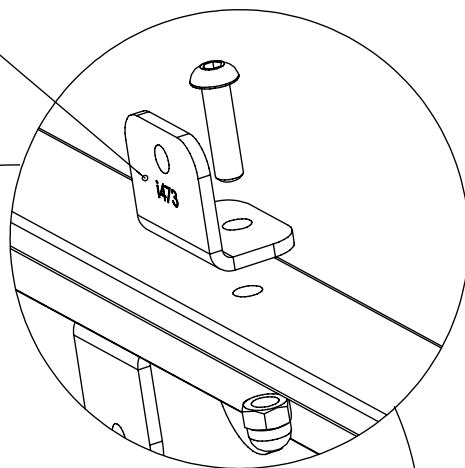
vinci
play

[cm]

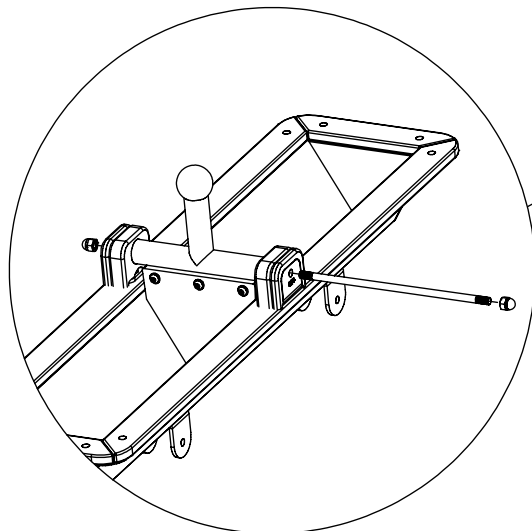




i473



1x 12e112

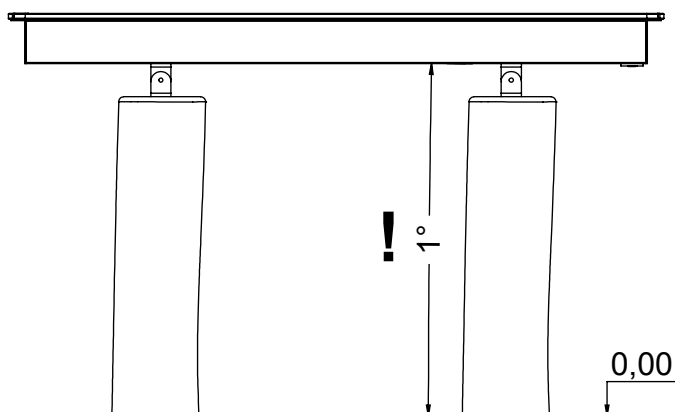
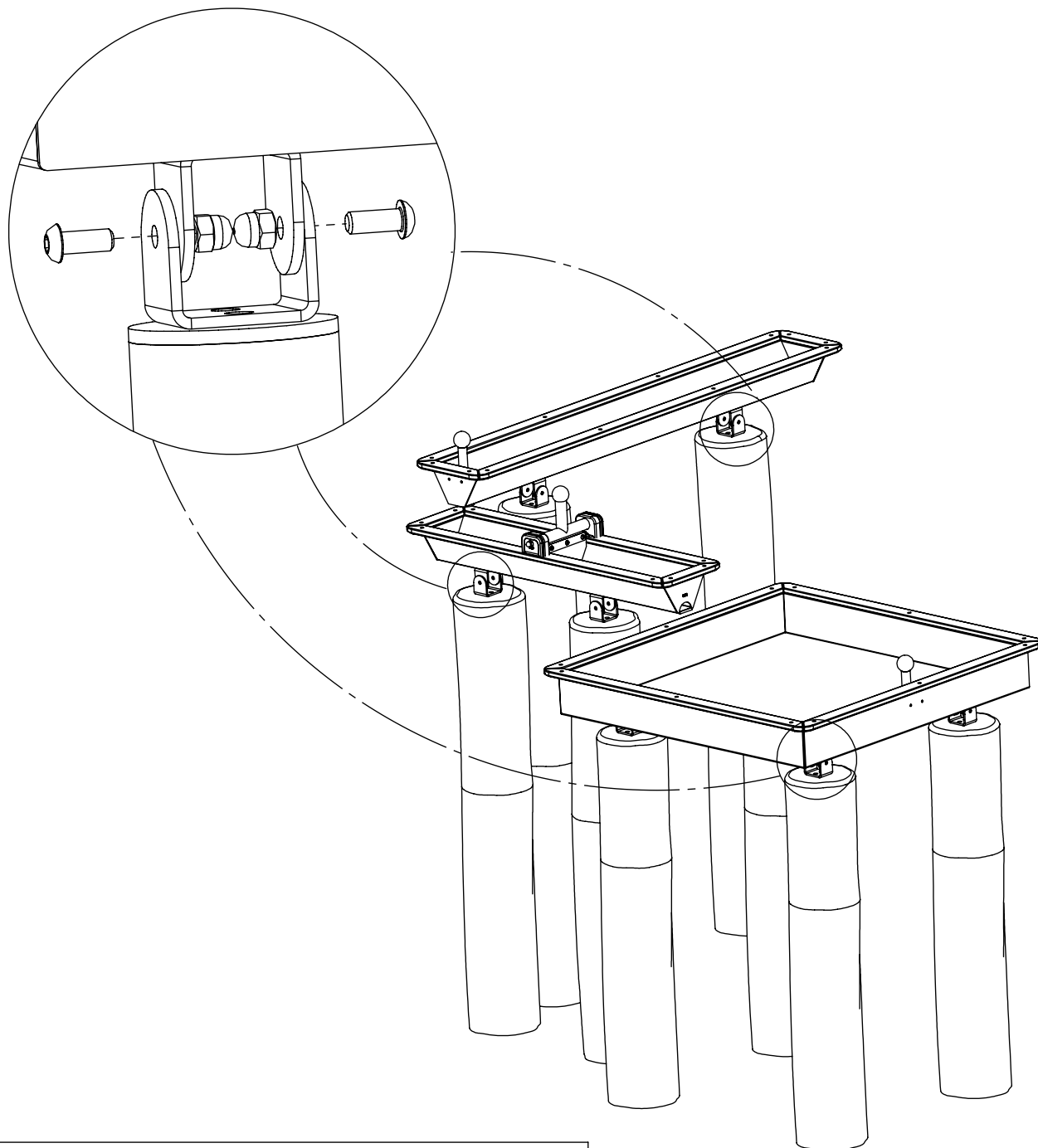


[cm]

vinci
play

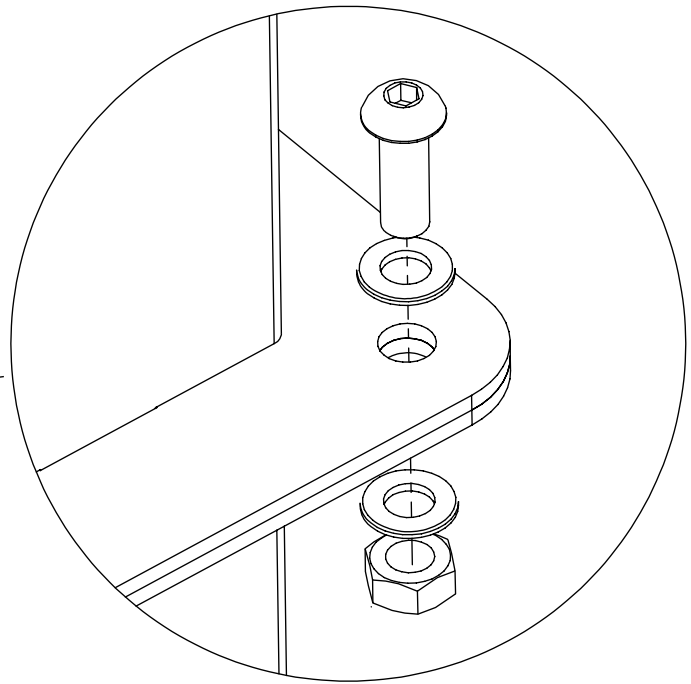
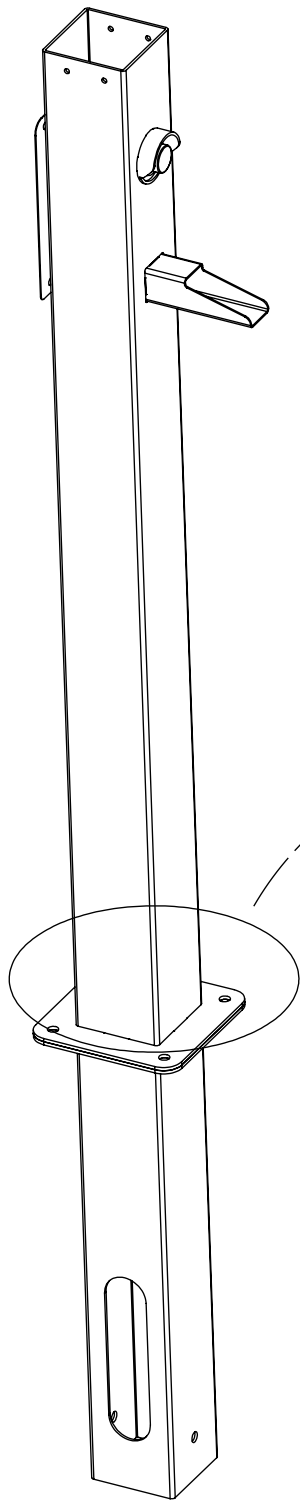
16x 8x16ikl

16x 8nk

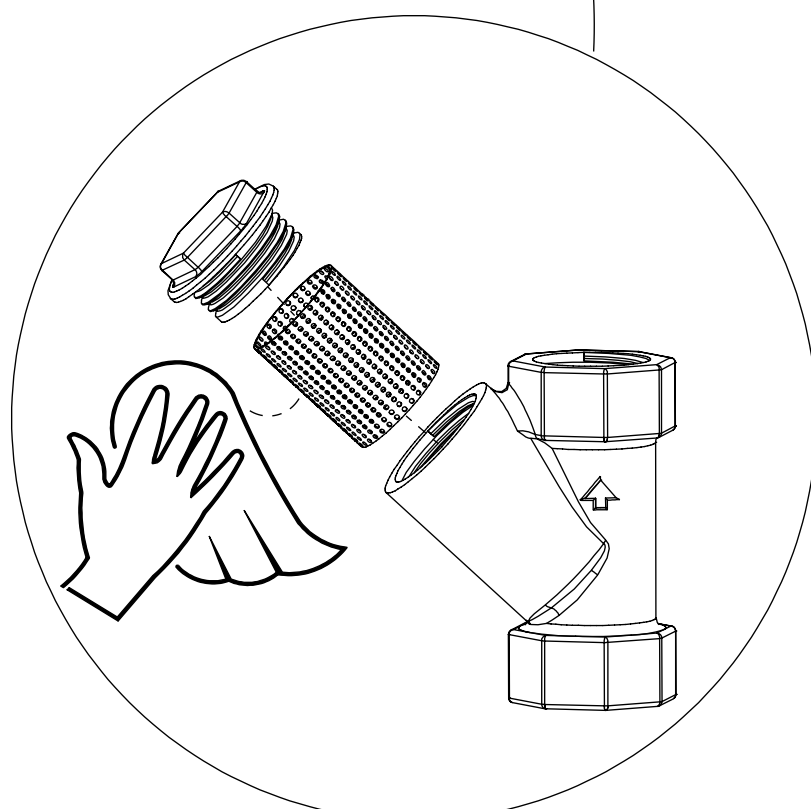
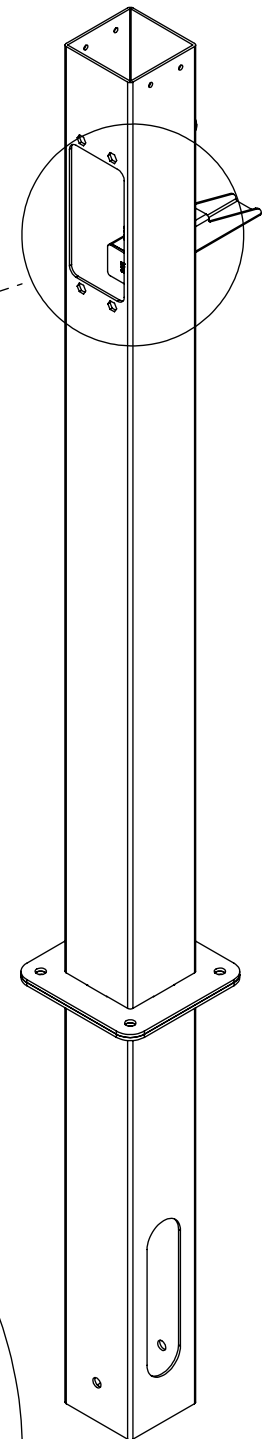
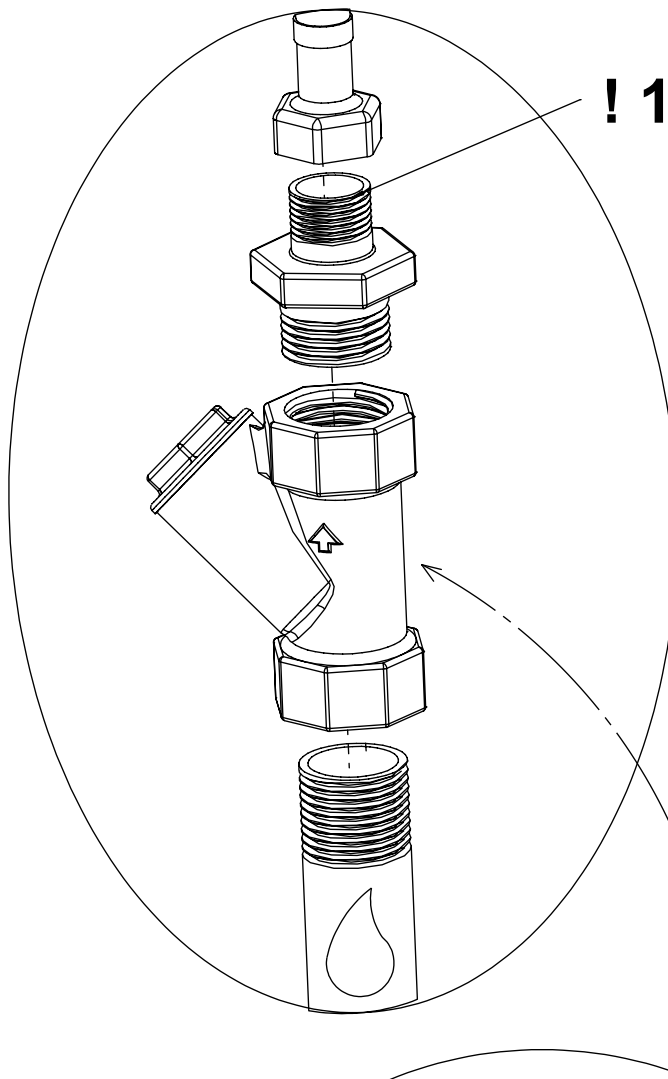


[cm]

vinci
play

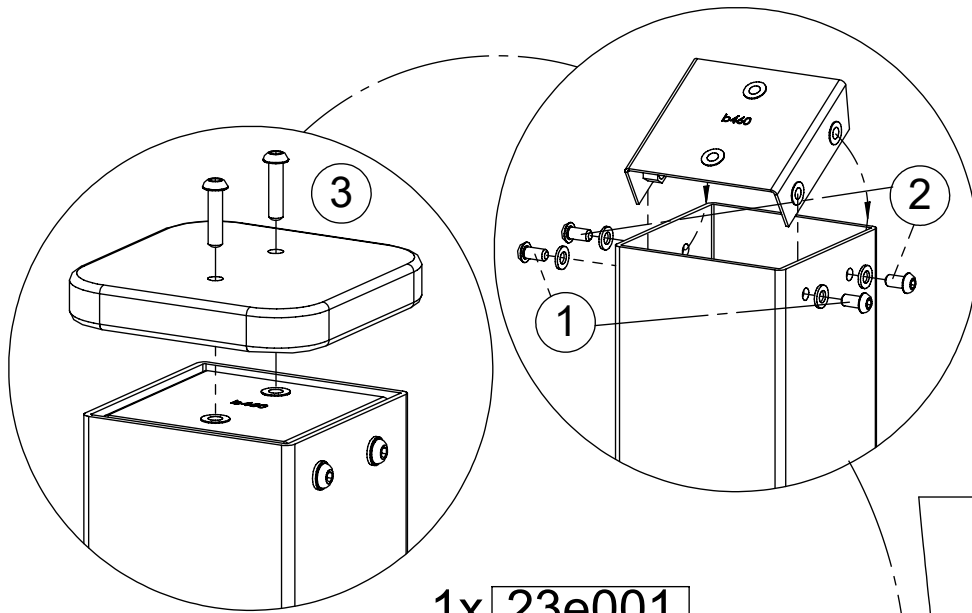


1x 12e113

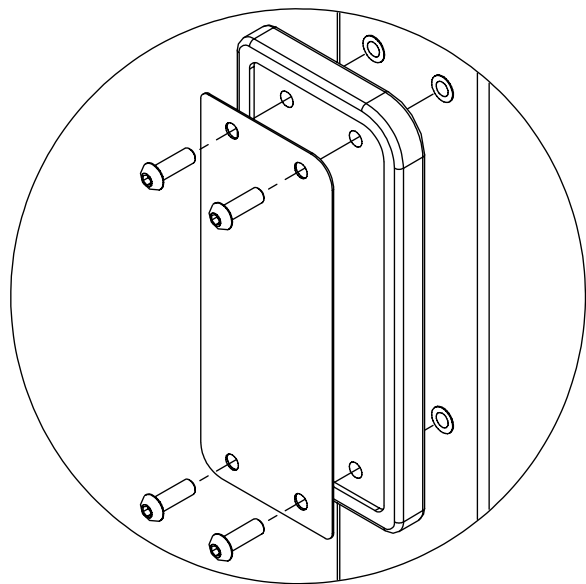


[cm]

vinci
play

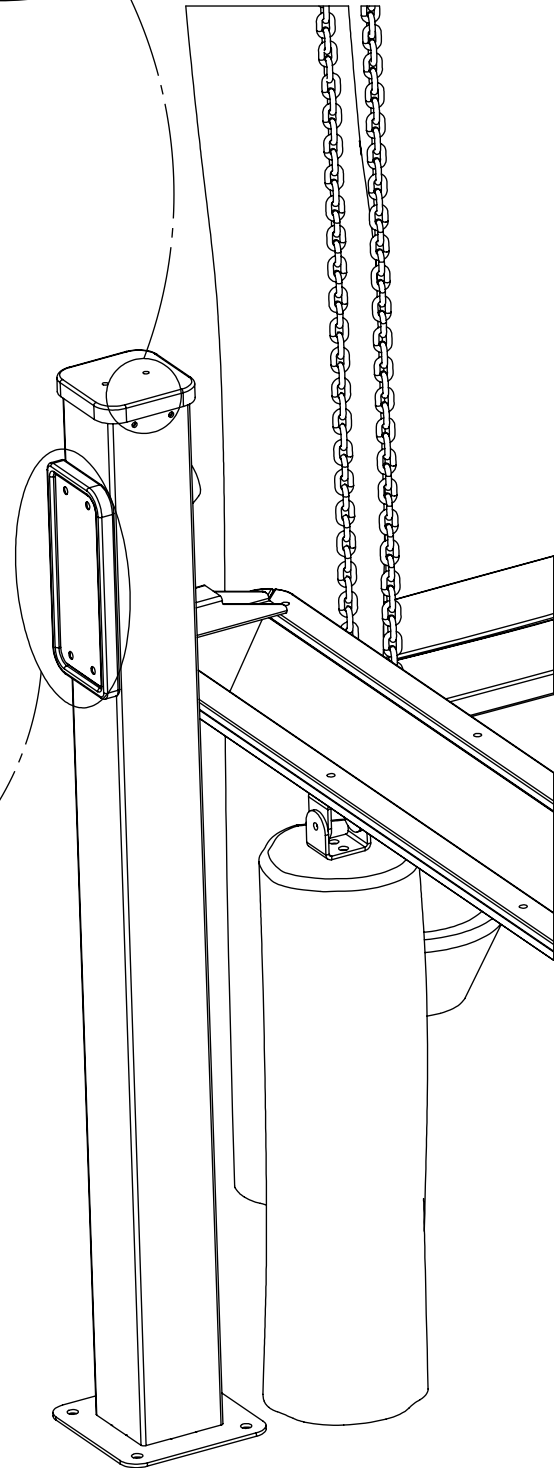


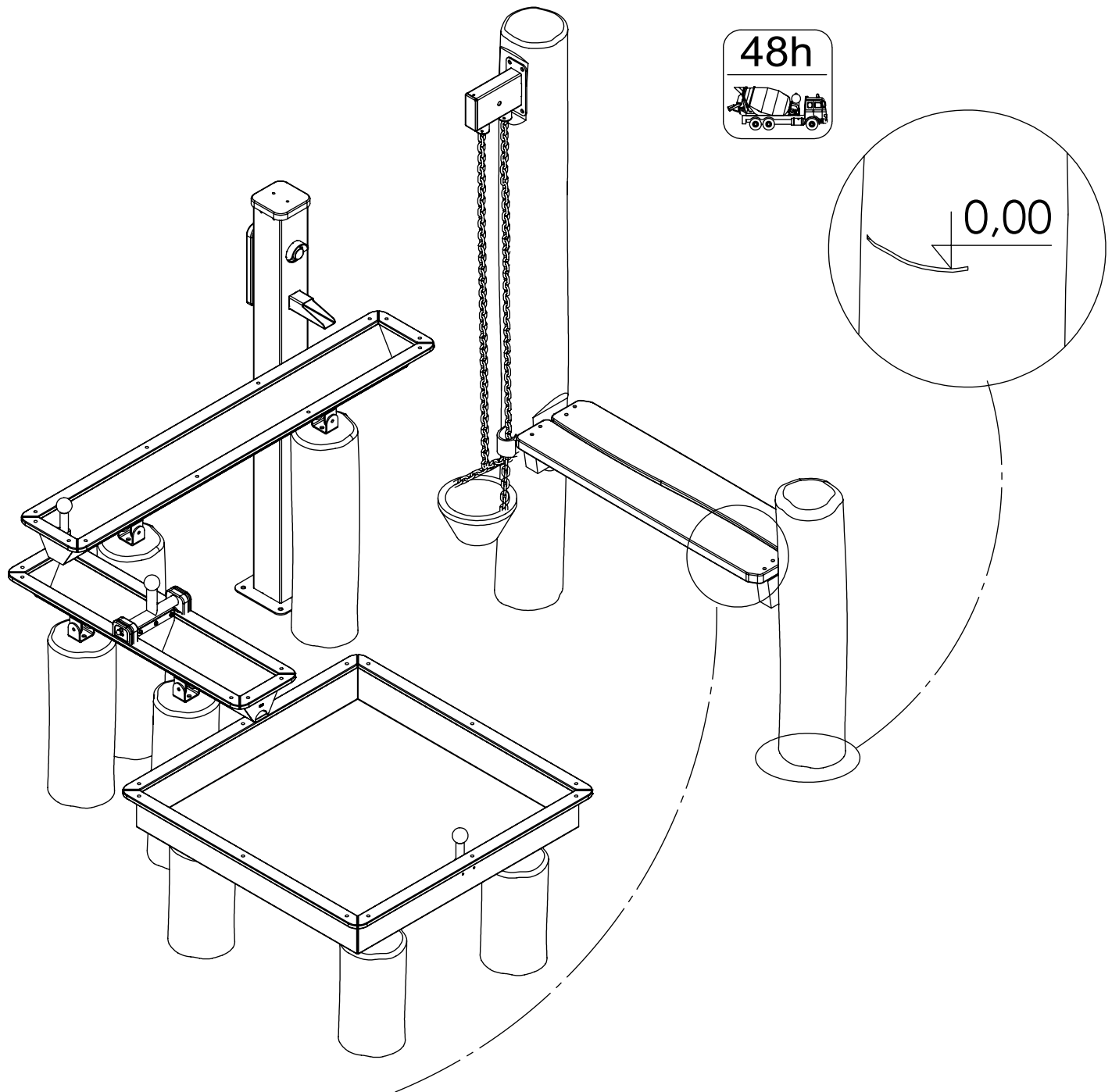
1x 23e001



1x 23e003

1x 286103

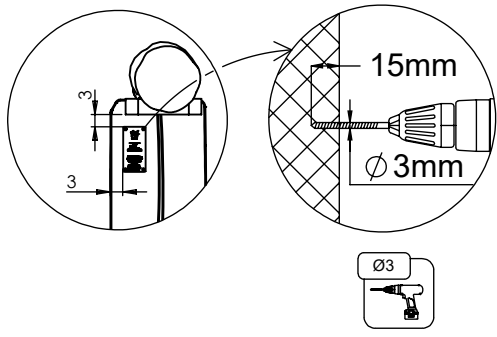




48h



0,00



2,9

vinci play
Art. Nr

Year
202


EN 1170-1: 2017

Vinci Group Sp. z o.o.
Pupły, ul. 10 Maja 8
05-210 Mińsk Maz.
POLAND
+48 22 393 26 00
www.vinci-play.com
www.vinci.com.pl


6,3

V001

Part No:
000000-
00000



000000-00000



[cm]

vinci play