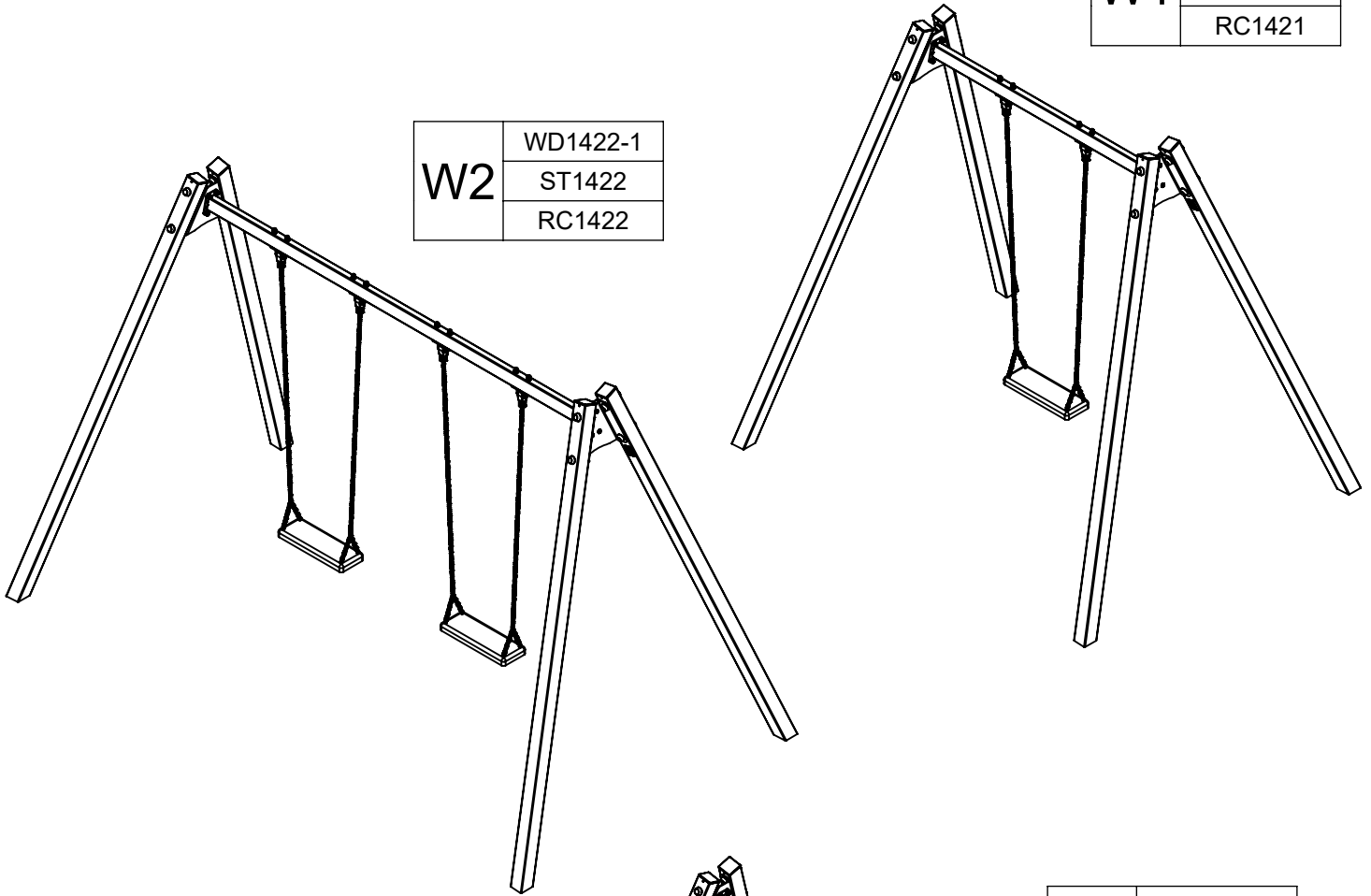


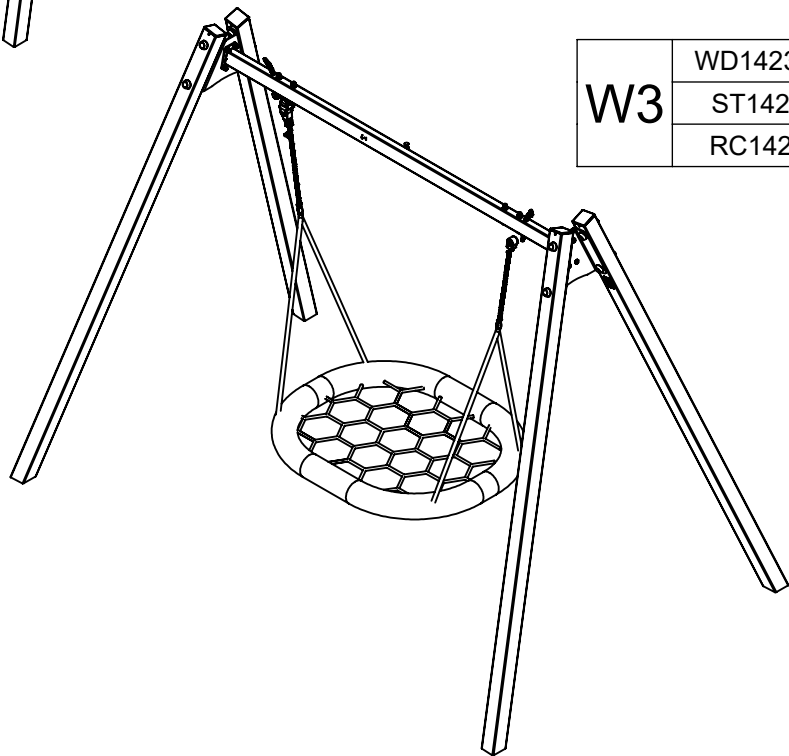
WD/ST/RC








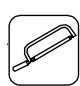



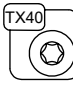






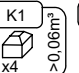
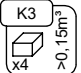

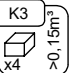
W1	WD1421-1
	ST1421
	RC1421

W2	WD1422-1
	ST1422
	RC1422



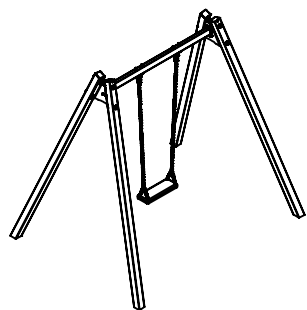
W3	WD1423-1
	ST1423
	RC1423



v015
02.09.2024
M.L.
[cm]

vinci
play

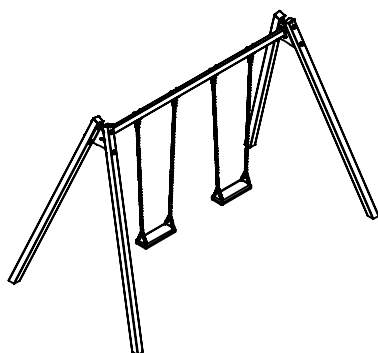
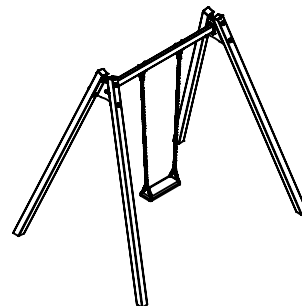
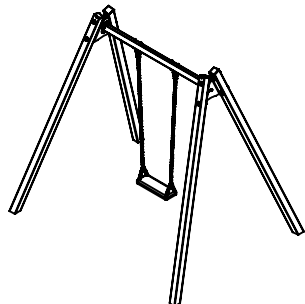
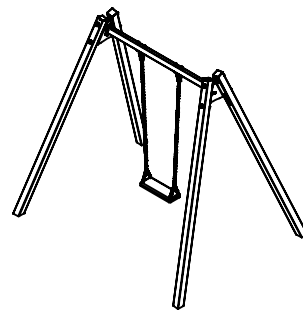


W1

WD1421-1

ST1421

RC1421

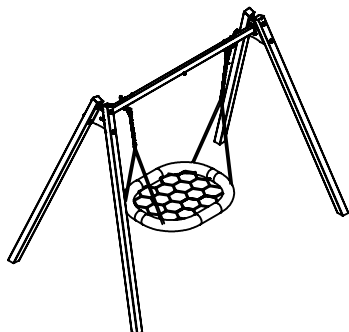
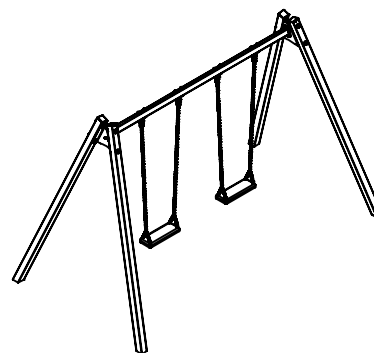
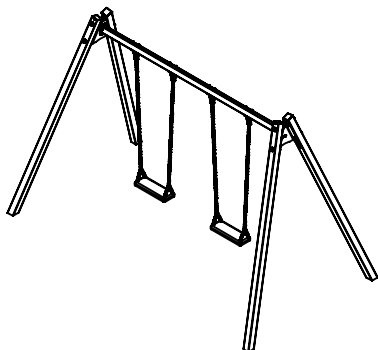
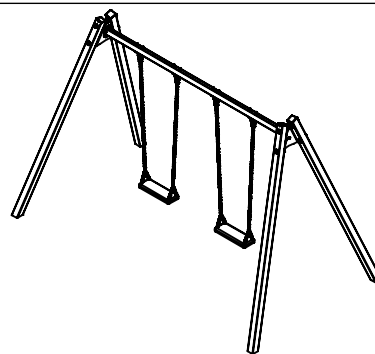


W2

WD1422-1

ST1422

RC1422

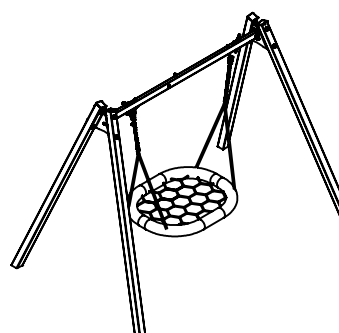
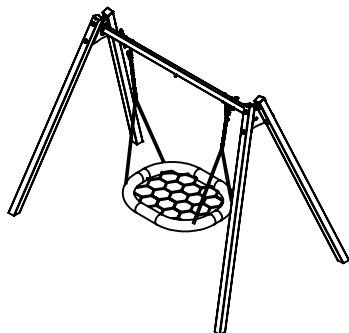
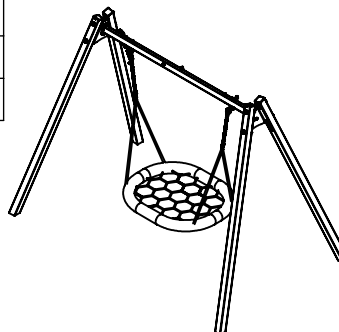


W3

WD1423-1

ST1423

RC1423



[cm]

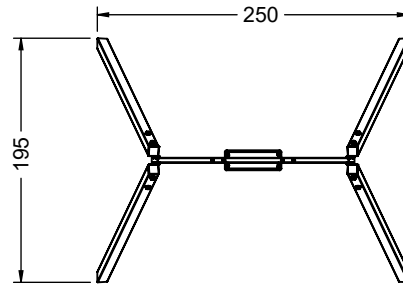
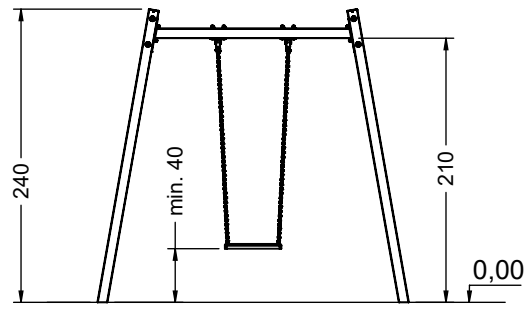
vinci play

W1

WD1421-1

ST1421

RC1421

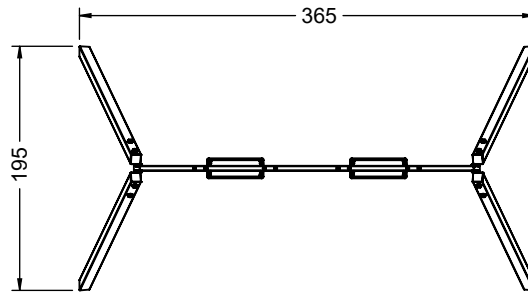
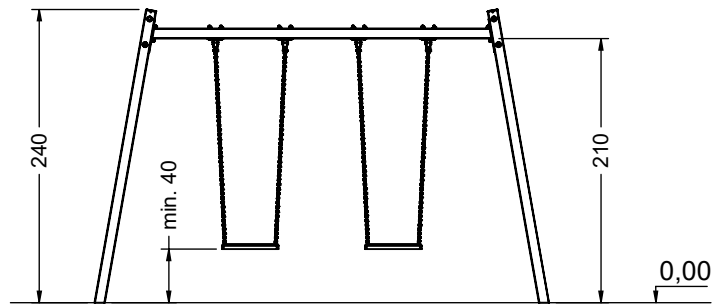


W2

WD1422-1

ST1422

RC1422

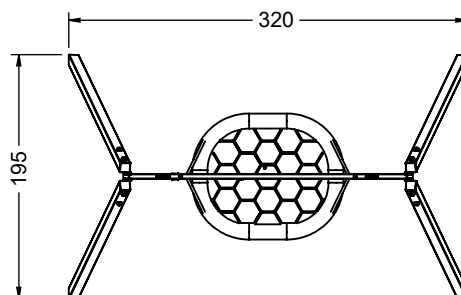
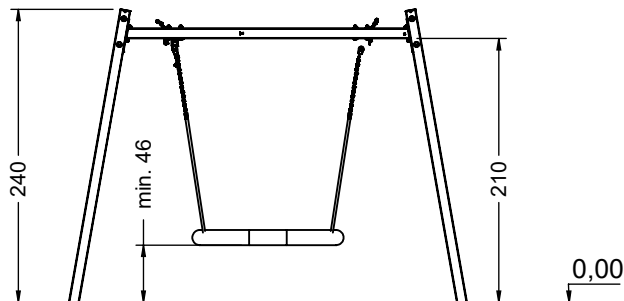


W3

WD1423-1

ST1423

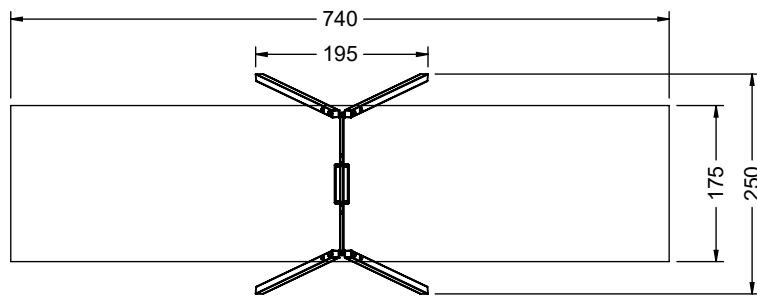
RC1423



[cm]



vinci
play

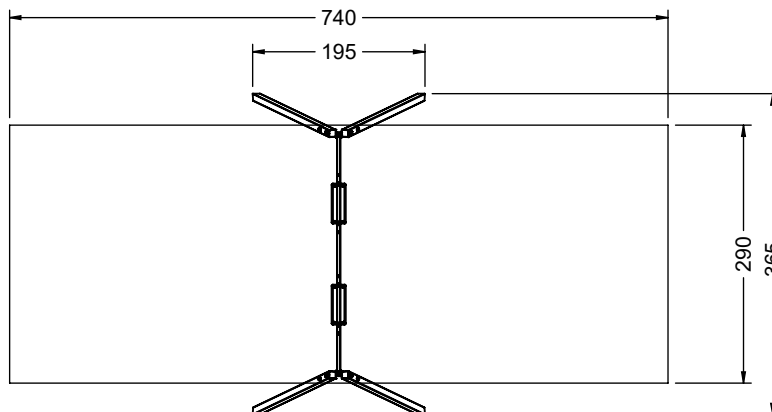


W1

WD1421-1

ST1421

RC1421

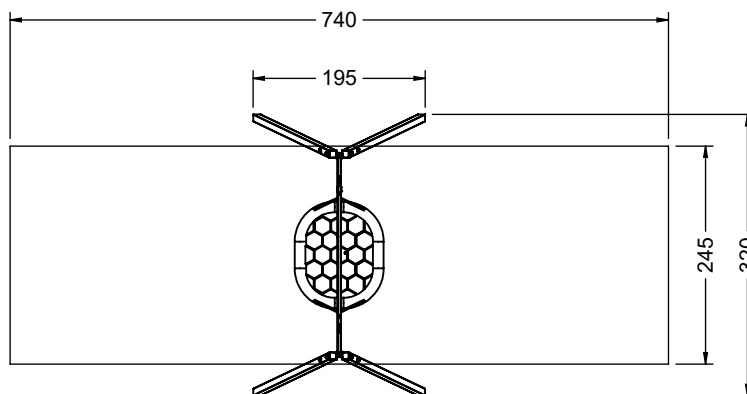


W2

WD1422-1

ST1422

RC1422



W3

WD1423-1

ST1423

RC1423

[cm]

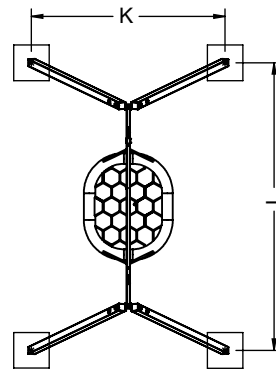
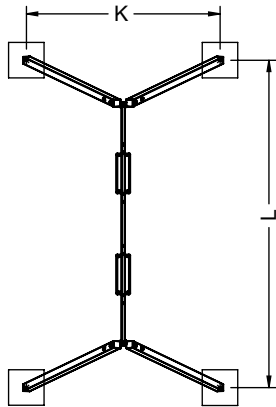
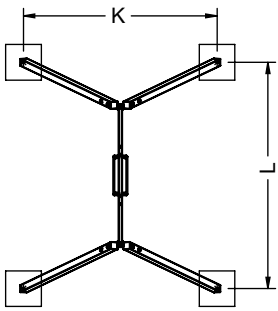


vinci
play

	K,cm	L,cm
K1	218	255
K2	225	259
K3	188	241

	K,cm	L,cm
K1	218	368
K2	225	372
K3	188	355

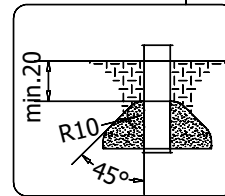
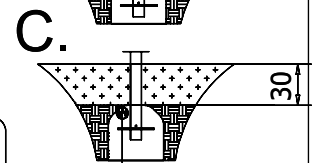
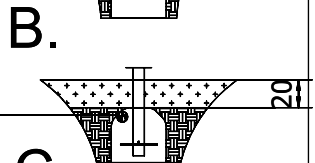
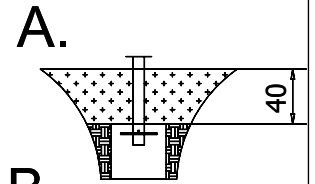
	K,cm	L,cm
K1	218	323
K2	225	327
K3	188	310



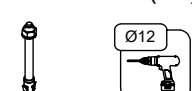
W1	WD1421-1
	ST1421
	RC1421


W2	WD1422-1
	ST1422
	RC1422

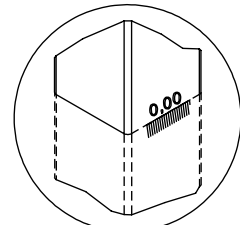
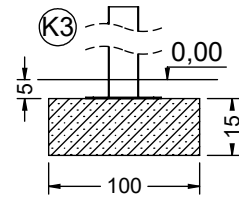
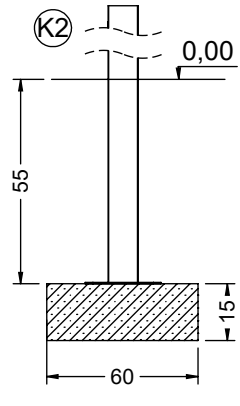
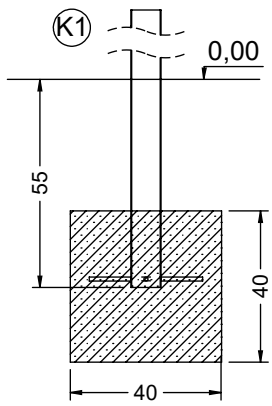
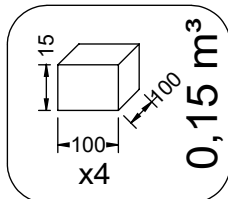
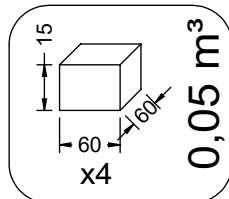
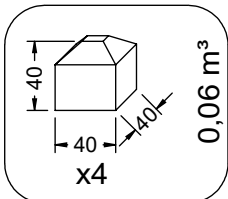
W3	WD1423-1
	ST1423
	RC1423



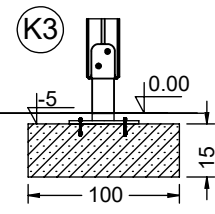
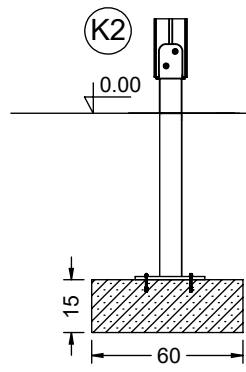
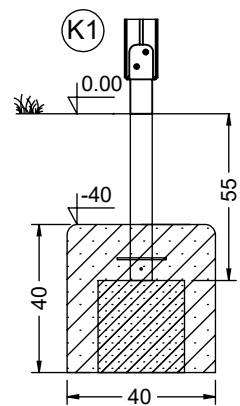
16x M12x120 (K2)
16x M12x120 (K3)



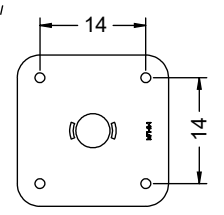
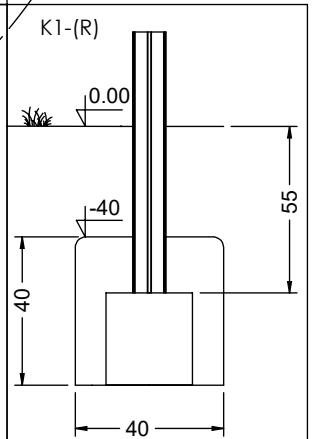
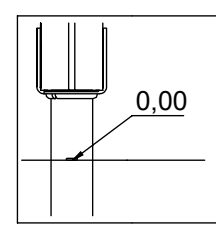
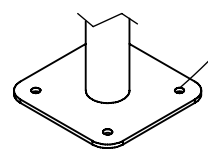
NOT INCLUDED 



ST



WD



[cm]

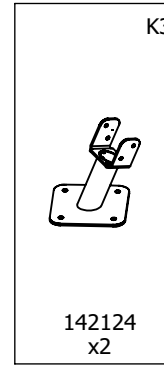
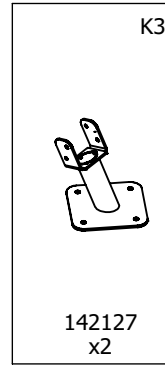
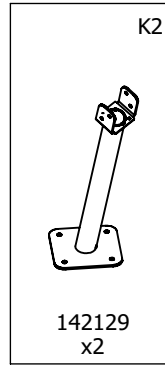
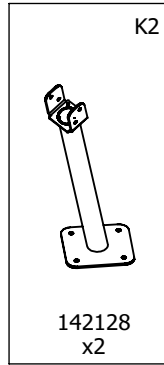
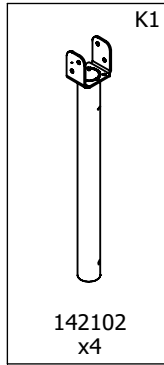
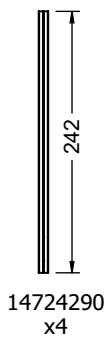


2h

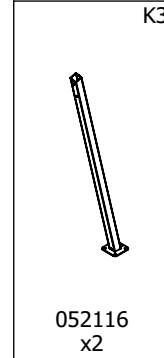
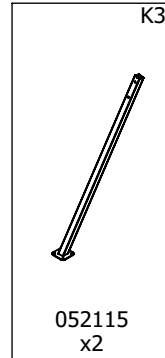
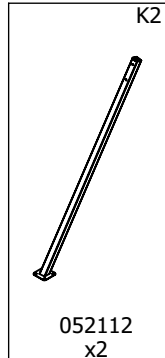


vinci play

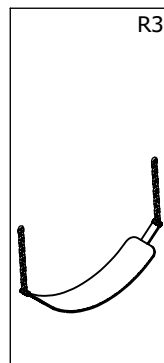
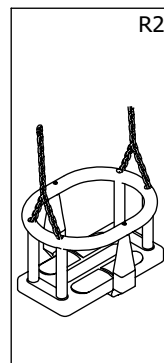
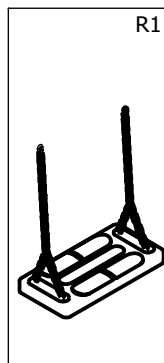
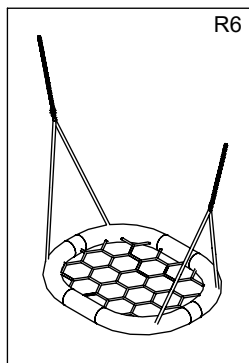
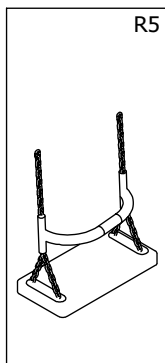
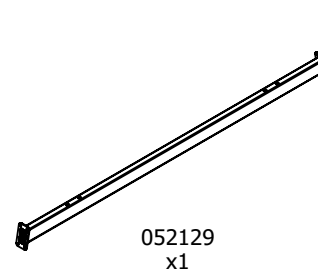
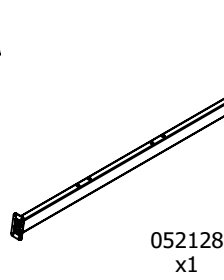
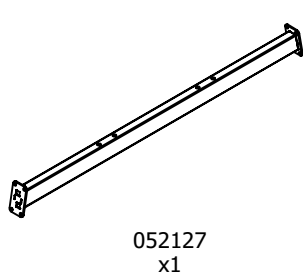
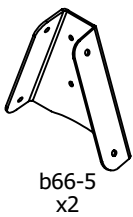
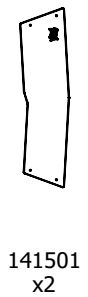
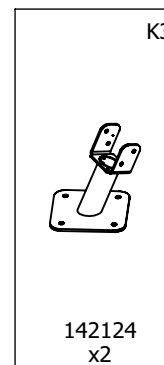
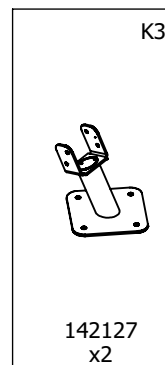
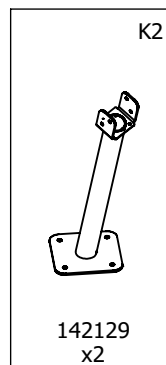
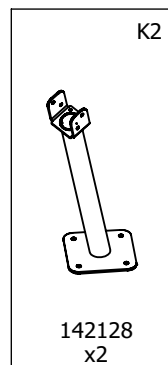
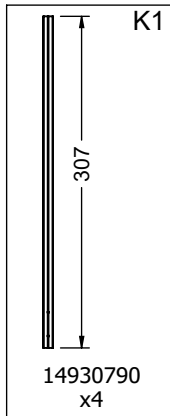
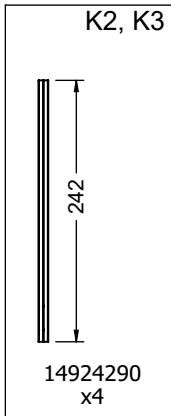
WD



ST



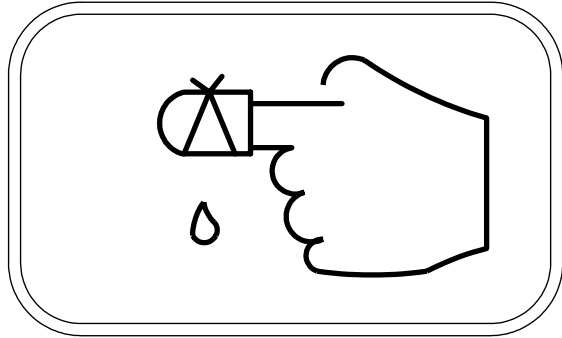
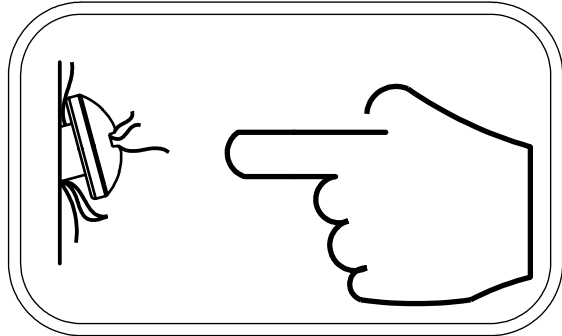
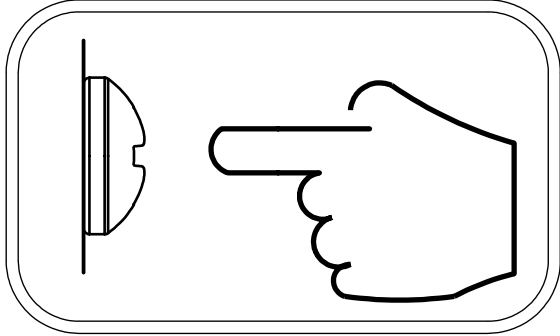
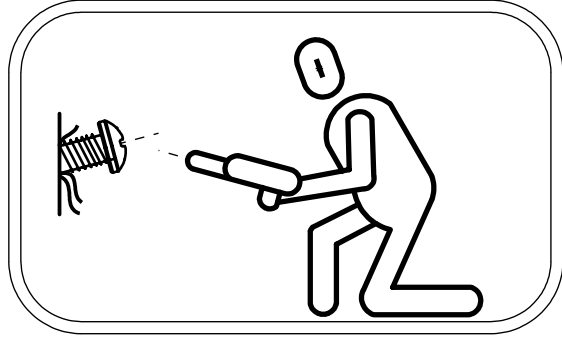
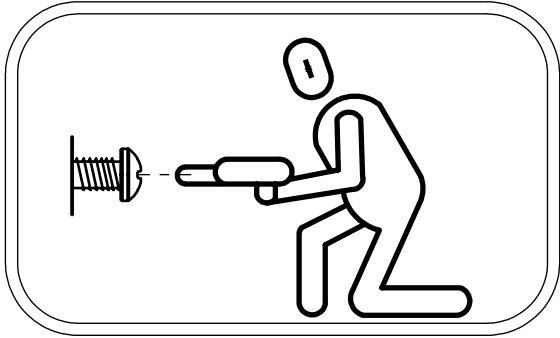
RC



[cm]

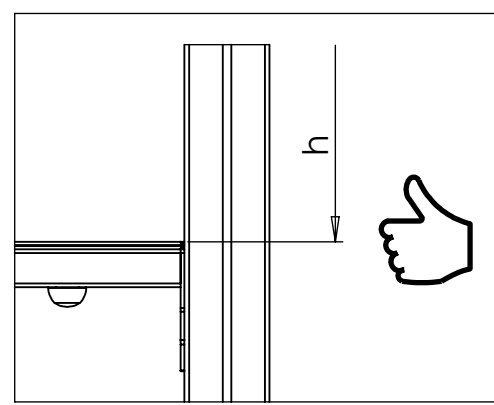
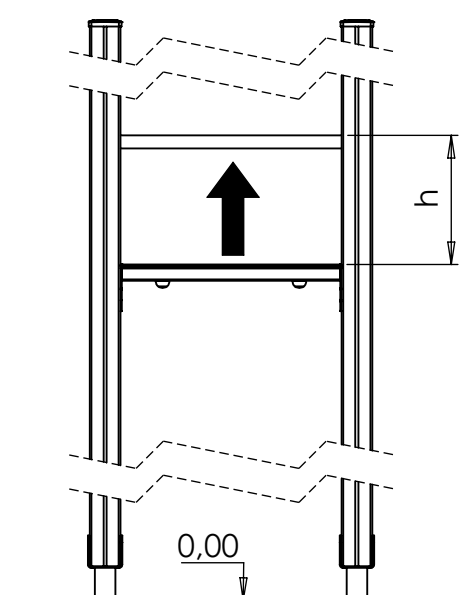
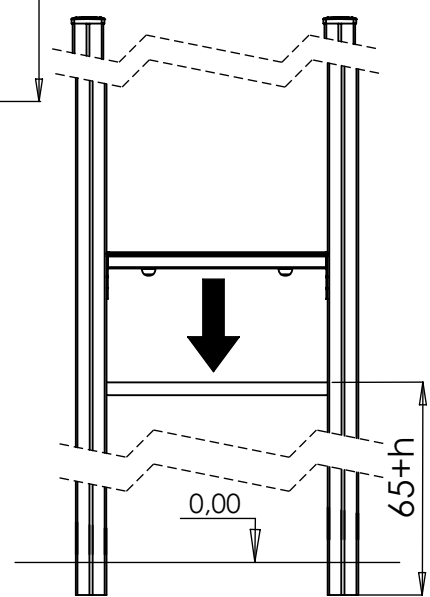
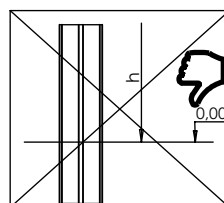
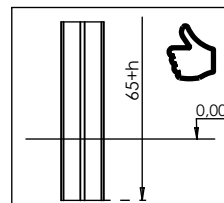
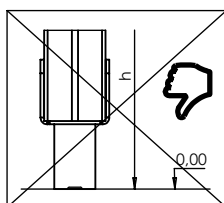
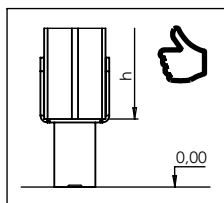
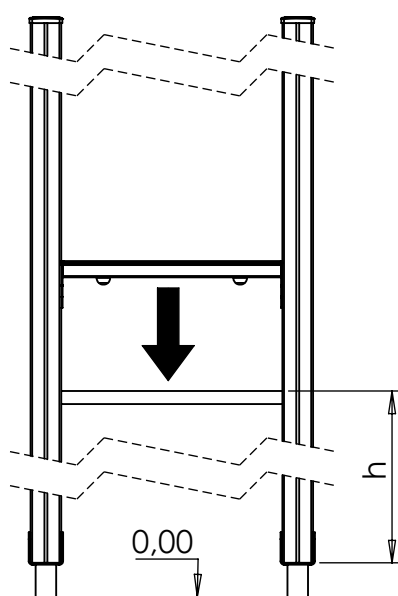
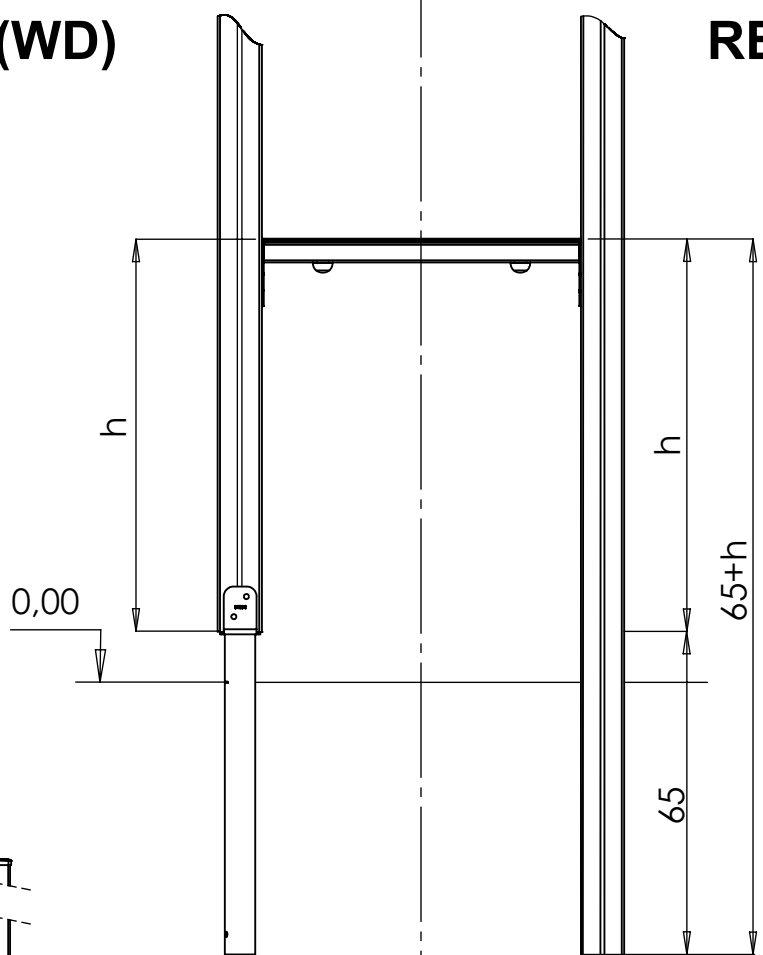
vinci
play

	W1	W2	W3
WD	16x 8x50 sxi 4x WD1 2x WD62 1x E60 1x E62 1x V001 x E164 (R1) x E165 (R2) x E168 (R3) x E164 (R5)	16x 8x50 sxi 4x WD1 2x WD62 1x E60 2x E62 1x V001 x E164 (R1) x E165 (R2) x E168 (R3) x E164 (R5)	16x 8x50 sxi 4x WD1 2x WD62 1x E60 1x E63 1x V001
ST	1x E60 1x E62 2x E64 1x V002 x E164 (R1) x E165 (R2) x E168 (R3) x E164 (R5)	1x E60 2x E62 2x E64 1x V002 x E164 (R1) x E165 (R2) x E168 (R3) x E164 (R5)	1x E60 1x E63 2x E64 1x V002
RC	16x 8x50 sxi (K2,K3) 8x 8x50 sxi 4x WD1 2x WD62 1x E60 1x E62 1x V001 x E164 (R1) x E165 (R2) x E168 (R3) x E164 (R5)	16x 8x50 sxi (K2,K3) 8x 8x50 sxi 4x WD1 2x WD62 1x E60 2x E62 1x V001 x E164 (R1) x E165 (R2) x E168 (R3) x E164 (R5)	16x 8x50 sxi (K2,K3) 8x 8x50 sxi 4x WD1 2x WD62 1x E60 1x E63 1x V001



WOOD - (WD)

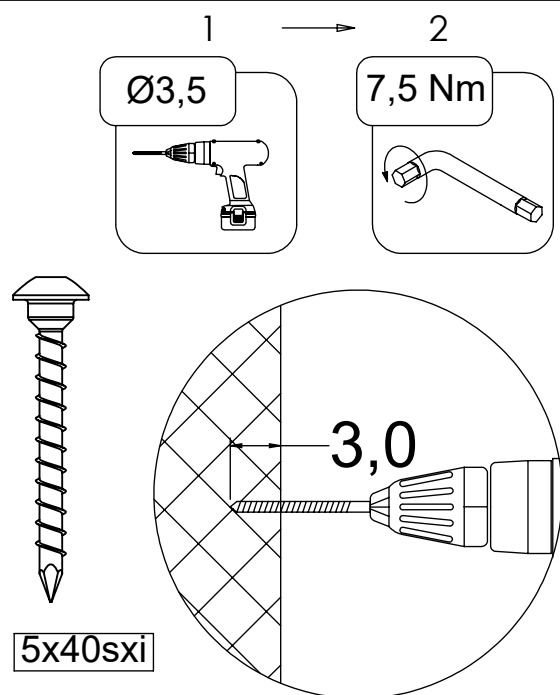
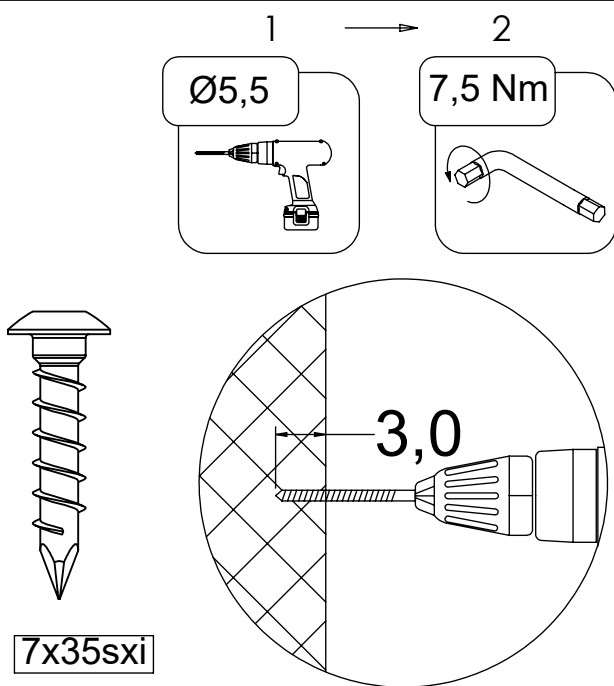
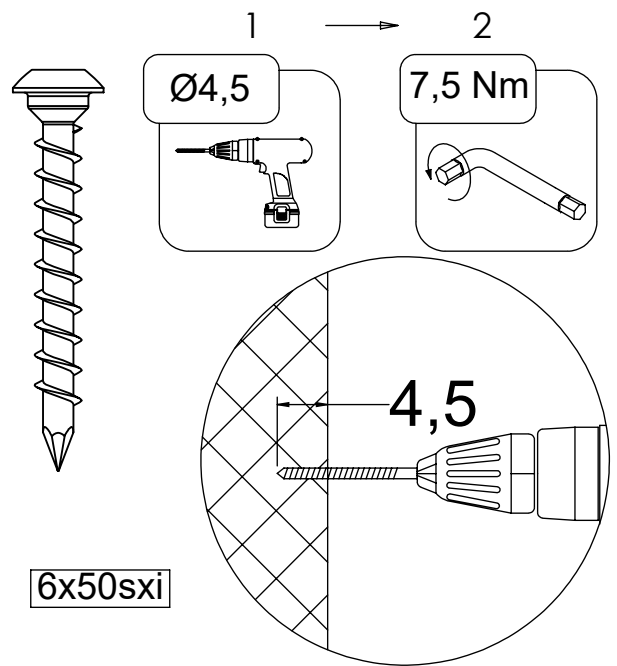
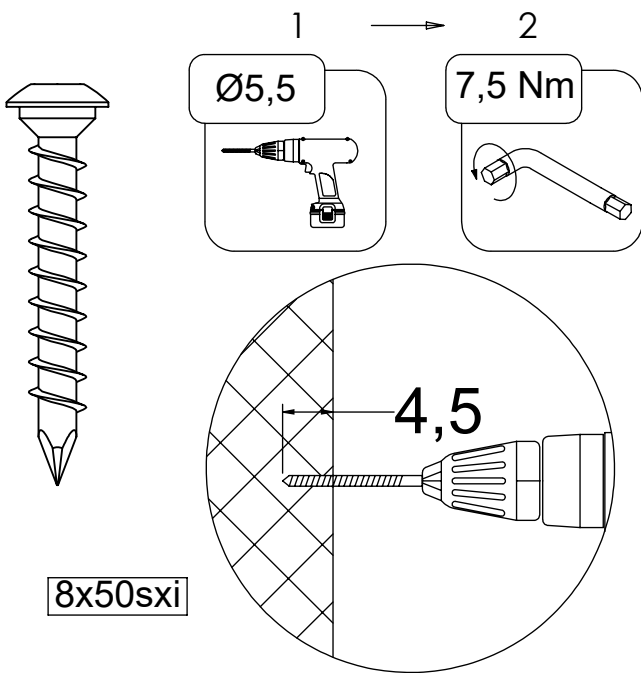
RECYCLED - (RC)



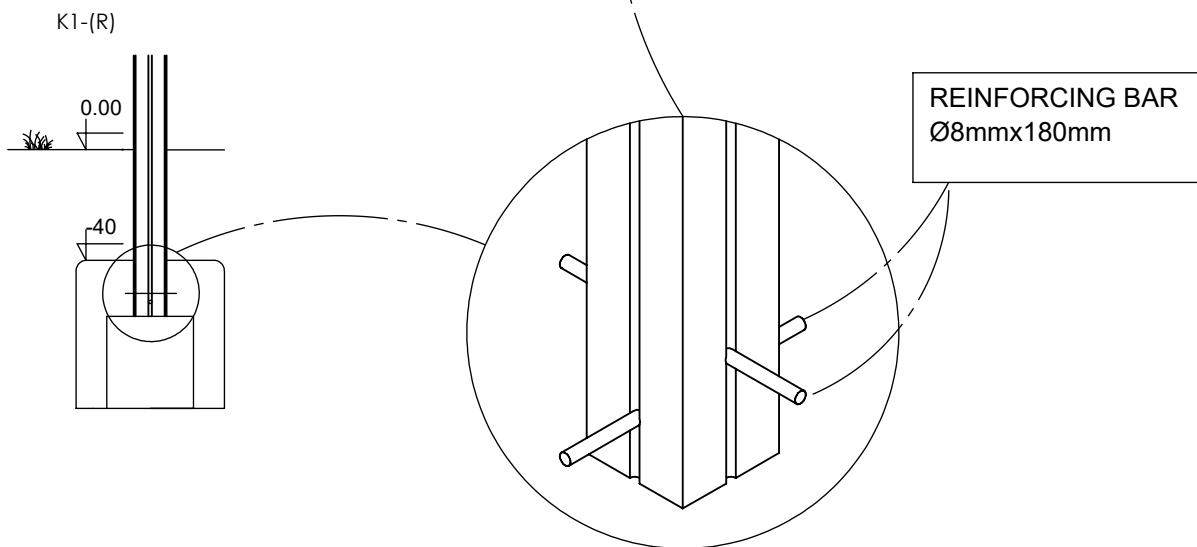
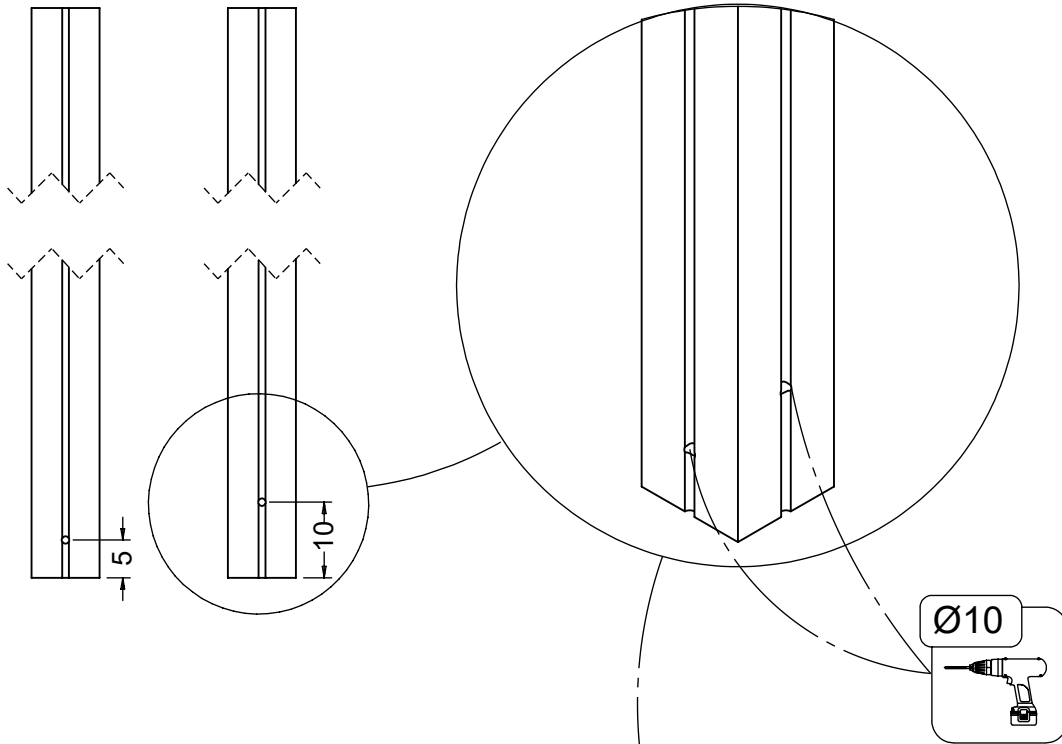
[cm]

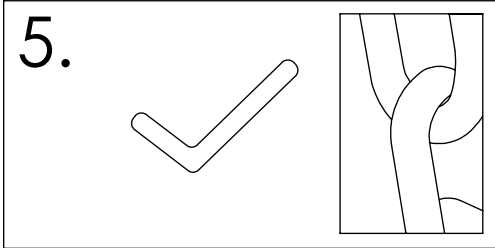
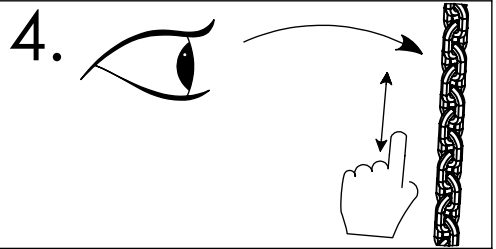
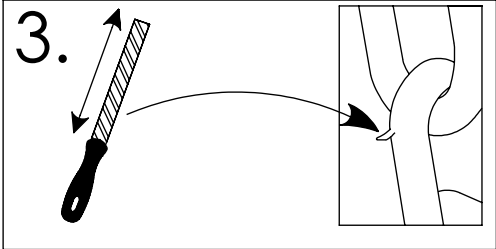
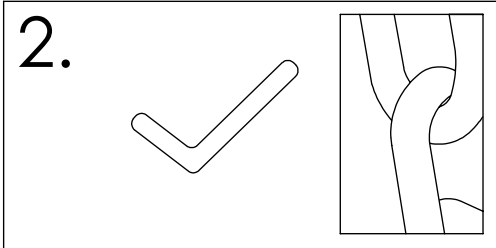
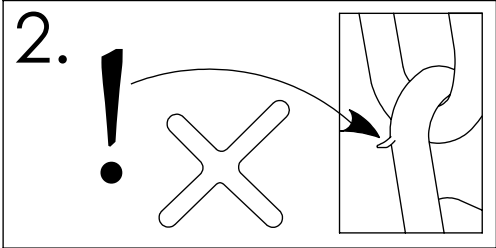
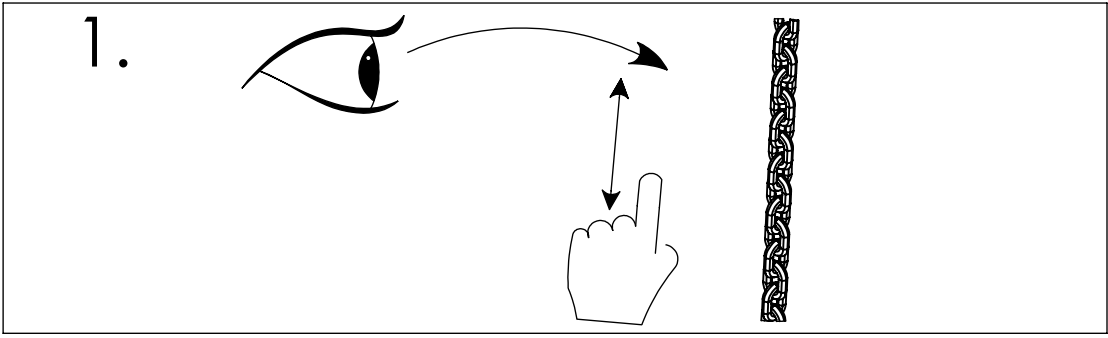
vinci play

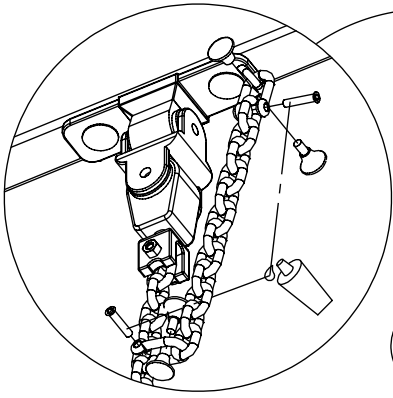
RC!



RC !

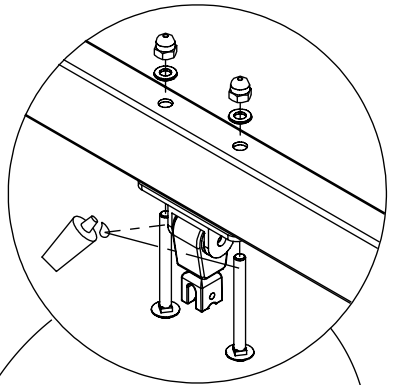
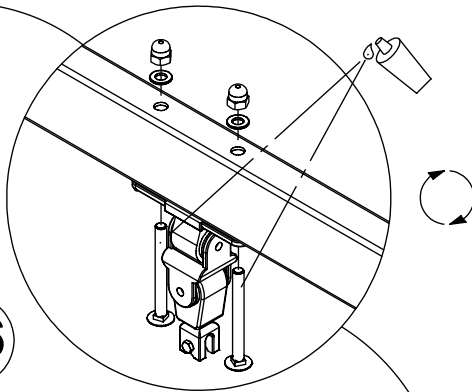




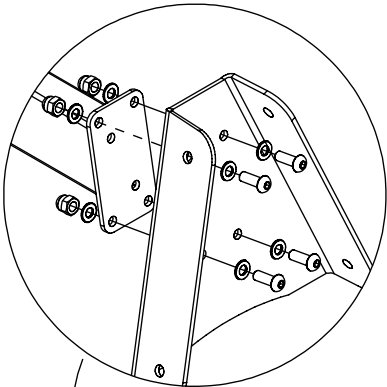
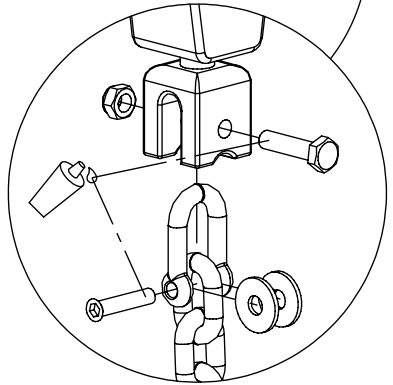


R6

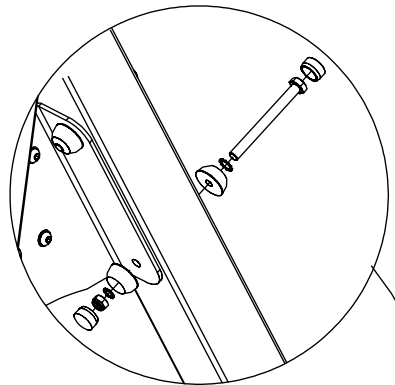
E63



E62

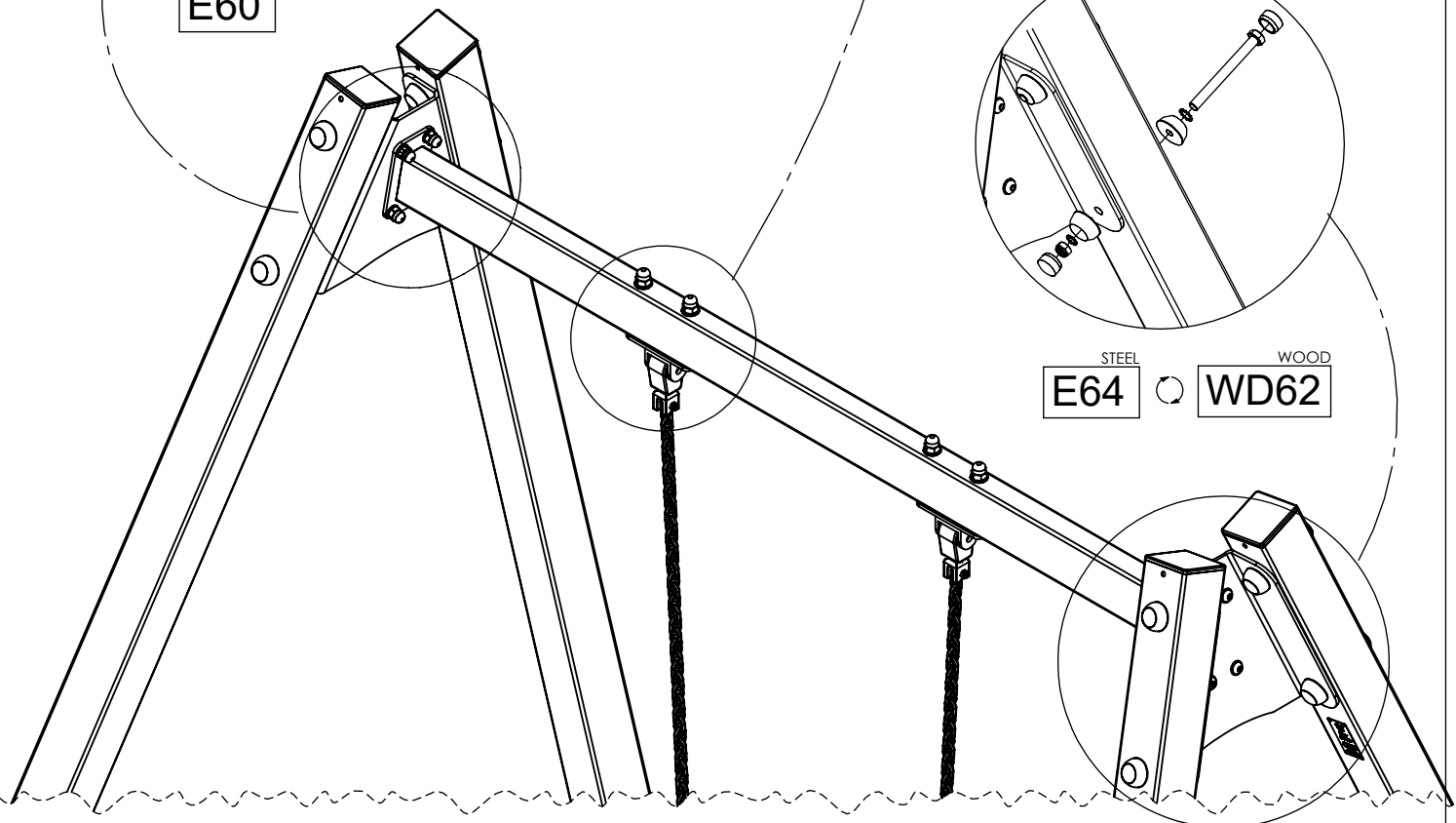


E60

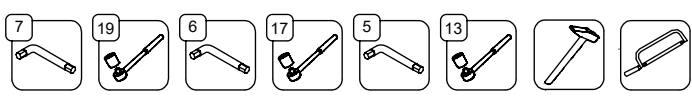


STEEL
E64

WOOD
WD62

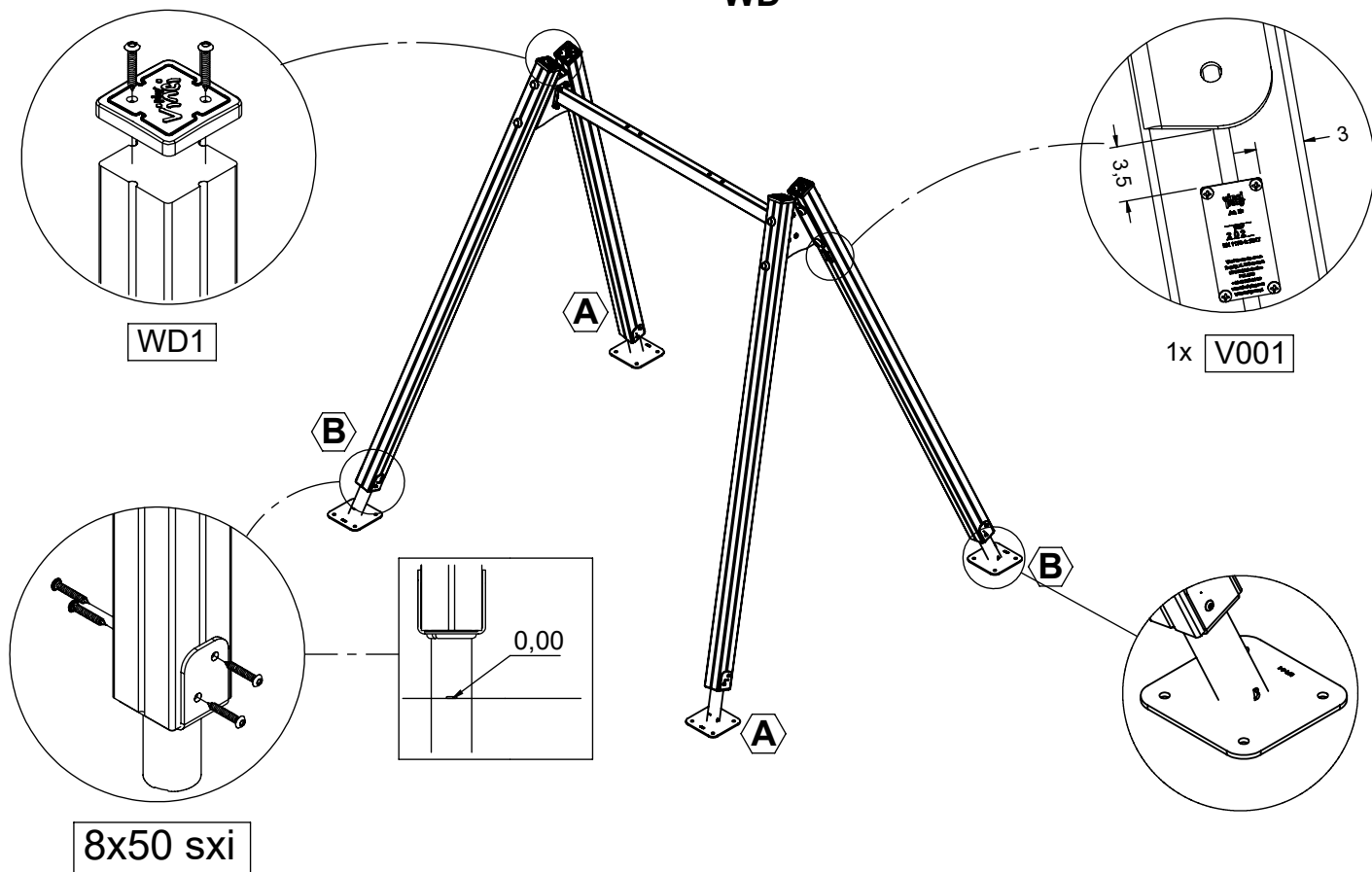


[cm]

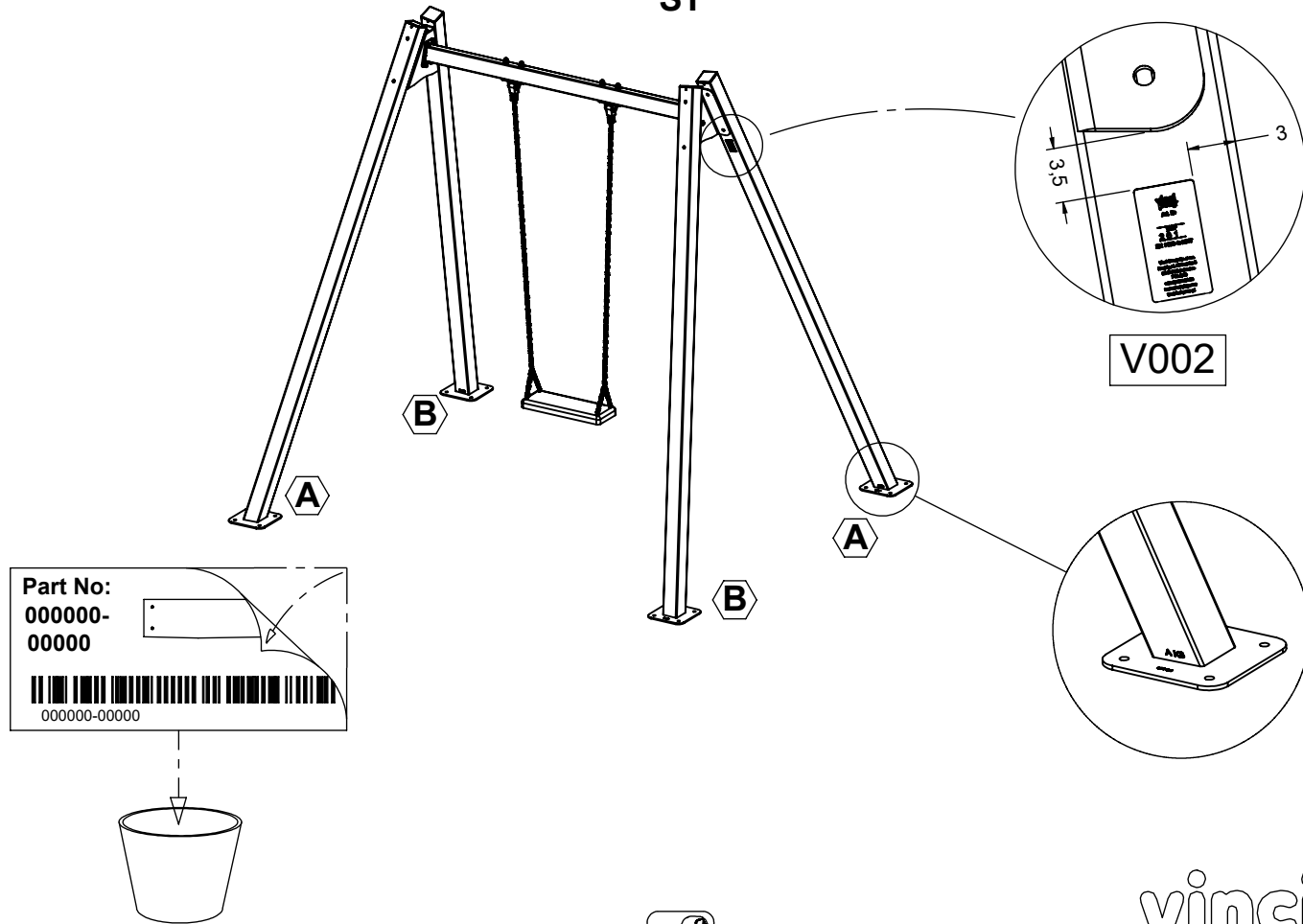


vinci
play

WD



ST

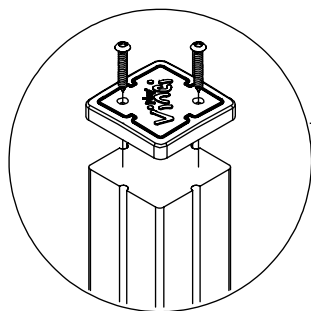


[cm]

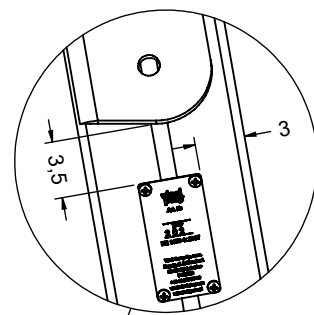


vinci
play

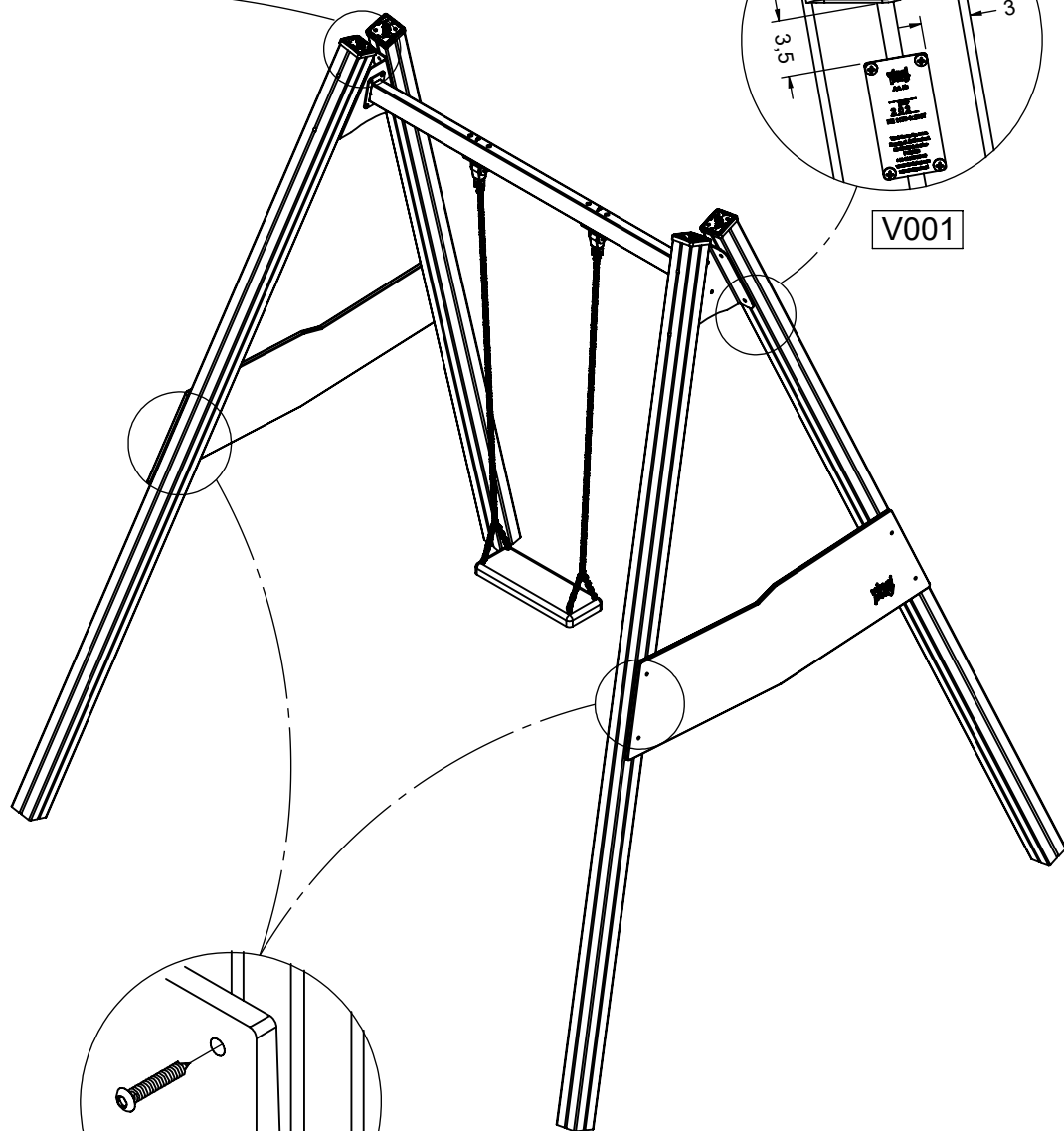
RC



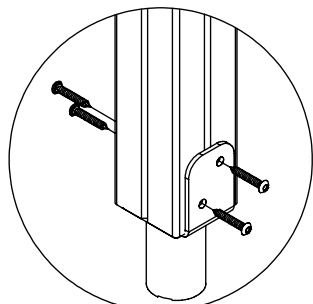
WD1



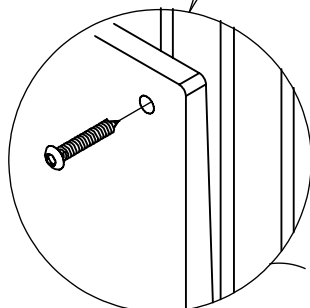
V001



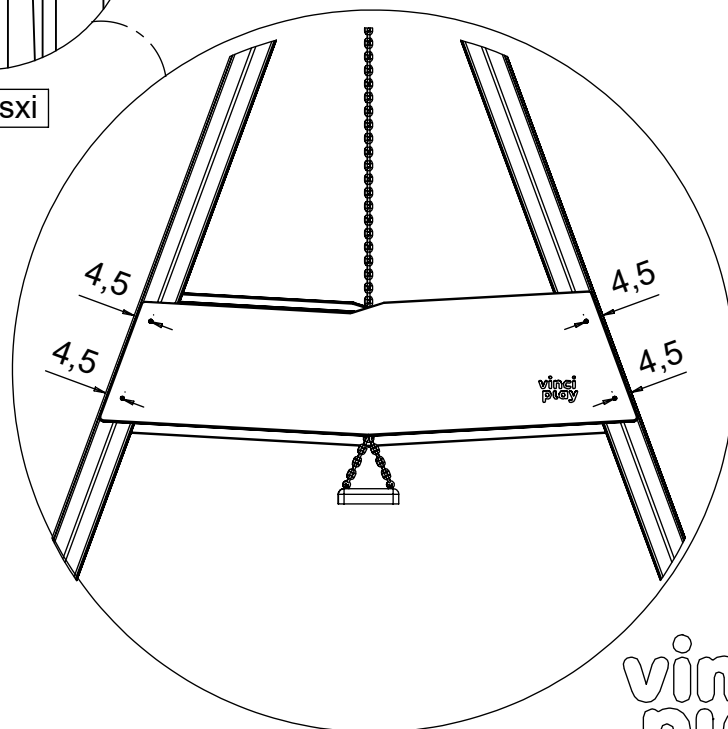
K2, K3



8x50 sxi



8x50 sxi



[cm]

vinci
play

R2

x4

x4

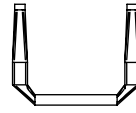
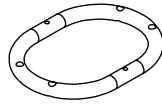
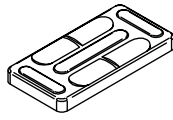
x1

x1

x1

x2

x2



A

B

C

D

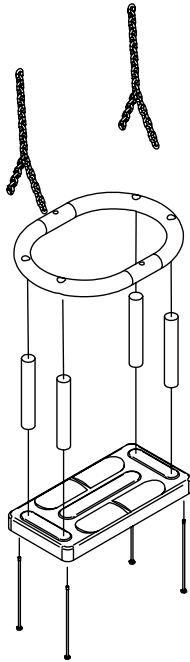
E

F

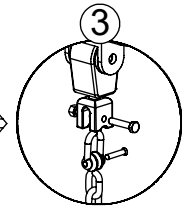
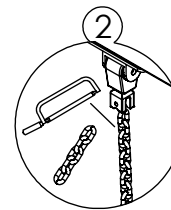
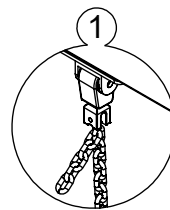
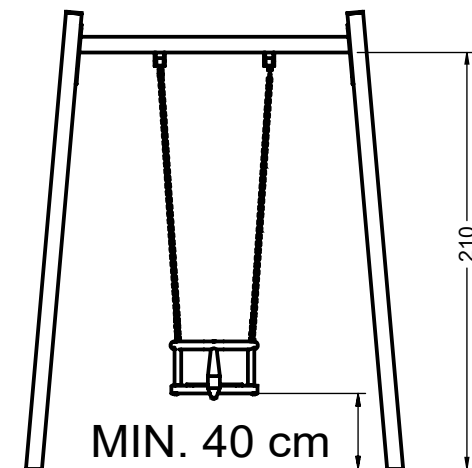
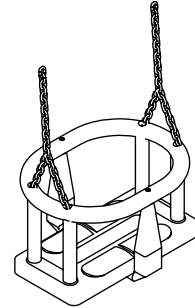
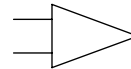
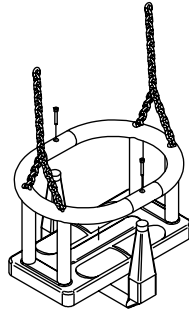
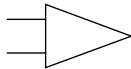
G

A + B + C + D + G

R2
E165



D + E + F

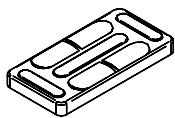


[cm]

vinci
play

R1

x1



A

x2



B

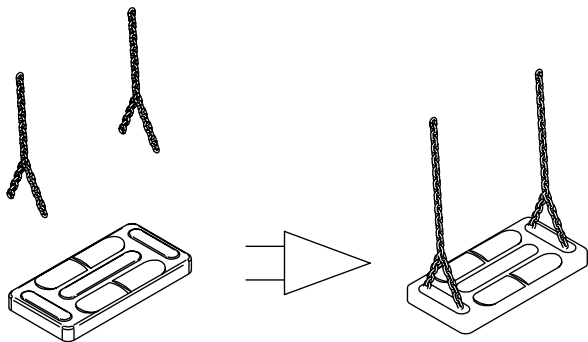
x4



C

A + B + C

R1, R5
E164



R3

x1



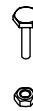
A

x2



B

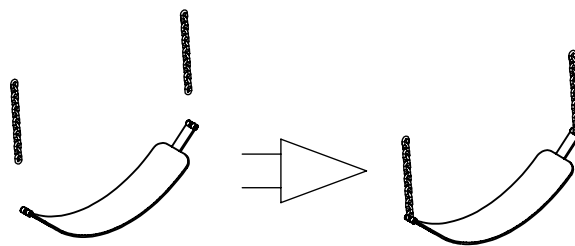
x2



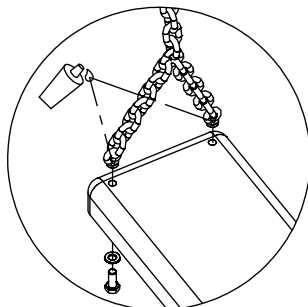
C

A + B + C

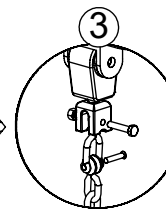
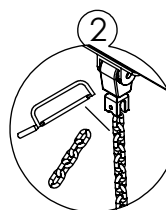
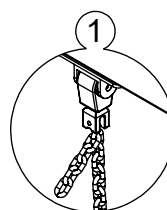
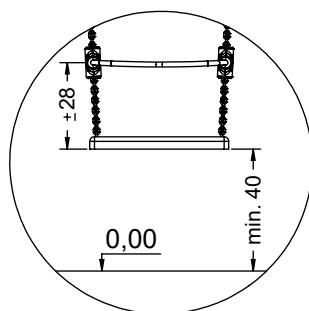
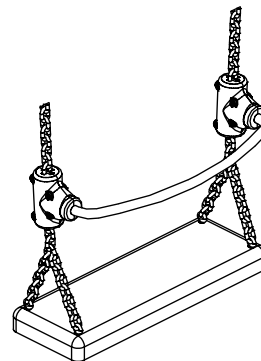
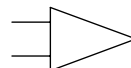
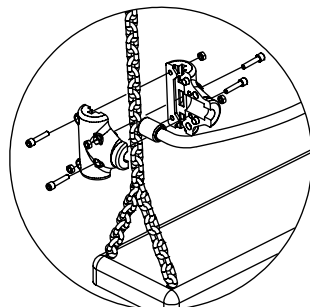
R3
E168



R5

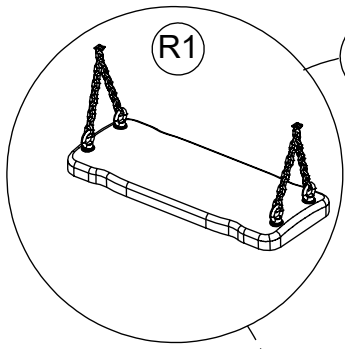


E164

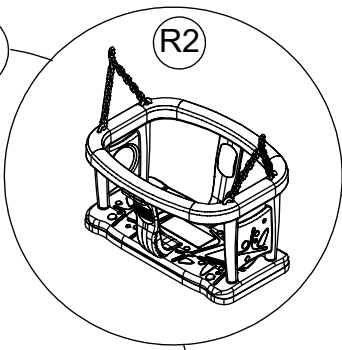


vinci play

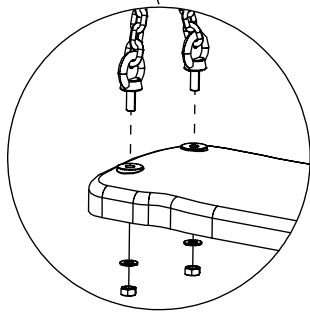
[cm]



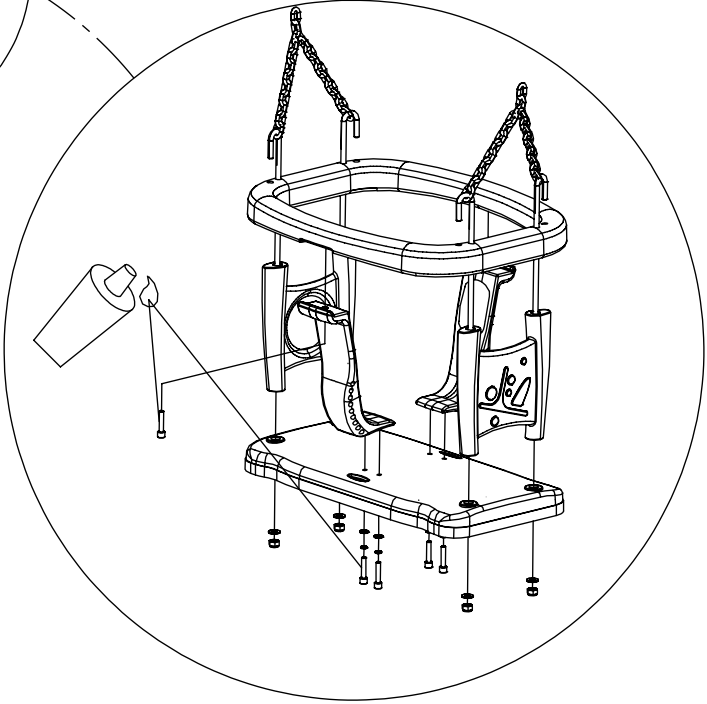
R1



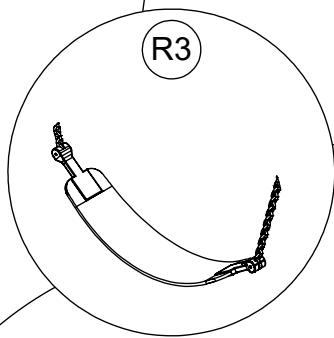
R2



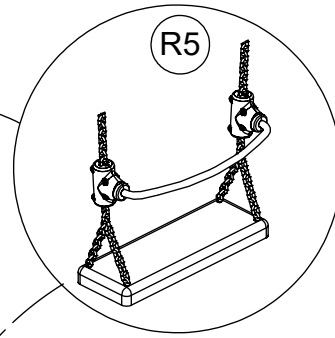
E164



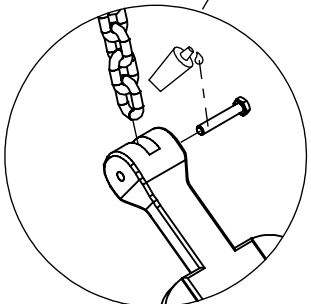
E165



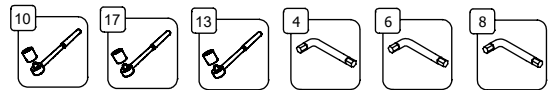
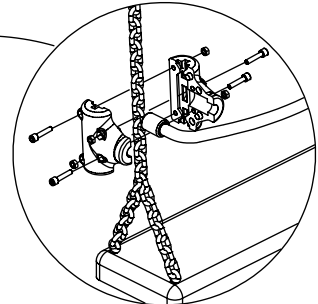
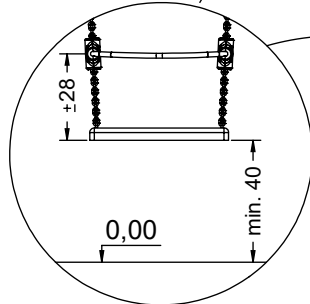
R3



R5



E166



[cm]

vinci play