

RECYCLED RC1423



3 - 12 years



7 kids



18,1 m²

Material specification

- The structure is made of a durable, moisture-resistant and low-temperature recycled composite,
- Hot-dip galvanized and powder coated or powder galvanized and powder coated or stainless steel construction elements,
- The covers are made of recycled HDPE panel, resistant to weather conditions
- Attested, safe seats,
- Calibrated stainless steel chains, preventing fingers entrapment,
- Stainless steel swing fittings,
- Stainless steel screws and/or screws covered with plastic caps,



Facilitating disability



easy access



integration



Physical development

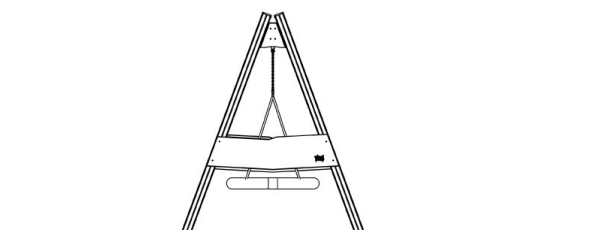
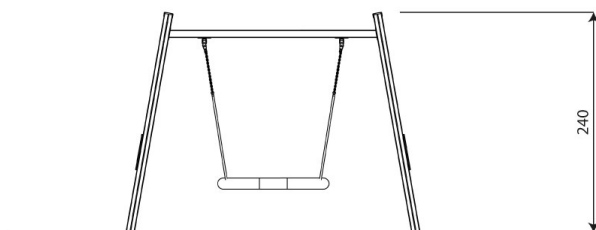
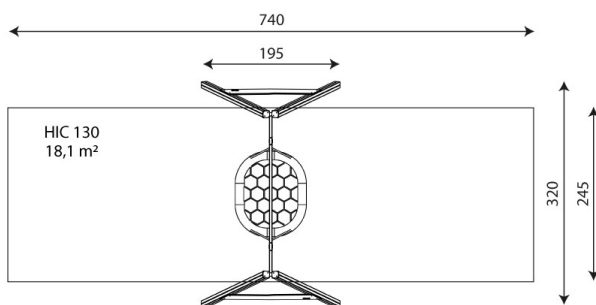


rest



rocking





Product technical sheet

RECYCLED RC1423

Product data

Length	195 cm
Width	320 cm
Total height	240 cm
Age group	3 - 12 years
Number of users	7 kids
Safety zone	18,1 m2
Free fall height	130 cm
In accordance with norm EN	1176-1:2017+A1:2023
Weight of the heaviest part	17 kg
Dimensions of the largest part	237x9x9 cm
Availability of spare parts	YES
Installation time	2 h

Data is subject to change without prior notice.

Additional information

- equipment adapted for the disabled; intended for public playgrounds;
- equipment has a certificate issued by an accredited entity or a declaration of conformity;
- no sharp edges or chinks that would pose a danger of jamming the head, fingers or any other body parts;
- render is for reference only, the actual appearance of the equipment and its color may vary;

Guarantee

30

30 year guarantee - Structural strength of steel and stainless steel components

15

15 year guarantee - Structural failure of steel and stainless steel, for dynamic equipment

10

10 year guarantee - Structural failure of high density polyethylene and high pressure laminates components

5

5 year guarantee - Corrosion of stainless steel and hot dip galvanized and powder coated components; against bark beetles and rot in case of wooden structural elements

Detailed information in the guarantee card



Surfaces according to EN 1176-1:2017+A1:2023

	Description (mm)	Layer thickness (cm)	Maximum fall heights (cm)
Turf/ top layer of soil (A,B,C)	-	-	≤100
bark (A,C)	Particle size from 20 to 80	30	≤200
		40	≤300
woodchips (A,C)	Particle size from 5 to 30	30	≤200
		40	≤300
sand or gravel (A,C)	Particle size from 0,25 to 8	30	≤200
		40	≤300
synthetic attested (A,B,C)	Tested according to EN 1177		130

Product technical sheet

RECYCLED RC1423

Amount of safe surface corresponding with free fall height:

HIC 130 18,1 m²

Data is subject to change without prior notice.

