

SWING ST0531



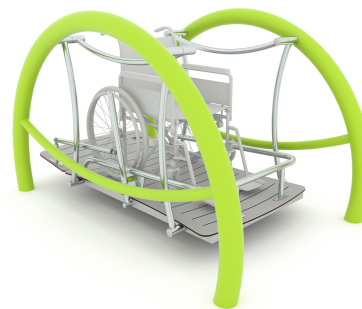
3 - 12 years



1 kids



20,7 m²



Material specification

- Hot-dip galvanized and powder coated steel construction,
- Platforms made of durable anti-slip and waterproof HPL plate,
- Stainless steel handrails,
- Moving elements based on bearings mechanism closed in casing, which do not require periodic greasing and maintenance, ensuring long service life of the device,
- Screws covered with plastic caps and/or stainless steel screws,



Facilitating disability



easy access



handrails



integration



Physical development

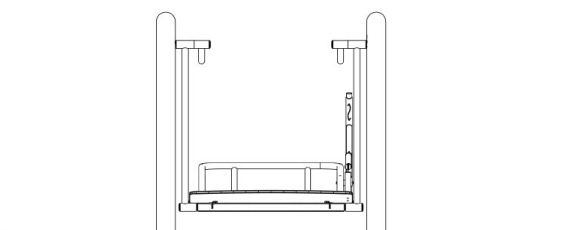
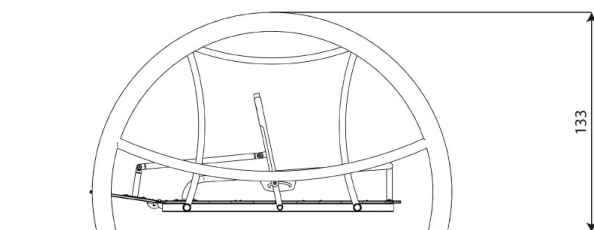
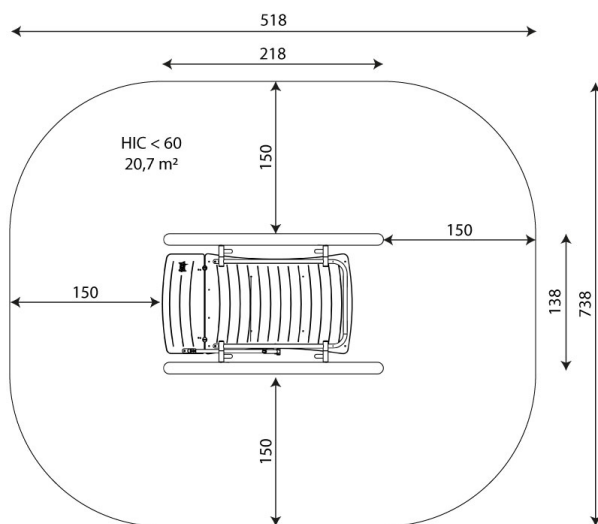


community



rocking





Product technical sheet

SWING ST0531

Product data

Length	218 cm
Width	138 cm
Total height	133 cm
Age group	3 - 12 years
Number of users	1 kids
Safety zone	20,7 m ²
Free fall height	<60 cm
The height of the platforms	14 cm
In accordance with norm EN	1176-1:2017
Weight of the heaviest part	38 kg
Dimensions of the largest part	217x23x209 cm
Availability of spare parts	YES

Color options

Data is subject to change without prior notice.

Additional information

- equipment adapted for the disabled; intended for public playgrounds;
- no sharp edges or chinks that would pose a danger of jimmieing the head, fingers or any other body parts;
- render is for reference only, the actual appearance of the equipment and its color may vary;

Guarantee

- 30** 30 year guarantee - Structural strength of steel and stainless steel components
- 15** 15 year guarantee - Structural failure of steel and stainless steel, for dynamic equipment
- 10** 10 year guarantee - Structural failure of high density polyethylene and high pressure laminates components
- 5** 5 year guarantee - Corrosion of stainless steel and hot dip galvanized and powder coated components; against bark beetles and rot in case of wooden structural elements

Detailed information in the guarantee card



Surfaces according to EN 1176-1:2017

	Description (mm)	Layer thickness (cm)	Maximum fall heights (cm)
Turf/ top layer of soil (A,B,C)	-	-	≤100
bark (A,C)	Particle size from 20 to 80	30	≤200
		40	≤300
woodchips (A,C)	Particle size from 5 to 30	30	≤200
		40	≤300
sand or gravel (A,C)	Particle size from 0,25 to 8	30	≤200
		40	≤300
synthetic attested (A,B,C)	Tested according to EN 1177		60

Product technical sheet

SWING ST0531

Amount of safe surface corresponding with free fall height:

HIC <60 20,7 m²

Data is subject to change without prior notice.

